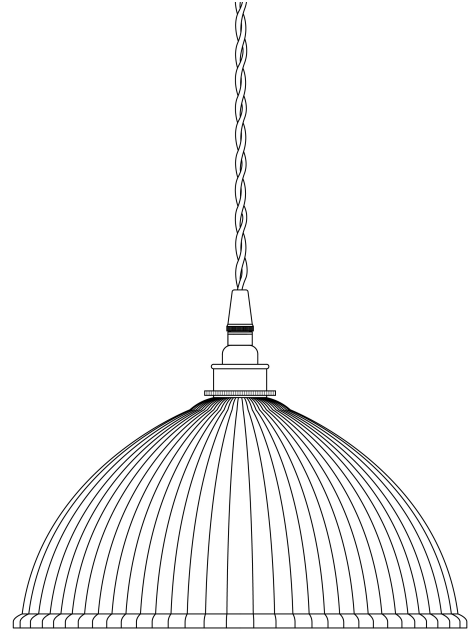


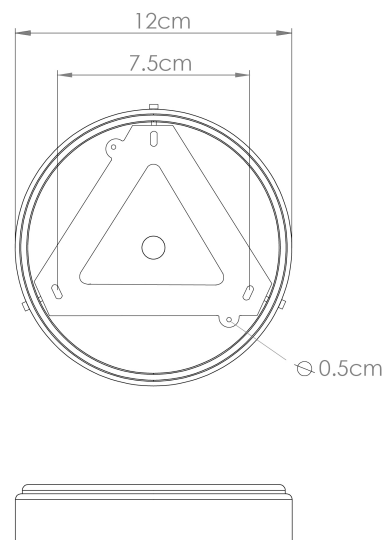
NOVA Pendant

MLP256ANTBRS Antique Brass



MATERIAL	Brass Glass
HEIGHT	8.75"
WIDTH DIAMETER	11.75"
LENGTH PROJECTION	n/a
WEIGHT	2.2 kg 4.8 lbs
LAMPHOLDER	E26
MAX WATTAGE	40W
VOLTAGE	110/120v
ENVIRONMENTAL RATING	Dry Location (IP20)
CLASS PROTECTION	Class I
SHADE	GL209
FLEX BAR CHAIN LENGTH	40"
CABLE TYPE	MLCA002 2 Core Twist Brown Braid PVC

FIXING BRACKET: MLROSE39 | Antique Brass



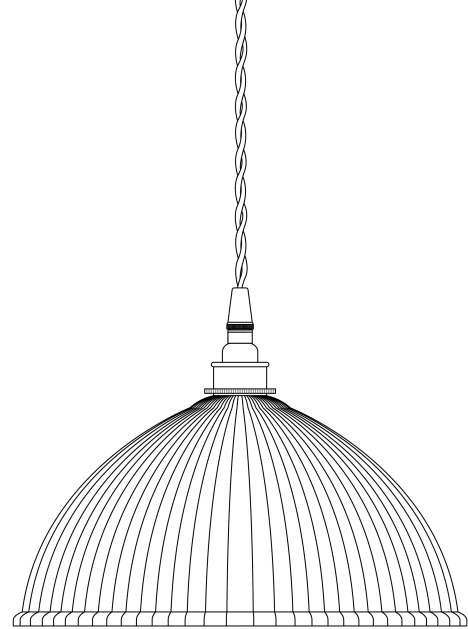
Product Notes:
 1) Bulbs not included. 2) Dimensions do not include bulbs. 3) All products are individually made-to-order and therefore may differ slightly within manufacturing tolerances. 4) Cable / chain can be shortened during installation. Longer cable / chain lengths available on request. 5) Additional color finishes may be available on request. 6) Twisted cable is not available for UL wired products. Round cable in black or brown only is supplied instead. 7) Refer to our website for a full list of terms and conditions.





NOVA Pendant

MLP256ANTSLV Antique Silver



MATERIAL Brass | Glass

HEIGHT 8.75"

WIDTH | DIAMETER 11.75"

LENGTH | PROJECTION n/a

WEIGHT 2.2 kg | 4.8 lbs

LAMPHOLDER E26

MAX WATTAGE 40W

VOLTAGE 110/120v

ENVIRONMENTAL RATING Dry Location (IP20)

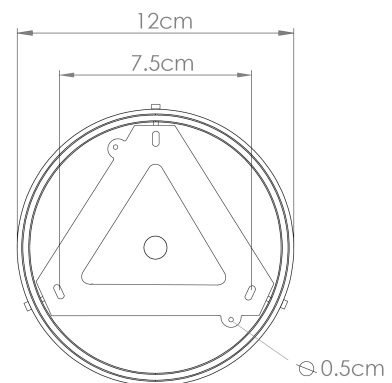
CLASS PROTECTION Class I

SHADE GL209

FLEX | BAR | CHAIN LENGTH 40"

CABLE TYPE MLCA001 | 2 Core Twist | Black Braid | PVC

FIXING BRACKET: MLROSE39 | Antique Silver



WWW.MULLANLIGHTING.COM

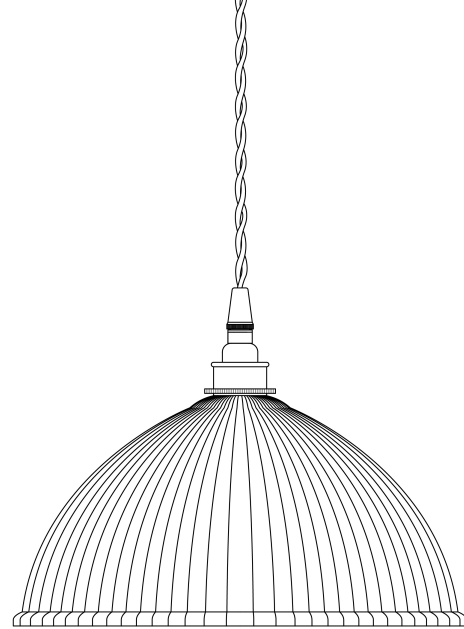
Product Notes:

1) Bulbs not included. 2) Dimensions do not include bulbs. 3) All products are individually made-to-order and therefore may differ slightly within manufacturing tolerances. 4) Cable / chain can be shortened during installation. Longer cable / chain lengths available on request. 5) Additional color finishes may be available on request. 6) Twisted cable is not available for UL wired products. Round cable in black or brown only is supplied instead. 7) Refer to our website for a full list of terms and conditions.



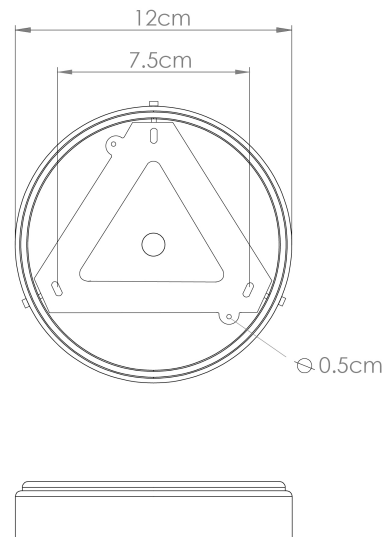
NOVA Pendant

MLP256POLBRS Polished Brass



MATERIAL	Brass Glass
HEIGHT	8.75"
WIDTH DIAMETER	11.75"
LENGTH PROJECTION	n/a
WEIGHT	2.2 kg 4.8 lbs
LAMPHOLDER	E26
MAX WATTAGE	40W
VOLTAGE	110/120v
ENVIRONMENTAL RATING	Dry Location (IP20)
CLASS PROTECTION	Class I
SHADE	GL209
FLEX BAR CHAIN LENGTH	40"
CABLE TYPE	MLCA001 2 Core Twist Black Braid PVC

FIXING BRACKET: MLROSE39 | Polished Brass



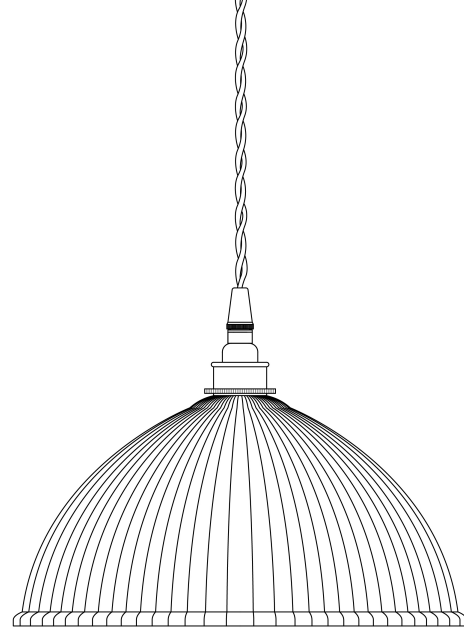
Product Notes:
 1) Bulbs not included. 2) Dimensions do not include bulbs. 3) All products are individually made-to-order and therefore may differ slightly within manufacturing tolerances. 4) Cable / chain can be shortened during installation. Longer cable / chain lengths available on request. 5) Additional color finishes may be available on request. 6) Twisted cable is not available for UL wired products. Round cable in black or brown only is supplied instead. 7) Refer to our website for a full list of terms and conditions.





NOVA Pendant

MLP256POLCHR Polished Chrome



MATERIAL Brass | Glass

HEIGHT 8.75"

WIDTH | DIAMETER 11.75"

LENGTH | PROJECTION n/a

WEIGHT 2.2 kg | 4.8 lbs

LAMPHOLDER E26

MAX WATTAGE 40W

VOLTAGE 110/120v

ENVIRONMENTAL RATING Dry Location (IP20)

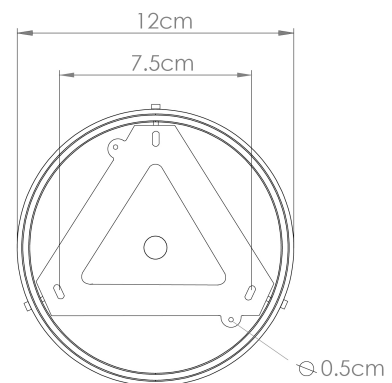
CLASS PROTECTION Class I

SHADE GL209

FLEX | BAR | CHAIN LENGTH 40"

CABLE TYPE MLCA001 | 2 Core Twist | Black Braid | PVC

FIXING BRACKET: MLROSE39 | Polished Chrome



WWW.MULLANLIGHTING.COM

Product Notes:

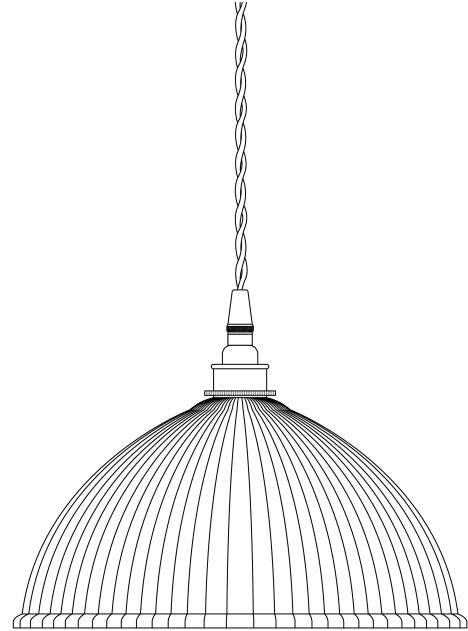
1) Bulbs not included. 2) Dimensions do not include bulbs. 3) All products are individually made-to-order and therefore may differ slightly within manufacturing tolerances. 4) Cable / chain can be shortened during installation. Longer cable / chain lengths available on request. 5) Additional color finishes may be available on request. 6) Twisted cable is not available for UL wired products. Round cable in black or brown only is supplied instead. 7) Refer to our website for a full list of terms and conditions.





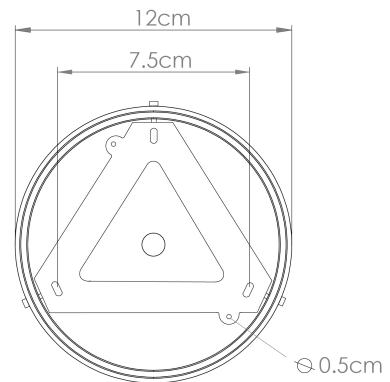
NOVA Pendant

MLP256POLCOP Polished Copper



MATERIAL	Brass Copper Glass
HEIGHT	8.75"
WIDTH DIAMETER	11.75"
LENGTH PROJECTION	n/a
WEIGHT	2.2 kg 4.8 lbs
LAMPHOLDER	E26
MAX WATTAGE	40W
VOLTAGE	110/120v
ENVIRONMENTAL RATING	Dry Location (IP20)
CLASS PROTECTION	Class I
SHADE	GL209
FLEX BAR CHAIN LENGTH	40"
CABLE TYPE	MLCA001 2 Core Twist Black Braid PVC

FIXING BRACKET: MLROSE39 | Copper



WWW.MULLANLIGHTING.COM

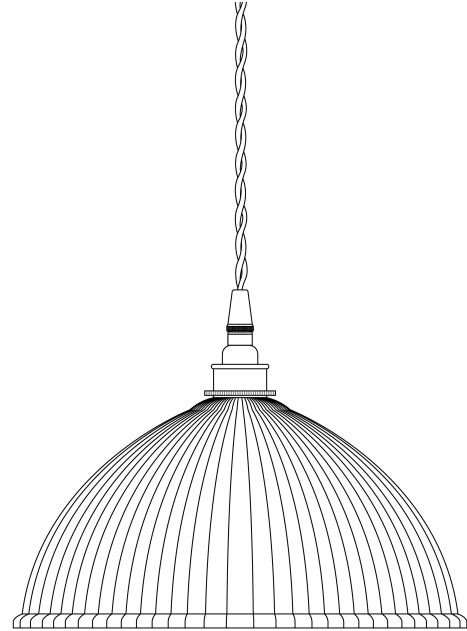
Product Notes:

1) Bulbs not included. 2) Dimensions do not include bulbs. 3) All products are individually made-to-order and therefore may differ slightly within manufacturing tolerances. 4) Cable / chain can be shortened during installation. Longer cable / chain lengths available on request. 5) Additional color finishes may be available on request. 6) Twisted cable is not available for UL wired products. Round cable in black or brown only is supplied instead. 7) Refer to our website for a full list of terms and conditions.



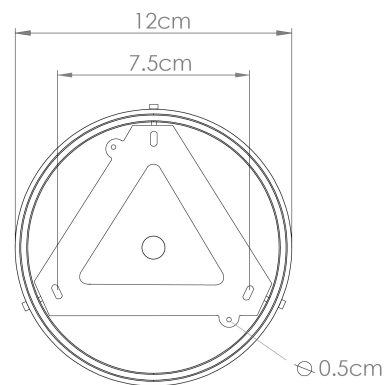
NOVA Pendant

MLP256SATBRS Satin Brass



MATERIAL	Brass Glass
HEIGHT	8.75"
WIDTH DIAMETER	11.75"
LENGTH PROJECTION	n/a
WEIGHT	2.2 kg 4.8 lbs
LAMPHOLDER	E26
MAX WATTAGE	40W
VOLTAGE	110/120v
ENVIRONMENTAL RATING	Dry Location (IP20)
CLASS PROTECTION	Class I
SHADE	GL209
FLEX BAR CHAIN LENGTH	40"
CABLE TYPE	MLCA001 2 Core Twist Black Braid PVC

FIXING BRACKET: MLROSE39 | Satin Brass

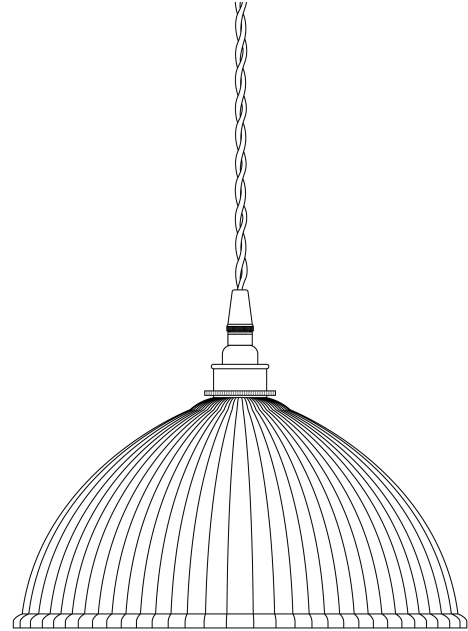


Product Notes:
 1) Bulbs not included. 2) Dimensions do not include bulbs. 3) All products are individually made-to-order and therefore may differ slightly within manufacturing tolerances. 4) Cable / chain can be shortened during installation. Longer cable / chain lengths available on request. 5) Additional color finishes may be available on request. 6) Twisted cable is not available for UL wired products. Round cable in black or brown only is supplied instead. 7) Refer to our website for a full list of terms and conditions.



NOVA Pendant

MLP256SATCHR Satin Chrome



MATERIAL	Brass Glass
HEIGHT	8.75"
WIDTH DIAMETER	11.75"
LENGTH PROJECTION	n/a
WEIGHT	2.2 kg 4.8 lbs
LAMPHOLDER	E26
MAX WATTAGE	40W
VOLTAGE	110/120v
ENVIRONMENTAL RATING	Dry Location (IP20)
CLASS PROTECTION	Class I
SHADE	GL025
FLEX BAR CHAIN LENGTH	40"
CABLE TYPE	MLCA001 2 Core Twist Black Braid PVC

FIXING BRACKET: MLROSE39 | Satin Chrome

