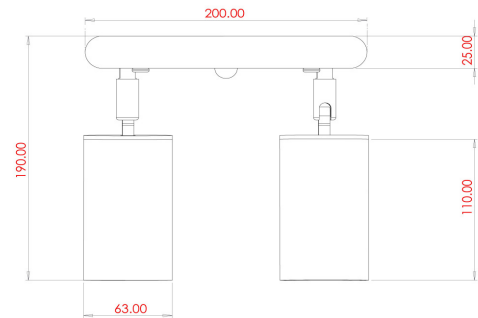


EVANSTON Ceiling Light

MLCF132ANTBRS Antique Brass



MATERIAL	Brass
HEIGHT	19cm 7.48"
WIDTH DIAMETER	20cm 7.87"
LENGTH PROJECTION	n/a
WEIGHT	1.65KG 3.64lbs
LAMP HOLDER	GU10
MAX WATTAGE	5W x 2
VOLTAGE	220/240v or 110/120v *
IP RATING	20
CLASS PROTECTION	I
SHADE CODE	-
CABLE CHAIN BAR LENGT	n/a
CABLE TYPE	MLCA009

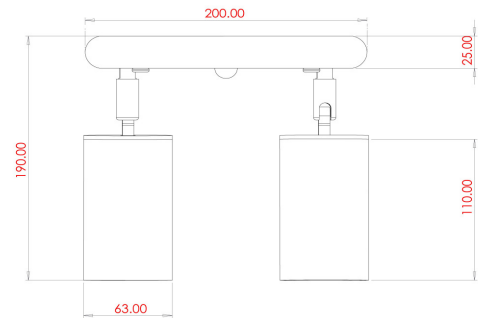
Fixing Bracket MLWB27ANTBRS
 * Fixing bracket may differ for UL wired products.

Product Notes:

1) Bulbs not included. 2) Dimensions do not include bulbs. 3) All products are individually made-to-order and therefore may differ slightly within manufacturing tolerances. 4) Cable / chain can be shortened during installation. Longer cable / chain lengths available on request. 5) Additional colour finishes may be available on request. 6) UL wired products operate at 110/120v with the appropriate lamp holder. 7) Twisted cable is not available for UL wired products. Round cable in black or brown only is supplied instead. 8) Refer to our website for a full list of terms and conditions.

EVANSTON Ceiling Light

MLCF132ANTSLV Antique Silver



MATERIAL	Brass
HEIGHT	19cm 7.48"
WIDTH DIAMETER	20cm 7.87"
LENGTH PROJECTION	n/a
WEIGHT	1.65KG 3.64lbs
LAMP HOLDER	GU10
MAX WATTAGE	5W x 2
VOLTAGE	220/240v or 110/120v*
IP RATING	20
CLASS PROTECTION	I
SHADE CODE	-
CABLE CHAIN BAR LENGT	n/a
CABLE TYPE	MLCA009

Fixing Bracket MLWB27ANTSLV
 * Fixing bracket may differ for UL wired products.



Product Notes:

1) Bulbs not included. 2) Dimensions do not include bulbs. 3) All products are individually made-to-order and therefore may differ slightly within manufacturing tolerances. 4) Cable / chain can be shortened during installation. Longer cable / chain lengths available on request. 5) Additional colour finishes may be available on request. 6) UL wired products operate at 110/120v with the appropriate lamp holder. 7) Twisted cable is not available for UL wired products. Round cable in black or brown only is supplied instead. 8) Refer to our website for a full list of terms and conditions.



EVANSTON Ceiling Light

MLCF132PCMBK Matt Black



MATERIAL	Brass	Fixing Bracket MLWB27PCMBK
HEIGHT	19cm 7.48"	* Fixing bracket may differ for UL wired products.
WIDTH DIAMETER	20cm 7.87"	
LENGTH PROJECTION	n/a	
WEIGHT	1.65KG 3.64lbs	
LAMP HOLDER	GU10	
MAX WATTAGE	5W x 2	
VOLTAGE	220/240v or 110/120v *	
IP RATING	20	
CLASS PROTECTION	I	
SHADE CODE	-	
CABLE CHAIN BAR LENGT	n/a	
CABLE TYPE	MLCA009	

Product Notes:

1) Bulbs not included. 2) Dimensions do not include bulbs. 3) All products are individually made-to-order and therefore may differ slightly within manufacturing tolerances. 4) Cable / chain can be shortened during installation. Longer cable / chain lengths available on request. 5) Additional colour finishes may be available on request. 6) UL wired products operate at 110/120v with the appropriate lamp holder. 7) Twisted cable is not available for UL wired products. Round cable in black or brown only is supplied instead. 8) Refer to our website for a full list of terms and conditions.

EVANSTON Ceiling Light

MLCF132PCWTE White



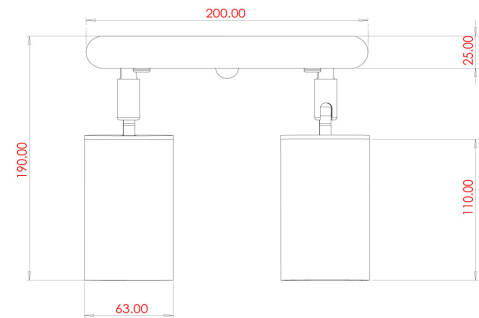
MATERIAL	Brass	Fixing Bracket MLWB27PCWTE
HEIGHT	19cm 7.48"	* Fixing bracket may differ for UL wired products.
WIDTH DIAMETER	20cm 7.87"	
LENGTH PROJECTION	n/a	
WEIGHT	1.65KG 3.64lbs	
LAMP HOLDER	GU10	
MAX WATTAGE	5W x 2	
VOLTAGE	220/240v or 110/120v *	
IP RATING	20	
CLASS PROTECTION	I	
SHADE CODE	-	
CABLE CHAIN BAR LENGT	n/a	
CABLE TYPE	MLCA009	

Product Notes:

1) Bulbs not included. 2) Dimensions do not include bulbs. 3) All products are individually made-to-order and therefore may differ slightly within manufacturing tolerances. 4) Cable / chain can be shortened during installation. Longer cable / chain lengths available on request. 5) Additional colour finishes may be available on request. 6) UL wired products operate at 110/120v with the appropriate lamp holder. 7) Twisted cable is not available for UL wired products. Round cable in black or brown only is supplied instead. 8) Refer to our website for a full list of terms and conditions.

EVANSTON Ceiling Light

MLCF132POLBRS Polished Brass



MATERIAL	Brass
HEIGHT	19cm 7.48"
WIDTH DIAMETER	20cm 7.87"
LENGTH PROJECTION	n/a
WEIGHT	1.65KG 3.64lbs
LAMP HOLDER	GU10
MAX WATTAGE	5W x 2
VOLTAGE	220/240v or 110/120v *
IP RATING	20
CLASS PROTECTION	I
SHADE CODE	-
CABLE CHAIN BAR LENGT	n/a
CABLE TYPE	MLCA009

Fixing Bracket MLWB27POLBRS

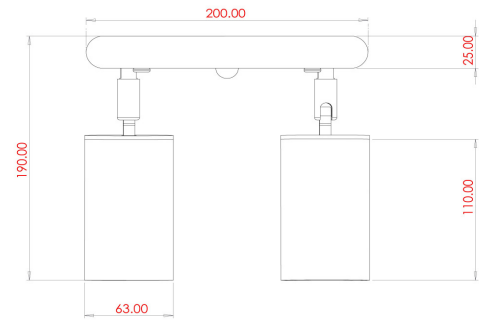
* Fixing bracket may differ for UL wired products.

Product Notes:

1) Bulbs not included. 2) Dimensions do not include bulbs. 3) All products are individually made-to-order and therefore may differ slightly within manufacturing tolerances. 4) Cable / chain can be shortened during installation. Longer cable / chain lengths available on request. 5) Additional colour finishes may be available on request. 6) UL wired products operate at 110/120v with the appropriate lamp holder. 7) Twisted cable is not available for UL wired products. Round cable in black or brown only is supplied instead. 8) Refer to our website for a full list of terms and conditions.

EVANSTON Ceiling Light

MLCF132SATBRS Satin Brass



MATERIAL	Brass
HEIGHT	19cm 7.48"
WIDTH DIAMETER	20cm 7.87"
LENGTH PROJECTION	n/a
WEIGHT	1.65KG 3.64lbs
LAMP HOLDER	GU10
MAX WATTAGE	5W x 2
VOLTAGE	220/240v or 110/120v *
IP RATING	20
CLASS PROTECTION	I
SHADE CODE	-
CABLE CHAIN BAR LENGT	n/a
CABLE TYPE	MLCA009

Fixing Bracket MLWB27SATBRS

* Fixing bracket may differ for UL wired products.

Product Notes:

1) Bulbs not included. 2) Dimensions do not include bulbs. 3) All products are individually made-to-order and therefore may differ slightly within manufacturing tolerances. 4) Cable / chain can be shortened during installation. Longer cable / chain lengths available on request. 5) Additional colour finishes may be available on request. 6) UL wired products operate at 110/120v with the appropriate lamp holder. 7) Twisted cable is not available for UL wired products. Round cable in black or brown only is supplied instead. 8) Refer to our website for a full list of terms and conditions.