

## MATLOCK Pendant

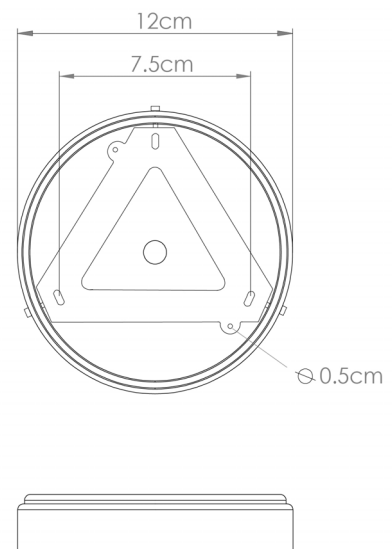
MLP481ANTBRS Antique Brass



MATERIAL	Brass
HEIGHT	46.5cm   18.31"
WIDTH   DIAMETER	50cm   19.69"
LENGTH   PROJECTION	n/a
WEIGHT	2KG   4.41lbs
LAMP HOLDER	E27 or E26 *
MAX WATTAGE	40W x 1
VOLTAGE	220/240v or 110/120v *
IP RATING	20
CLASS PROTECTION	I
SHADE CODE	-
CABLE   CHAIN   BAR LENGT	100cm   40"
CABLE TYPE	MLCA036   3 Core Round   Brown   PVC

Fixing Bracket MLROSE39 | Antique Brass

\* Fixing bracket may differ for UL wired products.



Product Notes:

1) Bulbs not included. 2) Dimensions do not include bulbs. 3) All products are individually made-to-order and therefore may differ slightly within manufacturing tolerances. 4) Cable / chain can be shortened during installation. Longer cable / chain lengths available on request. 5) Additional colour finishes may be available on request. 6) UL wired products operate at 110/120v with the appropriate lamp holder. 7) Twisted cable is not available for UL wired products. Round cable in black or brown only is supplied instead. 8) Refer to our website for a full list of terms and conditions.

## MATLOCK Pendant

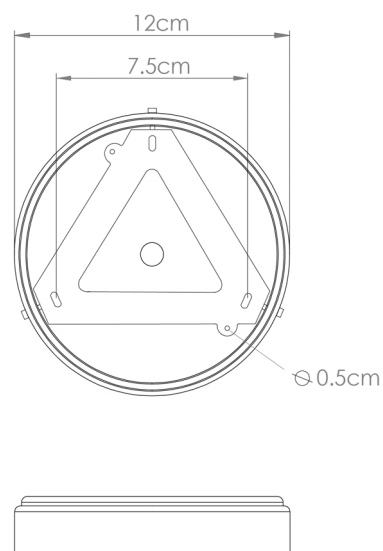
MLP481ANTBRSPCCRM Antique Brass



MATERIAL	Brass
HEIGHT	46.5cm   18.31"
WIDTH   DIAMETER	50cm   19.69"
LENGTH   PROJECTION	n/a
WEIGHT	2KG   4.41lbs
LAMP HOLDER	E27 or E26 *
MAX WATTAGE	40W x 1
VOLTAGE	220/240v or 110/120v *
IP RATING	20
CLASS PROTECTION	I
SHADE CODE	-
CABLE   CHAIN   BAR LENGT	100cm   40"
CABLE TYPE	MLCA036   3 Core Round   Brown   PVC

Fixing Bracket MLROSE39 | Antique Brass

\* Fixing bracket may differ for UL wired products.



Product Notes:

1) Bulbs not included. 2) Dimensions do not include bulbs. 3) All products are individually made-to-order and therefore may differ slightly within manufacturing tolerances. 4) Cable / chain can be shortened during installation. Longer cable / chain lengths available on request. 5) Additional colour finishes may be available on request. 6) UL wired products operate at 110/120v with the appropriate lamp holder. 7) Twisted cable is not available for UL wired products. Round cable in black or brown only is supplied instead. 8) Refer to our website for a full list of terms and conditions.

## MATLOCK Pendant

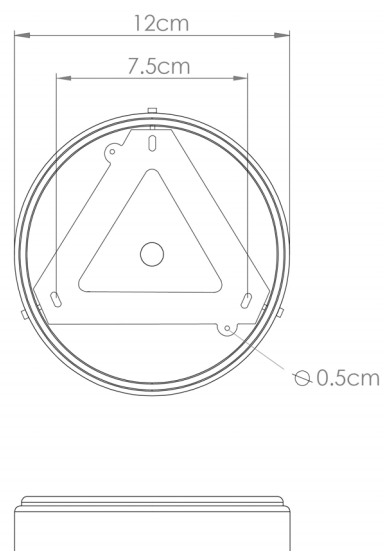
MLP481ANTBRSPCMAP Antique Brass



MATERIAL	Brass
HEIGHT	46.5cm   18.31"
WIDTH   DIAMETER	50cm   19.69"
LENGTH   PROJECTION	n/a
WEIGHT	2KG   4.41lbs
LAMP HOLDER	E27 or E26 *
MAX WATTAGE	40W x 1
VOLTAGE	220/240v or 110/120v *
IP RATING	20
CLASS PROTECTION	I
SHADE CODE	-
CABLE   CHAIN   BAR LENGT	100cm   40"
CABLE TYPE	MLCA036   3 Core Round   Brown   PVC

Fixing Bracket MLROSE39 | Antique Brass

\* Fixing bracket may differ for UL wired products.



Product Notes:

1) Bulbs not included. 2) Dimensions do not include bulbs. 3) All products are individually made-to-order and therefore may differ slightly within manufacturing tolerances. 4) Cable / chain can be shortened during installation. Longer cable / chain lengths available on request. 5) Additional colour finishes may be available on request. 6) UL wired products operate at 110/120v with the appropriate lamp holder. 7) Twisted cable is not available for UL wired products. Round cable in black or brown only is supplied instead. 8) Refer to our website for a full list of terms and conditions.

## MATLOCK Pendant

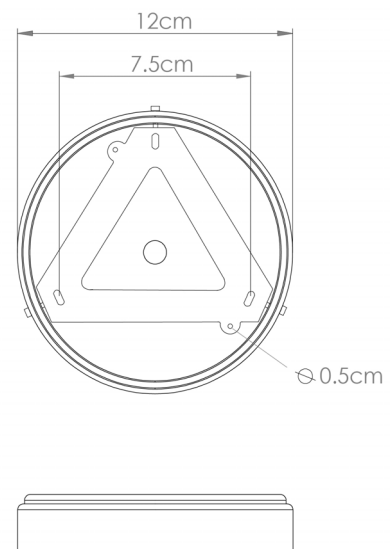
MLP481ANTBRSPCMHY Antique Brass



MATERIAL	Brass
HEIGHT	46.5cm   18.31"
WIDTH   DIAMETER	50cm   19.69"
LENGTH   PROJECTION	n/a
WEIGHT	2KG   4.41lbs
LAMP HOLDER	E27 or E26 *
MAX WATTAGE	40W x 1
VOLTAGE	220/240v or 110/120v *
IP RATING	20
CLASS PROTECTION	I
SHADE CODE	-
CABLE   CHAIN   BAR LENGT	100cm   40"
CABLE TYPE	MLCA036   3 Core Round   Brown   PVC

Fixing Bracket MLROSE39 | Antique Brass

\* Fixing bracket may differ for UL wired products.



Product Notes:

1) Bulbs not included. 2) Dimensions do not include bulbs. 3) All products are individually made-to-order and therefore may differ slightly within manufacturing tolerances. 4) Cable / chain can be shortened during installation. Longer cable / chain lengths available on request. 5) Additional colour finishes may be available on request. 6) UL wired products operate at 110/120v with the appropriate lamp holder. 7) Twisted cable is not available for UL wired products. Round cable in black or brown only is supplied instead. 8) Refer to our website for a full list of terms and conditions.

## MATLOCK Pendant

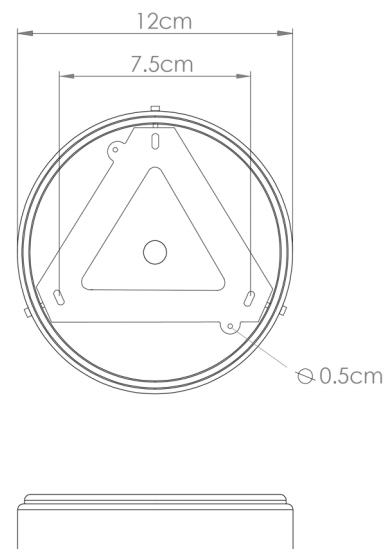
MLP481ANTBRSPCMMT    Antique Brass



MATERIAL	Brass
HEIGHT	46.5cm   18.31"
WIDTH   DIAMETER	50cm   19.69"
LENGTH   PROJECTION	n/a
WEIGHT	2KG   4.41lbs
LAMP HOLDER	E27 or E26 *
MAX WATTAGE	40W x 1
VOLTAGE	220/240v or 110/120v *
IP RATING	20
CLASS PROTECTION	I
SHADE CODE	-
CABLE   CHAIN   BAR LENGT	100cm   40"
CABLE TYPE	MLCA036   3 Core Round   Brown   PVC

Fixing Bracket MLROSE39 | Antique Brass

\* Fixing bracket may differ for UL wired products.



Product Notes:

1) Bulbs not included. 2) Dimensions do not include bulbs. 3) All products are individually made-to-order and therefore may differ slightly within manufacturing tolerances. 4) Cable / chain can be shortened during installation. Longer cable / chain lengths available on request. 5) Additional colour finishes may be available on request. 6) UL wired products operate at 110/120v with the appropriate lamp holder. 7) Twisted cable is not available for UL wired products. Round cable in black or brown only is supplied instead. 8) Refer to our website for a full list of terms and conditions.

# MATLOCK Pendant

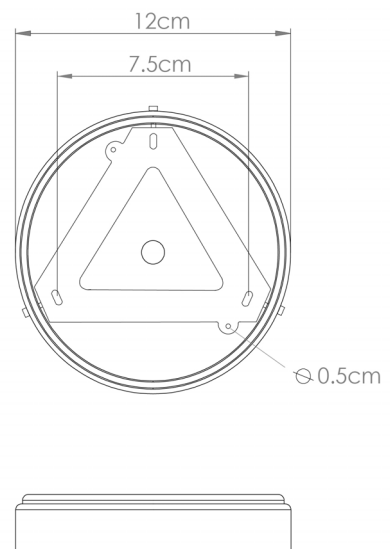
MLP481ANTBRSPCMSB    Antique Brass



MATERIAL	Brass
HEIGHT	46.5cm   18.31"
WIDTH   DIAMETER	50cm   19.69"
LENGTH   PROJECTION	n/a
WEIGHT	2KG   4.41lbs
LAMP HOLDER	E27 or E26 *
MAX WATTAGE	40W x 1
VOLTAGE	220/240v or 110/120v *
IP RATING	20
CLASS PROTECTION	I
SHADE CODE	-
CABLE   CHAIN   BAR LENGT	100cm   40"
CABLE TYPE	MLCA036   3 Core Round   Brown   PVC

**Fixing Bracket** MLROSE39 | Antique Brass

\* Fixing bracket may differ for UL wired products.



**Product Notes:**

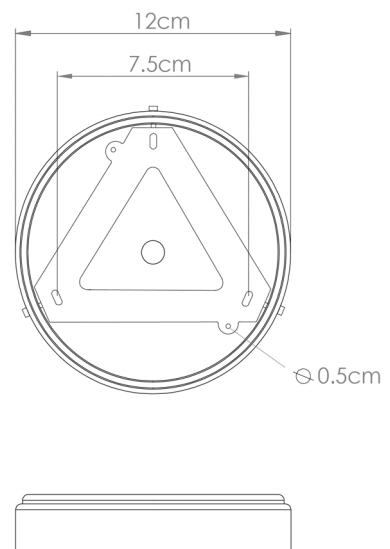
1) Bulbs not included. 2) Dimensions do not include bulbs. 3) All products are individually made-to-order and therefore may differ slightly within manufacturing tolerances. 4) Cable / chain can be shortened during installation. Longer cable / chain lengths available on request. 5) Additional colour finishes may be available on request. 6) UL wired products operate at 110/120v with the appropriate lamp holder. 7) Twisted cable is not available for UL wired products. Round cable in black or brown only is supplied instead. 8) Refer to our website for a full list of terms and conditions.



MATERIAL	Brass
HEIGHT	46.5cm   18.31"
WIDTH   DIAMETER	50cm   19.69"
LENGTH   PROJECTION	n/a
WEIGHT	2KG   4.41lbs
LAMP HOLDER	E27 or E26 *
MAX WATTAGE	40W x 1
VOLTAGE	220/240v or 110/120v *
IP RATING	20
CLASS PROTECTION	I
SHADE CODE	-
CABLE   CHAIN   BAR LENGT	100cm   40"
CABLE TYPE	MLCA036   3 Core Round   Brown   PVC

**Fixing Bracket** MLROSE39 | Antique Brass

\* Fixing bracket may differ for UL wired products.



**Product Notes:**

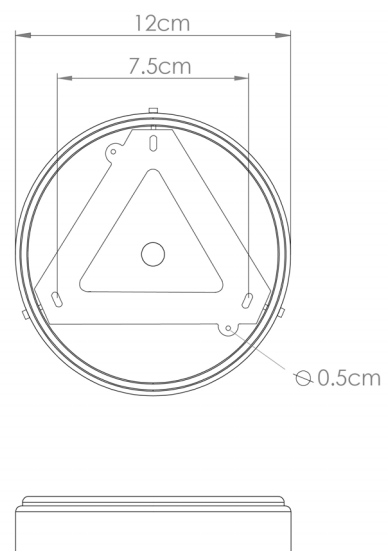
1) Bulbs not included. 2) Dimensions do not include bulbs. 3) All products are individually made-to-order and therefore may differ slightly within manufacturing tolerances. 4) Cable / chain can be shortened during installation. Longer cable / chain lengths available on request. 5) Additional colour finishes may be available on request. 6) UL wired products operate at 110/120v with the appropriate lamp holder. 7) Twisted cable is not available for UL wired products. Round cable in black or brown only is supplied instead. 8) Refer to our website for a full list of terms and conditions.



MATERIAL	Brass
HEIGHT	46.5cm   18.31"
WIDTH   DIAMETER	50cm   19.69"
LENGTH   PROJECTION	n/a
WEIGHT	2KG   4.41lbs
LAMP HOLDER	E27 or E26 *
MAX WATTAGE	40W x 1
VOLTAGE	220/240v or 110/120v *
IP RATING	20
CLASS PROTECTION	I
SHADE CODE	-
CABLE   CHAIN   BAR LENGT	100cm   40"
CABLE TYPE	MLCA036   3 Core Round   Brown   PVC

**Fixing Bracket** MLROSE39 | Antique Brass

\* Fixing bracket may differ for UL wired products.



**Product Notes:**

1) Bulbs not included. 2) Dimensions do not include bulbs. 3) All products are individually made-to-order and therefore may differ slightly within manufacturing tolerances. 4) Cable / chain can be shortened during installation. Longer cable / chain lengths available on request. 5) Additional colour finishes may be available on request. 6) UL wired products operate at 110/120v with the appropriate lamp holder. 7) Twisted cable is not available for UL wired products. Round cable in black or brown only is supplied instead. 8) Refer to our website for a full list of terms and conditions.



## MATLOCK Pendant

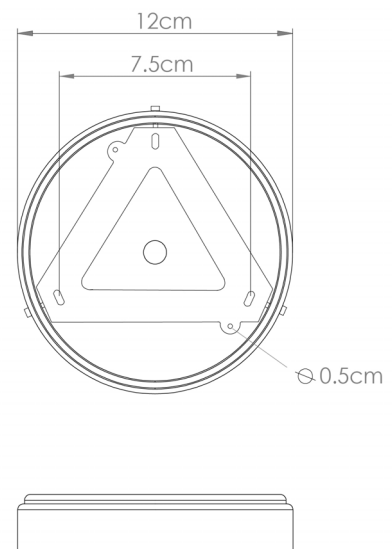
MLP481ANTSLVPCMAP Antique Silver



MATERIAL	Brass
HEIGHT	46.5cm   18.31"
WIDTH   DIAMETER	50cm   19.69"
LENGTH   PROJECTION	n/a
WEIGHT	2KG   4.41lbs
LAMP HOLDER	E27 or E26 *
MAX WATTAGE	40W x 1
VOLTAGE	220/240v or 110/120v *
IP RATING	20
CLASS PROTECTION	I
SHADE CODE	-
CABLE   CHAIN   BAR LENGT	100cm   40"
CABLE TYPE	MLCA013   3 Core Round   Clear   PVC

Fixing Bracket MLROSE39 | Antique Silver

\* Fixing bracket may differ for UL wired products.



Product Notes:

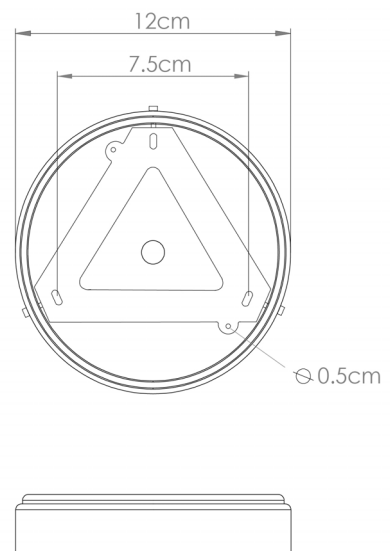
1) Bulbs not included. 2) Dimensions do not include bulbs. 3) All products are individually made-to-order and therefore may differ slightly within manufacturing tolerances. 4) Cable / chain can be shortened during installation. Longer cable / chain lengths available on request. 5) Additional colour finishes may be available on request. 6) UL wired products operate at 110/120v with the appropriate lamp holder. 7) Twisted cable is not available for UL wired products. Round cable in black or brown only is supplied instead. 8) Refer to our website for a full list of terms and conditions.



MATERIAL	Brass
HEIGHT	46.5cm   18.31"
WIDTH   DIAMETER	50cm   19.69"
LENGTH   PROJECTION	n/a
WEIGHT	2KG   4.41lbs
LAMP HOLDER	E27 or E26 *
MAX WATTAGE	40W x 1
VOLTAGE	220/240v or 110/120v *
IP RATING	20
CLASS PROTECTION	I
SHADE CODE	-
CABLE   CHAIN   BAR LENGT	100cm   40"
CABLE TYPE	MLCA013   3 Core Round   Clear   PVC

**Fixing Bracket** MLROSE39 | Antique Silver

\* Fixing bracket may differ for UL wired products.



**Product Notes:**

1) Bulbs not included. 2) Dimensions do not include bulbs. 3) All products are individually made-to-order and therefore may differ slightly within manufacturing tolerances. 4) Cable / chain can be shortened during installation. Longer cable / chain lengths available on request. 5) Additional colour finishes may be available on request. 6) UL wired products operate at 110/120v with the appropriate lamp holder. 7) Twisted cable is not available for UL wired products. Round cable in black or brown only is supplied instead. 8) Refer to our website for a full list of terms and conditions.

## MATLOCK Pendant

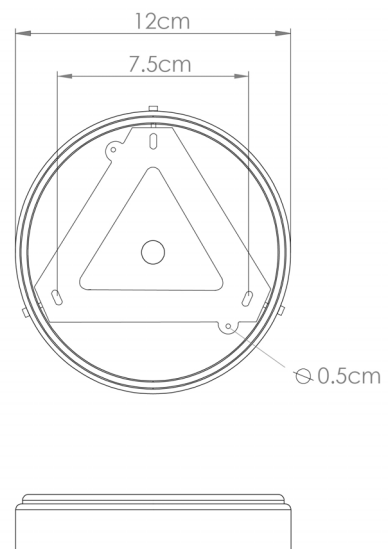
MLP481ANTSLVPCMMT Antique Silver



MATERIAL	Brass
HEIGHT	46.5cm   18.31"
WIDTH   DIAMETER	50cm   19.69"
LENGTH   PROJECTION	n/a
WEIGHT	2KG   4.41lbs
LAMP HOLDER	E27 or E26 *
MAX WATTAGE	40W x 1
VOLTAGE	220/240v or 110/120v *
IP RATING	20
CLASS PROTECTION	I
SHADE CODE	-
CABLE   CHAIN   BAR LENGT	100cm   40"
CABLE TYPE	MLCA013   3 Core Round   Clear   PVC

Fixing Bracket MLROSE39 | Antique Silver

\* Fixing bracket may differ for UL wired products.



Product Notes:

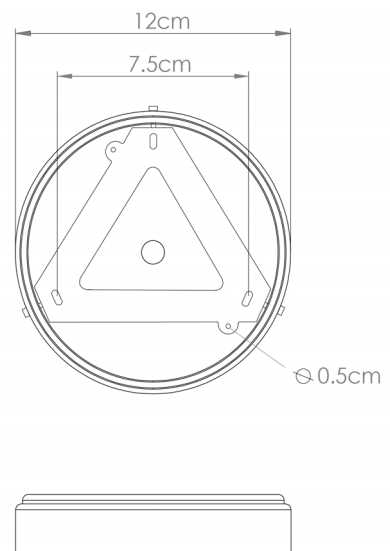
1) Bulbs not included. 2) Dimensions do not include bulbs. 3) All products are individually made-to-order and therefore may differ slightly within manufacturing tolerances. 4) Cable / chain can be shortened during installation. Longer cable / chain lengths available on request. 5) Additional colour finishes may be available on request. 6) UL wired products operate at 110/120v with the appropriate lamp holder. 7) Twisted cable is not available for UL wired products. Round cable in black or brown only is supplied instead. 8) Refer to our website for a full list of terms and conditions.



MATERIAL	Brass
HEIGHT	46.5cm   18.31"
WIDTH   DIAMETER	50cm   19.69"
LENGTH   PROJECTION	n/a
WEIGHT	2KG   4.41lbs
LAMP HOLDER	E27 or E26 *
MAX WATTAGE	40W x 1
VOLTAGE	220/240v or 110/120v *
IP RATING	20
CLASS PROTECTION	I
SHADE CODE	-
CABLE   CHAIN   BAR LENGT	100cm   40"
CABLE TYPE	MLCA013   3 Core Round   Clear   PVC

**Fixing Bracket MLROSE39 | Antique Silver**

\* Fixing bracket may differ for UL wired products.



**Product Notes:**

1) Bulbs not included. 2) Dimensions do not include bulbs. 3) All products are individually made-to-order and therefore may differ slightly within manufacturing tolerances. 4) Cable / chain can be shortened during installation. Longer cable / chain lengths available on request. 5) Additional colour finishes may be available on request. 6) UL wired products operate at 110/120v with the appropriate lamp holder. 7) Twisted cable is not available for UL wired products. Round cable in black or brown only is supplied instead. 8) Refer to our website for a full list of terms and conditions.

# MATLOCK Pendant

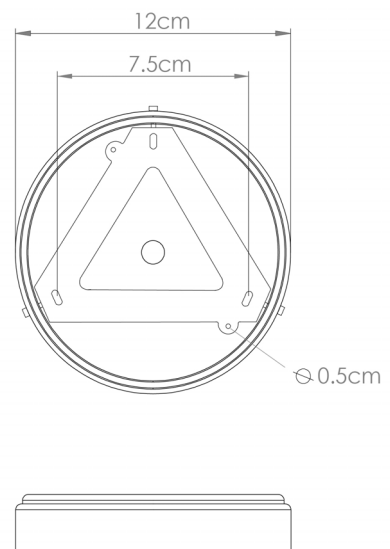
MLP481ANTSLVPCMTG    Antique Silver



MATERIAL	Brass
HEIGHT	46.5cm   18.31"
WIDTH   DIAMETER	50cm   19.69"
LENGTH   PROJECTION	n/a
WEIGHT	2KG   4.41lbs
LAMP HOLDER	E27 or E26 *
MAX WATTAGE	40W x 1
VOLTAGE	220/240v or 110/120v *
IP RATING	20
CLASS PROTECTION	I
SHADE CODE	-
CABLE   CHAIN   BAR LENGT	100cm   40"
CABLE TYPE	MLCA013   3 Core Round   Clear   PVC

**Fixing Bracket** MLROSE39 | Antique Silver

\* Fixing bracket may differ for UL wired products.



**Product Notes:**

1) Bulbs not included. 2) Dimensions do not include bulbs. 3) All products are individually made-to-order and therefore may differ slightly within manufacturing tolerances. 4) Cable / chain can be shortened during installation. Longer cable / chain lengths available on request. 5) Additional colour finishes may be available on request. 6) UL wired products operate at 110/120v with the appropriate lamp holder. 7) Twisted cable is not available for UL wired products. Round cable in black or brown only is supplied instead. 8) Refer to our website for a full list of terms and conditions.

# MATLOCK Pendant

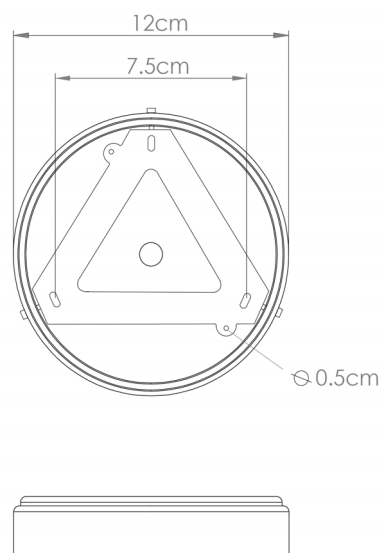
MLP481ANTSLVPCMWT    Antique Silver



MATERIAL	Brass
HEIGHT	46.5cm   18.31"
WIDTH   DIAMETER	50cm   19.69"
LENGTH   PROJECTION	n/a
WEIGHT	2KG   4.41lbs
LAMP HOLDER	E27 or E26 *
MAX WATTAGE	40W x 1
VOLTAGE	220/240v or 110/120v *
IP RATING	20
CLASS PROTECTION	I
SHADE CODE	-
CABLE   CHAIN   BAR LENGT	100cm   40"
CABLE TYPE	MLCA013   3 Core Round   Clear   PVC

**Fixing Bracket** MLROSE39 | Antique Silver

\* Fixing bracket may differ for UL wired products.



**Product Notes:**

1) Bulbs not included. 2) Dimensions do not include bulbs. 3) All products are individually made-to-order and therefore may differ slightly within manufacturing tolerances. 4) Cable / chain can be shortened during installation. Longer cable / chain lengths available on request. 5) Additional colour finishes may be available on request. 6) UL wired products operate at 110/120v with the appropriate lamp holder. 7) Twisted cable is not available for UL wired products. Round cable in black or brown only is supplied instead. 8) Refer to our website for a full list of terms and conditions.



## MATLOCK Pendant

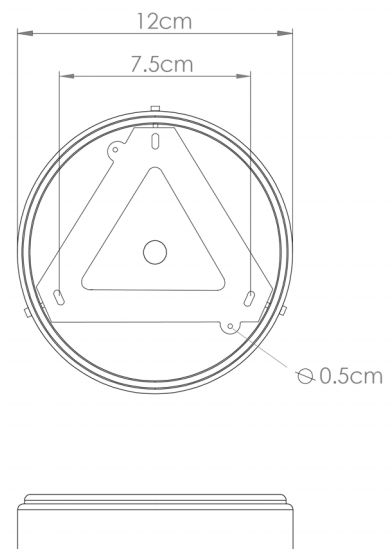
MLP481POLBRSPCMAP Polished Brass



MATERIAL	Brass
HEIGHT	46.5cm   18.31"
WIDTH   DIAMETER	50cm   19.69"
LENGTH   PROJECTION	n/a
WEIGHT	2KG   4.41lbs
LAMP HOLDER	E27 or E26 *
MAX WATTAGE	40W x 1
VOLTAGE	220/240v or 110/120v *
IP RATING	20
CLASS PROTECTION	I
SHADE CODE	-
CABLE   CHAIN   BAR LENGT	100cm   40"
CABLE TYPE	MLCA012   3 Core Round   Gold   PVC

### Fixing Bracket MLROSE39 | Polished Brass

\* Fixing bracket may differ for UL wired products.



www.mullanlighting.com

#### Product Notes:

1) Bulbs not included. 2) Dimensions do not include bulbs. 3) All products are individually made-to-order and therefore may differ slightly within manufacturing tolerances. 4) Cable / chain can be shortened during installation. Longer cable / chain lengths available on request. 5) Additional colour finishes may be available on request. 6) UL wired products operate at 110/120v with the appropriate lamp holder. 7) Twisted cable is not available for UL wired products. Round cable in black or brown only is supplied instead. 8) Refer to our website for a full list of terms and conditions.

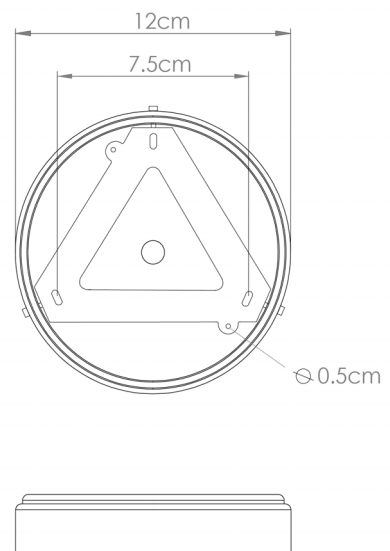




MATERIAL	Brass
HEIGHT	46.5cm   18.31"
WIDTH   DIAMETER	50cm   19.69"
LENGTH   PROJECTION	n/a
WEIGHT	2KG   4.41lbs
LAMP HOLDER	E27 or E26 *
MAX WATTAGE	40W x 1
VOLTAGE	220/240v or 110/120v *
IP RATING	20
CLASS PROTECTION	I
SHADE CODE	-
CABLE   CHAIN   BAR LENGT	100cm   40"
CABLE TYPE	MLCA012   3 Core Round   Gold   PVC

**Fixing Bracket MLROSE39 | Polished Brass**

\* Fixing bracket may differ for UL wired products.



**Product Notes:**

1) Bulbs not included. 2) Dimensions do not include bulbs. 3) All products are individually made-to-order and therefore may differ slightly within manufacturing tolerances. 4) Cable / chain can be shortened during installation. Longer cable / chain lengths available on request. 5) Additional colour finishes may be available on request. 6) UL wired products operate at 110/120v with the appropriate lamp holder. 7) Twisted cable is not available for UL wired products. Round cable in black or brown only is supplied instead. 8) Refer to our website for a full list of terms and conditions.





## MATLOCK Pendant

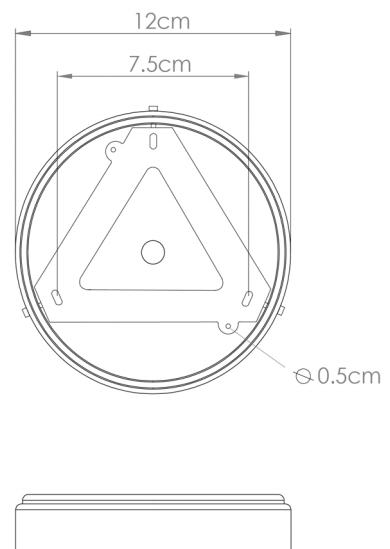
MLP481POLBRSPCMMT Polished Brass



MATERIAL	Brass
HEIGHT	46.5cm   18.31"
WIDTH   DIAMETER	50cm   19.69"
LENGTH   PROJECTION	n/a
WEIGHT	2KG   4.41lbs
LAMP HOLDER	E27 or E26 *
MAX WATTAGE	40W x 1
VOLTAGE	220/240v or 110/120v *
IP RATING	20
CLASS PROTECTION	I
SHADE CODE	-
CABLE   CHAIN   BAR LENGT	100cm   40"
CABLE TYPE	MLCA012   3 Core Round   Gold   PVC

### Fixing Bracket MLROSE39 | Polished Brass

\* Fixing bracket may differ for UL wired products.



www.mullanlighting.com

#### Product Notes:

1) Bulbs not included. 2) Dimensions do not include bulbs. 3) All products are individually made-to-order and therefore may differ slightly within manufacturing tolerances. 4) Cable / chain can be shortened during installation. Longer cable / chain lengths available on request. 5) Additional colour finishes may be available on request. 6) UL wired products operate at 110/120v with the appropriate lamp holder. 7) Twisted cable is not available for UL wired products. Round cable in black or brown only is supplied instead. 8) Refer to our website for a full list of terms and conditions.





## MATLOCK Pendant

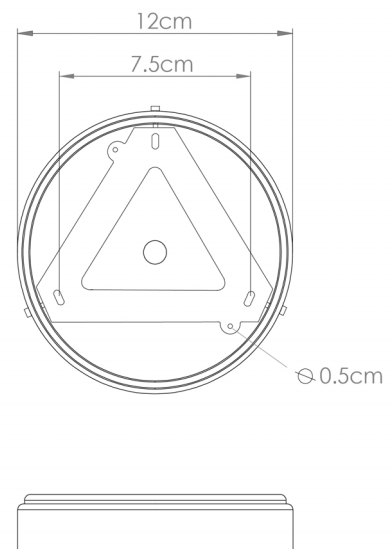
MLP481POLBRSPCMSB Polished Brass



MATERIAL	Brass
HEIGHT	46.5cm   18.31"
WIDTH   DIAMETER	50cm   19.69"
LENGTH   PROJECTION	n/a
WEIGHT	2KG   4.41lbs
LAMP HOLDER	E27 or E26 *
MAX WATTAGE	40W x 1
VOLTAGE	220/240v or 110/120v *
IP RATING	20
CLASS PROTECTION	I
SHADE CODE	-
CABLE   CHAIN   BAR LENGT	100cm   40"
CABLE TYPE	MLCA012   3 Core Round   Gold   PVC

### Fixing Bracket MLROSE39 | Polished Brass

\* Fixing bracket may differ for UL wired products.



www.mullanlighting.com

#### Product Notes:

1) Bulbs not included. 2) Dimensions do not include bulbs. 3) All products are individually made-to-order and therefore may differ slightly within manufacturing tolerances. 4) Cable / chain can be shortened during installation. Longer cable / chain lengths available on request. 5) Additional colour finishes may be available on request. 6) UL wired products operate at 110/120v with the appropriate lamp holder. 7) Twisted cable is not available for UL wired products. Round cable in black or brown only is supplied instead. 8) Refer to our website for a full list of terms and conditions.





## MATLOCK Pendant

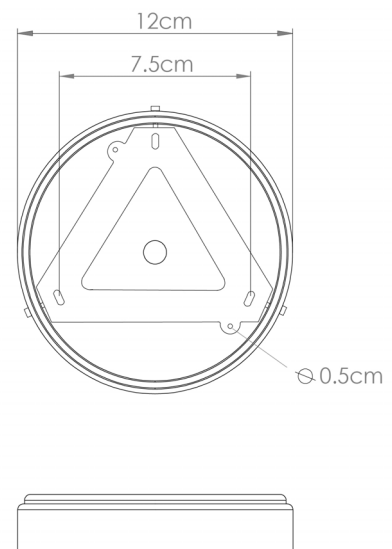
MLP481POLBRSPCMTG Polished Brass



MATERIAL	Brass
HEIGHT	46.5cm   18.31"
WIDTH   DIAMETER	50cm   19.69"
LENGTH   PROJECTION	n/a
WEIGHT	2KG   4.41lbs
LAMP HOLDER	E27 or E26 *
MAX WATTAGE	40W x 1
VOLTAGE	220/240v or 110/120v *
IP RATING	20
CLASS PROTECTION	I
SHADE CODE	-
CABLE   CHAIN   BAR LENGT	100cm   40"
CABLE TYPE	MLCA012   3 Core Round   Gold   PVC

### Fixing Bracket MLROSE39 | Polished Brass

\* Fixing bracket may differ for UL wired products.



www.mullanlighting.com

#### Product Notes:

1) Bulbs not included. 2) Dimensions do not include bulbs. 3) All products are individually made-to-order and therefore may differ slightly within manufacturing tolerances. 4) Cable / chain can be shortened during installation. Longer cable / chain lengths available on request. 5) Additional colour finishes may be available on request. 6) UL wired products operate at 110/120v with the appropriate lamp holder. 7) Twisted cable is not available for UL wired products. Round cable in black or brown only is supplied instead. 8) Refer to our website for a full list of terms and conditions.

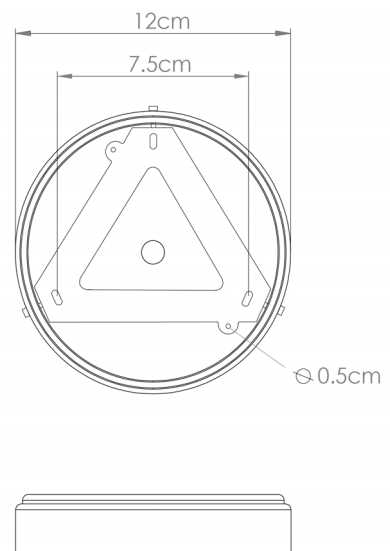




MATERIAL	Brass
HEIGHT	46.5cm   18.31"
WIDTH   DIAMETER	50cm   19.69"
LENGTH   PROJECTION	n/a
WEIGHT	2KG   4.41lbs
LAMP HOLDER	E27 or E26 *
MAX WATTAGE	40W x 1
VOLTAGE	220/240v or 110/120v *
IP RATING	20
CLASS PROTECTION	I
SHADE CODE	-
CABLE   CHAIN   BAR LENGT	100cm   40"
CABLE TYPE	MLCA012   3 Core Round   Gold   PVC

**Fixing Bracket MLROSE39 | Polished Brass**

\* Fixing bracket may differ for UL wired products.



**Product Notes:**

1) Bulbs not included. 2) Dimensions do not include bulbs. 3) All products are individually made-to-order and therefore may differ slightly within manufacturing tolerances. 4) Cable / chain can be shortened during installation. Longer cable / chain lengths available on request. 5) Additional colour finishes may be available on request. 6) UL wired products operate at 110/120v with the appropriate lamp holder. 7) Twisted cable is not available for UL wired products. Round cable in black or brown only is supplied instead. 8) Refer to our website for a full list of terms and conditions.

## MATLOCK Pendant

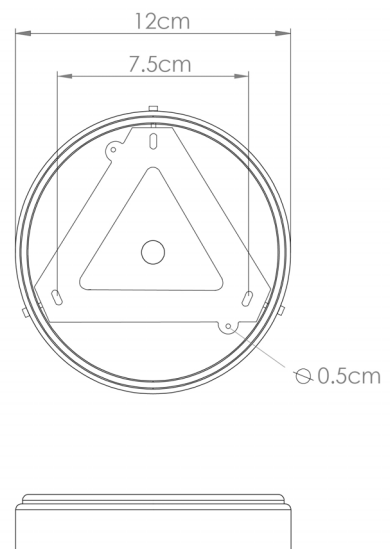
MLP481SATBRSPCMAP Satin Brass



MATERIAL	Brass
HEIGHT	46.5cm   18.31"
WIDTH   DIAMETER	50cm   19.69"
LENGTH   PROJECTION	n/a
WEIGHT	2KG   4.41lbs
LAMP HOLDER	E27 or E26 *
MAX WATTAGE	40W x 1
VOLTAGE	220/240v or 110/120v *
IP RATING	20
CLASS PROTECTION	I
SHADE CODE	-
CABLE   CHAIN   BAR LENGT	100cm   40"
CABLE TYPE	MLCA012   3 Core Round   Gold   PVC

Fixing Bracket MLROSE39 | Satin Brass

\* Fixing bracket may differ for UL wired products.



Product Notes:

1) Bulbs not included. 2) Dimensions do not include bulbs. 3) All products are individually made-to-order and therefore may differ slightly within manufacturing tolerances. 4) Cable / chain can be shortened during installation. Longer cable / chain lengths available on request. 5) Additional colour finishes may be available on request. 6) UL wired products operate at 110/120v with the appropriate lamp holder. 7) Twisted cable is not available for UL wired products. Round cable in black or brown only is supplied instead. 8) Refer to our website for a full list of terms and conditions.

## MATLOCK Pendant

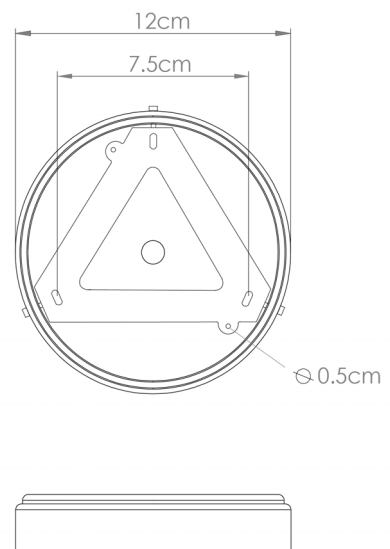
MLP481SATBRSPCMHY Satin Brass



MATERIAL	Brass
HEIGHT	46.5cm   18.31"
WIDTH   DIAMETER	50cm   19.69"
LENGTH   PROJECTION	n/a
WEIGHT	2KG   4.41lbs
LAMP HOLDER	E27 or E26 *
MAX WATTAGE	40W x 1
VOLTAGE	220/240v or 110/120v *
IP RATING	20
CLASS PROTECTION	I
SHADE CODE	-
CABLE   CHAIN   BAR LENGT	100cm   40"
CABLE TYPE	MLCA012   3 Core Round   Gold   PVC

Fixing Bracket MLROSE39 | Satin Brass

\* Fixing bracket may differ for UL wired products.



Product Notes:

1) Bulbs not included. 2) Dimensions do not include bulbs. 3) All products are individually made-to-order and therefore may differ slightly within manufacturing tolerances. 4) Cable / chain can be shortened during installation. Longer cable / chain lengths available on request. 5) Additional colour finishes may be available on request. 6) UL wired products operate at 110/120v with the appropriate lamp holder. 7) Twisted cable is not available for UL wired products. Round cable in black or brown only is supplied instead. 8) Refer to our website for a full list of terms and conditions.

# MATLOCK Pendant

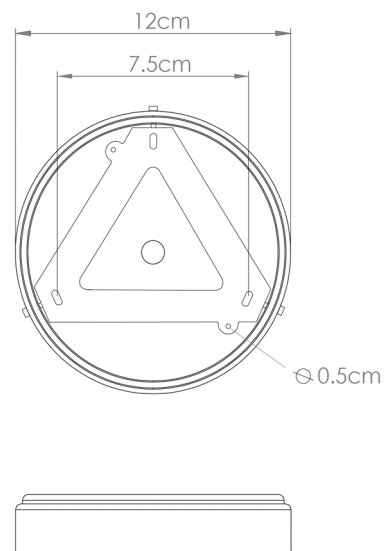
MLP481SATBRSPCMMT Satin Brass



MATERIAL	Brass
HEIGHT	46.5cm   18.31"
WIDTH   DIAMETER	50cm   19.69"
LENGTH   PROJECTION	n/a
WEIGHT	2KG   4.41lbs
LAMP HOLDER	E27 or E26 *
MAX WATTAGE	40W x 1
VOLTAGE	220/240v or 110/120v *
IP RATING	20
CLASS PROTECTION	I
SHADE CODE	-
CABLE   CHAIN   BAR LENGT	100cm   40"
CABLE TYPE	MLCA012   3 Core Round   Gold   PVC

**Fixing Bracket** MLROSE39 | Satin Brass

\* Fixing bracket may differ for UL wired products.



**Product Notes:**

1) Bulbs not included. 2) Dimensions do not include bulbs. 3) All products are individually made-to-order and therefore may differ slightly within manufacturing tolerances. 4) Cable / chain can be shortened during installation. Longer cable / chain lengths available on request. 5) Additional colour finishes may be available on request. 6) UL wired products operate at 110/120v with the appropriate lamp holder. 7) Twisted cable is not available for UL wired products. Round cable in black or brown only is supplied instead. 8) Refer to our website for a full list of terms and conditions.

## MATLOCK Pendant

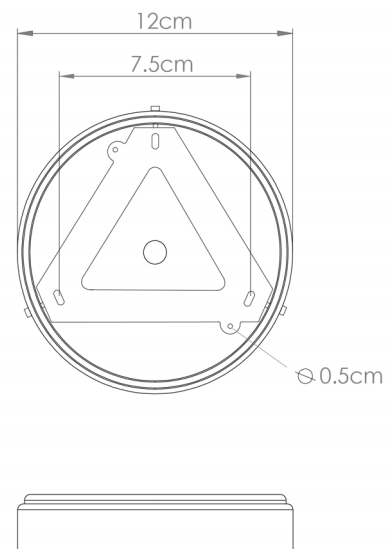
MLP481SATBRSPCMSB Satin Brass



MATERIAL	Brass
HEIGHT	46.5cm   18.31"
WIDTH   DIAMETER	50cm   19.69"
LENGTH   PROJECTION	n/a
WEIGHT	2KG   4.41lbs
LAMP HOLDER	E27 or E26 *
MAX WATTAGE	40W x 1
VOLTAGE	220/240v or 110/120v *
IP RATING	20
CLASS PROTECTION	I
SHADE CODE	-
CABLE   CHAIN   BAR LENGT	100cm   40"
CABLE TYPE	MLCA012   3 Core Round   Gold   PVC

Fixing Bracket MLROSE39 | Satin Brass

\* Fixing bracket may differ for UL wired products.



Product Notes:

1) Bulbs not included. 2) Dimensions do not include bulbs. 3) All products are individually made-to-order and therefore may differ slightly within manufacturing tolerances. 4) Cable / chain can be shortened during installation. Longer cable / chain lengths available on request. 5) Additional colour finishes may be available on request. 6) UL wired products operate at 110/120v with the appropriate lamp holder. 7) Twisted cable is not available for UL wired products. Round cable in black or brown only is supplied instead. 8) Refer to our website for a full list of terms and conditions.



# MATLOCK Pendant

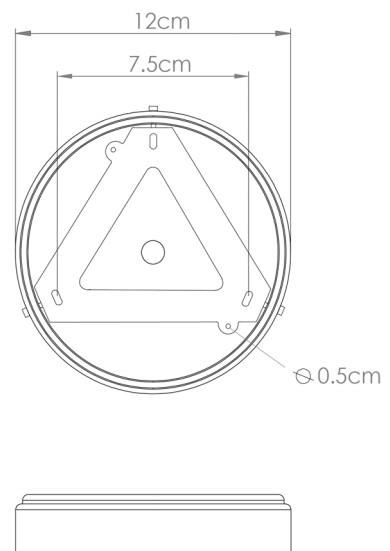
MLP481SATBRSPCMTG Satin Brass



MATERIAL	Brass
HEIGHT	46.5cm   18.31"
WIDTH   DIAMETER	50cm   19.69"
LENGTH   PROJECTION	n/a
WEIGHT	2KG   4.41lbs
LAMP HOLDER	E27 or E26 *
MAX WATTAGE	40W x 1
VOLTAGE	220/240v or 110/120v *
IP RATING	20
CLASS PROTECTION	I
SHADE CODE	-
CABLE   CHAIN   BAR LENGT	100cm   40"
CABLE TYPE	MLCA012   3 Core Round   Gold   PVC

**Fixing Bracket** MLROSE39 | Satin Brass

\* Fixing bracket may differ for UL wired products.



**Product Notes:**

1) Bulbs not included. 2) Dimensions do not include bulbs. 3) All products are individually made-to-order and therefore may differ slightly within manufacturing tolerances. 4) Cable / chain can be shortened during installation. Longer cable / chain lengths available on request. 5) Additional colour finishes may be available on request. 6) UL wired products operate at 110/120v with the appropriate lamp holder. 7) Twisted cable is not available for UL wired products. Round cable in black or brown only is supplied instead. 8) Refer to our website for a full list of terms and conditions.

## MATLOCK Pendant

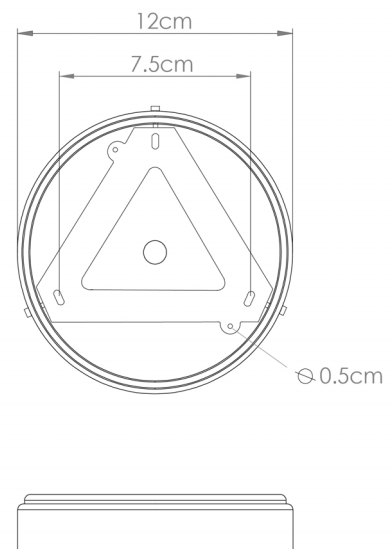
MLP481SATBRSPCMWT Satin Brass



MATERIAL	Brass
HEIGHT	46.5cm   18.31"
WIDTH   DIAMETER	50cm   19.69"
LENGTH   PROJECTION	n/a
WEIGHT	2KG   4.41lbs
LAMP HOLDER	E27 or E26 *
MAX WATTAGE	40W x 1
VOLTAGE	220/240v or 110/120v *
IP RATING	20
CLASS PROTECTION	I
SHADE CODE	-
CABLE   CHAIN   BAR LENGT	100cm   40"
CABLE TYPE	MLCA012   3 Core Round   Gold   PVC

Fixing Bracket MLROSE39 | Satin Brass

\* Fixing bracket may differ for UL wired products.



Product Notes:

1) Bulbs not included. 2) Dimensions do not include bulbs. 3) All products are individually made-to-order and therefore may differ slightly within manufacturing tolerances. 4) Cable / chain can be shortened during installation. Longer cable / chain lengths available on request. 5) Additional colour finishes may be available on request. 6) UL wired products operate at 110/120v with the appropriate lamp holder. 7) Twisted cable is not available for UL wired products. Round cable in black or brown only is supplied instead. 8) Refer to our website for a full list of terms and conditions.