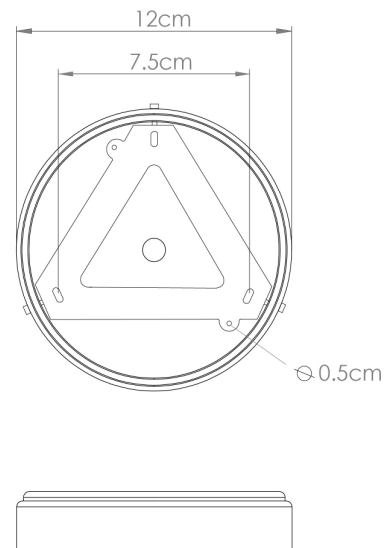




MATERIAL	Brass   Ceramic   Glass
HEIGHT	30cm   11.81"
WIDTH   DIAMETER	14cm   5.51"
LENGTH   PROJECTION	n/a
WEIGHT	1.4KG   3.09lbs
LAMP HOLDER	E27 or E26 *
MAX WATTAGE	6.5W x 1
VOLTAGE	220/240v or 110/120v *
IP RATING	44
CLASS PROTECTION	II
SHADE CODE	MLCS038   GLWP01
CABLE   CHAIN   BAR LENGT	n/a
CABLE TYPE	MLOCA001   2 Core Round   Brown Braid   Rubber

Fixing Bracket MLROSE39

\* Fixing bracket may differ for UL wired products.



Product Notes:

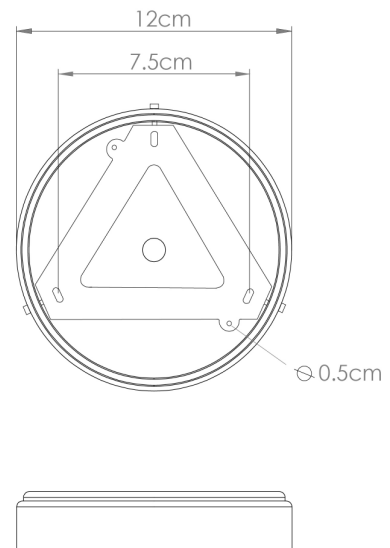
1) Bulbs not included. 2) Dimensions do not include bulbs. 3) All products are individually made-to-order and therefore may differ slightly within manufacturing tolerances. 4) Cable / chain can be shortened during installation. Longer cable / chain lengths available on request. 5) Additional colour finishes may be available on request. 6) UL wired products operate at 110/120v with the appropriate lamp holder. 7) Twisted cable is not available for UL wired products. Round cable in black or brown only is supplied instead. 8) Refer to our website for a full list of terms and conditions.



MATERIAL	Brass   Ceramic   Glass
HEIGHT	30cm   11.81"
WIDTH   DIAMETER	14cm   5.51"
LENGTH   PROJECTION	n/a
WEIGHT	1.4KG   3.09lbs
LAMP HOLDER	E27 or E26 *
MAX WATTAGE	6.5W x 1
VOLTAGE	220/240v or 110/120v *
IP RATING	44
CLASS PROTECTION	II
SHADE CODE	MLCS038   GLWP01
CABLE   CHAIN   BAR LENGT	n/a
CABLE TYPE	MLOCA002   2 Core Round   Black Braid   Rubber

**Fixing Bracket MLROSE39**

\* Fixing bracket may differ for UL wired products.



**Product Notes:**

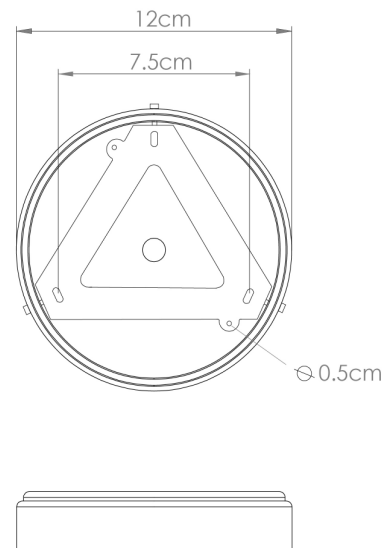
1) Bulbs not included. 2) Dimensions do not include bulbs. 3) All products are individually made-to-order and therefore may differ slightly within manufacturing tolerances. 4) Cable / chain can be shortened during installation. Longer cable / chain lengths available on request. 5) Additional colour finishes may be available on request. 6) UL wired products operate at 110/120v with the appropriate lamp holder. 7) Twisted cable is not available for UL wired products. Round cable in black or brown only is supplied instead. 8) Refer to our website for a full list of terms and conditions.



MATERIAL	Brass   Ceramic   Glass
HEIGHT	30cm   11.81"
WIDTH   DIAMETER	14cm   5.51"
LENGTH   PROJECTION	n/a
WEIGHT	1.4KG   3.09lbs
LAMP HOLDER	E27 or E26 *
MAX WATTAGE	6.5W x 1
VOLTAGE	220/240v or 110/120v *
IP RATING	44
CLASS PROTECTION	II
SHADE CODE	MLCS038
CABLE   CHAIN   BAR LENGT	n/a
CABLE TYPE	MLOCA002   2 Core Round   Black Braid   Rubber

**Fixing Bracket MLROSE39**

\* Fixing bracket may differ for UL wired products.



**Product Notes:**

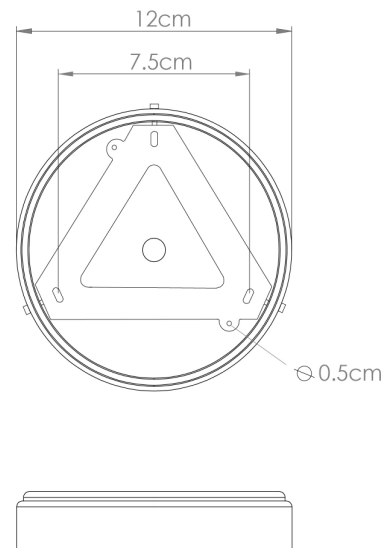
1) Bulbs not included. 2) Dimensions do not include bulbs. 3) All products are individually made-to-order and therefore may differ slightly within manufacturing tolerances. 4) Cable / chain can be shortened during installation. Longer cable / chain lengths available on request. 5) Additional colour finishes may be available on request. 6) UL wired products operate at 110/120v with the appropriate lamp holder. 7) Twisted cable is not available for UL wired products. Round cable in black or brown only is supplied instead. 8) Refer to our website for a full list of terms and conditions.



MATERIAL	Brass   Ceramic   Glass
HEIGHT	30cm   11.81"
WIDTH   DIAMETER	14cm   5.51"
LENGTH   PROJECTION	n/a
WEIGHT	1.4KG   3.09lbs
LAMP HOLDER	E27 or E26 *
MAX WATTAGE	6.5W x 1
VOLTAGE	220/240v or 110/120v *
IP RATING	44
CLASS PROTECTION	II
SHADE CODE	MLCS038   GLWP01
CABLE   CHAIN   BAR LENGT	n/a
CABLE TYPE	MLOCA002   2 Core Round   Black Braid   Rubber

Fixing Bracket MLROSE39

\* Fixing bracket may differ for UL wired products.



Product Notes:

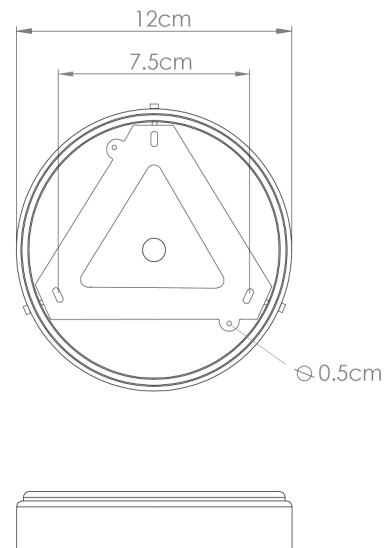
1) Bulbs not included. 2) Dimensions do not include bulbs. 3) All products are individually made-to-order and therefore may differ slightly within manufacturing tolerances. 4) Cable / chain can be shortened during installation. Longer cable / chain lengths available on request. 5) Additional colour finishes may be available on request. 6) UL wired products operate at 110/120v with the appropriate lamp holder. 7) Twisted cable is not available for UL wired products. Round cable in black or brown only is supplied instead. 8) Refer to our website for a full list of terms and conditions.



MATERIAL	Brass   Ceramic   Glass
HEIGHT	30cm   11.81"
WIDTH   DIAMETER	14cm   5.51"
LENGTH   PROJECTION	n/a
WEIGHT	1.4KG   3.09lbs
LAMP HOLDER	E27 or E26 *
MAX WATTAGE	6.5W x 1
VOLTAGE	220/240v or 110/120v *
IP RATING	44
CLASS PROTECTION	II
SHADE CODE	MLCS038   GLWP01
CABLE   CHAIN   BAR LENGT	n/a
CABLE TYPE	MLOCA002   2 Core Round   Black Braid   Rubber

Fixing Bracket MLROSE39

\* Fixing bracket may differ for UL wired products.



Product Notes:

1) Bulbs not included. 2) Dimensions do not include bulbs. 3) All products are individually made-to-order and therefore may differ slightly within manufacturing tolerances. 4) Cable / chain can be shortened during installation. Longer cable / chain lengths available on request. 5) Additional colour finishes may be available on request. 6) UL wired products operate at 110/120v with the appropriate lamp holder. 7) Twisted cable is not available for UL wired products. Round cable in black or brown only is supplied instead. 8) Refer to our website for a full list of terms and conditions.