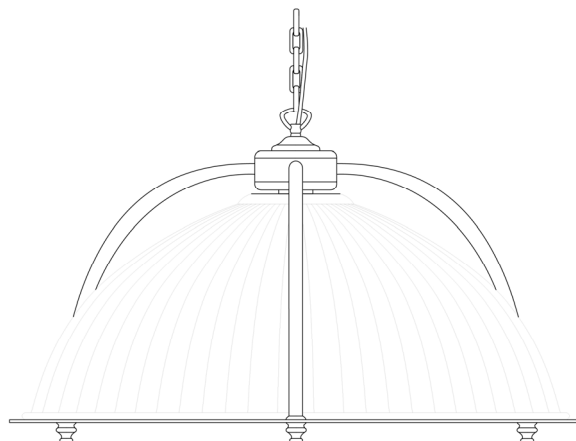


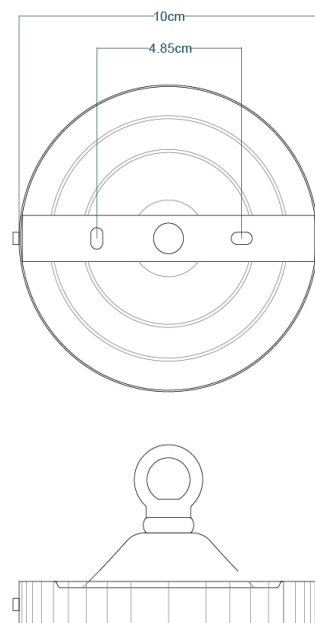
# BOUSTA Pendant

MLP058ANTBRS    Antique Brass



MATERIAL	Brass   Steel   Glass
HEIGHT	30cm   11.81"
WIDTH   DIAMETER	35cm   13.78"
LENGTH   PROJECTION	n/a
WEIGHT	2.64KG   5.82lbs
LAMPHOLDER	E27 x 1
MAX WATTAGE	40W x 1
VOLTAGE	220/240v
IP RATING	20
CLASS PROTECTION	I
SHADE	GL025
FLEX   BAR   CHAIN LENGT	100cm   40"
CABLE TYPE	MLCA010   2 Core Flat   Brown   PVC

Fixing Bracket MLROSE05H00K | Antique Brass

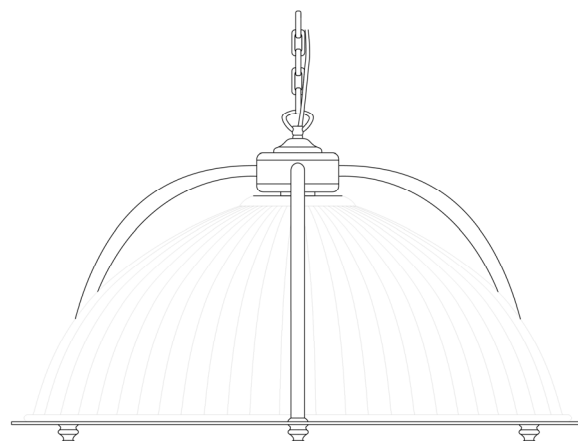


Product Notes:

1) Lamps not included with light fixture. 2) All products are individually hand crafted, therefore may differ slightly within manufacturing tolerances. 3) Please refer to: <http://www.mullanlighting.com/terms> for full list of Terms & Conditions. 4) Cable/Chain can be shortened during installation. 5) Longer Cable/Chain available on request. 6) Additional colour finishes available on request. 7.) Dimensions do not include lamps. 8.) Products wired to UL standards will operate at 110/120v with the appropriate lampholders.

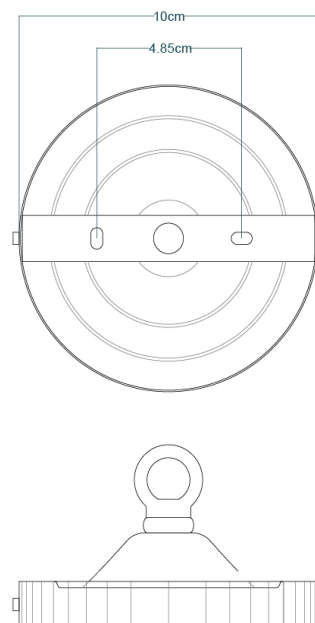
# BOUSTA Pendant

MLP058ANTSLV Antique Silver



MATERIAL	Brass   Steel   Glass
HEIGHT	30cm   11.81"
WIDTH   DIAMETER	35cm   13.78"
LENGTH   PROJECTION	n/a
WEIGHT	2.64KG   5.82lbs
LAMPHOLDER	E27 x 1
MAX WATTAGE	40W x 1
VOLTAGE	220/240v
IP RATING	20
CLASS PROTECTION	I
SHADE	GL025
FLEX   BAR   CHAIN LENGT	100cm   40"
CABLE TYPE	MLCA014   2 Core Flat   Clear   PVC

Fixing Bracket MLROSE05H00K | Antique Silver

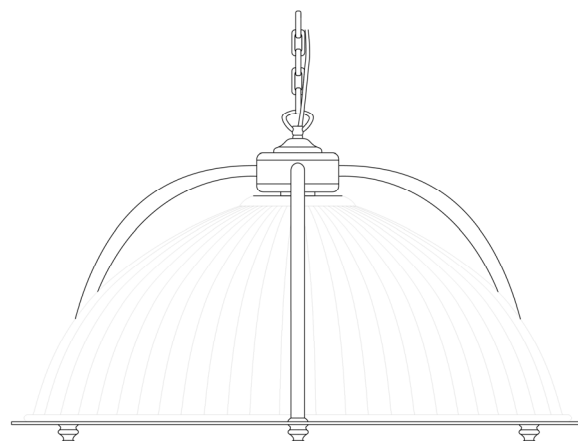


Product Notes:

1) Lamps not included with light fixture. 2) All products are individually hand crafted, therefore may differ slightly within manufacturing tolerances. 3) Please refer to: <http://www.mullanlighting.com/terms> for full list of Terms & Conditions. 4) Cable/Chain can be shortened during installation. 5) Longer Cable/Chain available on request. 6) Additional colour finishes available on request. 7.) Dimensions do not include lamps. 8.) Products wired to UL standards will operate at 110/120v with the appropriate lampholders.

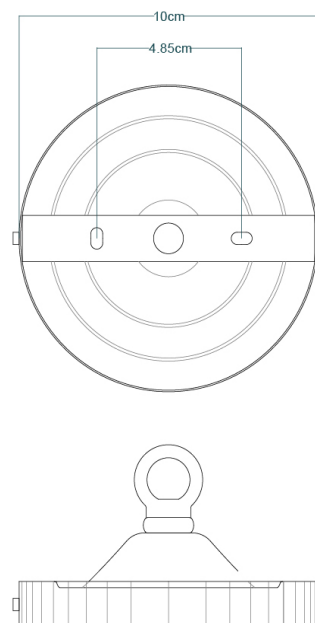
# BOUSTA Pendant

MLP058POLBRS Polished Brass



MATERIAL	Brass   Steel   Glass
HEIGHT	30cm   11.81"
WIDTH   DIAMETER	35cm   13.78"
LENGTH   PROJECTION	n/a
WEIGHT	2.64KG   5.82lbs
LAMPHOLDER	E27 x 1
MAX WATTAGE	40W x 1
VOLTAGE	220/240v
IP RATING	20
CLASS PROTECTION	I
SHADE	GL025
FLEX   BAR   CHAIN LENGT	100cm   40"
CABLE TYPE	MLCA038   2 Core Flat   Gold   PVC

Fixing Bracket MLROSE05H00K | Polished Brass

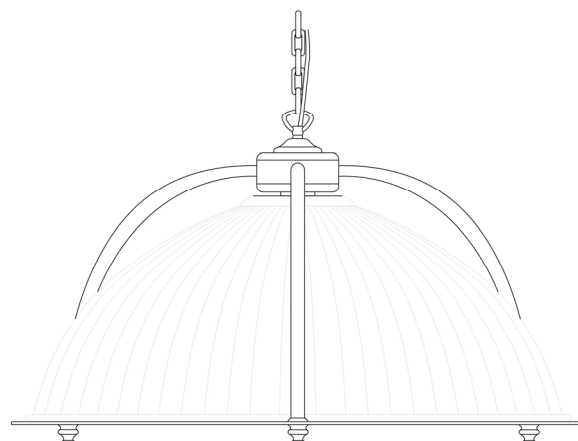


Product Notes:

1) Lamps not included with light fixture. 2) All products are individually hand crafted, therefore may differ slightly within manufacturing tolerances. 3) Please refer to: <http://www.mullanlighting.com/terms> for full list of Terms & Conditions. 4) Cable/Chain can be shortened during installation. 5) Longer Cable/Chain available on request. 6) Additional colour finishes available on request. 7.) Dimensions do not include lamps. 8.) Products wired to UL standards will operate at 110/120v with the appropriate lampholders.

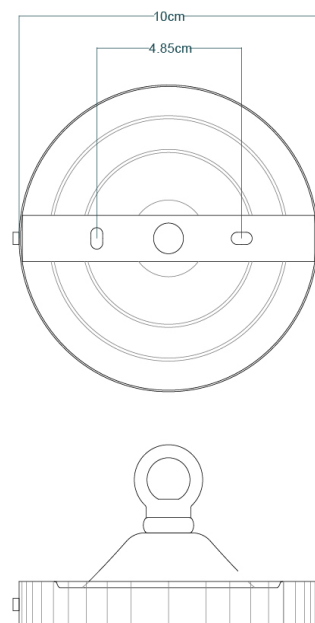
# BOUSTA Pendant

MLP058SATBRS Satin Brass



MATERIAL	Brass   Steel   Glass
HEIGHT	30cm   11.81"
WIDTH   DIAMETER	35cm   13.78"
LENGTH   PROJECTION	n/a
WEIGHT	2.64KG   5.82lbs
LAMPHOLDER	E27 x 1
MAX WATTAGE	40W x 1
VOLTAGE	220/240v
IP RATING	20
CLASS PROTECTION	I
SHADE	GL025
FLEX   BAR   CHAIN LENGT	100cm   40"
CABLE TYPE	MLCA038   2 Core Flat   Gold   PVC

Fixing Bracket MLROSE05H00K | Satin Brass



Product Notes:

1) Lamps not included with light fixture. 2) All products are individually hand crafted, therefore may differ slightly within manufacturing tolerances. 3) Please refer to: <http://www.mullanlighting.com/terms> for full list of Terms & Conditions. 4) Cable/Chain can be shortened during installation. 5) Longer Cable/Chain available on request. 6) Additional colour finishes available on request. 7.) Dimensions do not include lamps. 8.) Products wired to UL standards will operate at 110/120v with the appropriate lampholders.