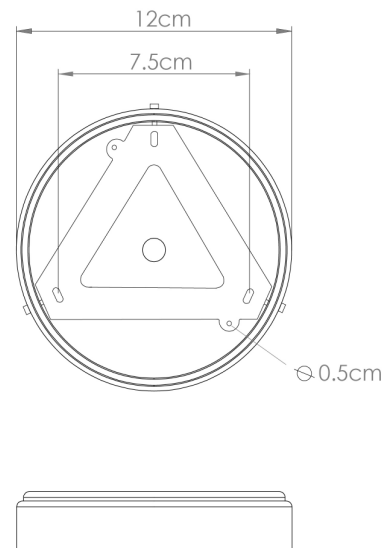


MATERIAL	BRASS CERAMIC GLASS
HEIGHT	13.7CM 5.39"
WIDTH DIAMETER	27CM 10.63"
LENGTH PROJECTION	n/a
WEIGHT	1.2KG 2.65lbs
LAMP HOLDER	E27 or E26 *
MAX WATTAGE	6.5W x 1
VOLTAGE	220/240v or 110/120v *
IP RATING	44
CLASS PROTECTION	II
SHADE CODE	MLCS080 GLWP01
CABLE CHAIN BAR LENGT	n/a
CABLE TYPE	MLOCA001 2 Core Round Brown Braid Rubber

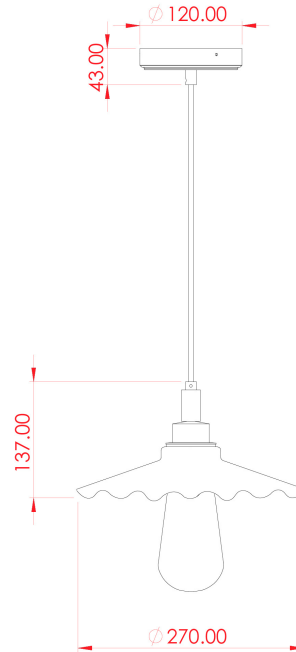
Fixing Bracket MLWB17

* Fixing bracket may differ for UL wired products.



Product Notes:

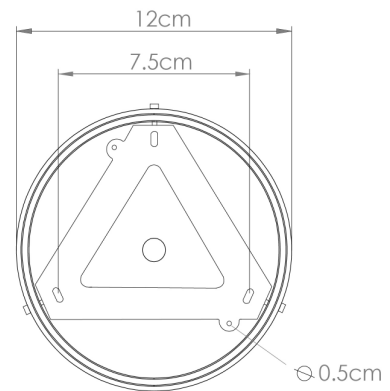
1) Bulbs not included. 2) Dimensions do not include bulbs. 3) All products are individually made-to-order and therefore may differ slightly within manufacturing tolerances. 4) Cable / chain can be shortened during installation. Longer cable / chain lengths available on request. 5) Additional colour finishes may be available on request. 6) UL wired products operate at 110/120v with the appropriate lamp holder. 7) Twisted cable is not available for UL wired products. Round cable in black or brown only is supplied instead. 8) Refer to our website for a full list of terms and conditions.



MATERIAL	BRASS CERAMIC GLASS
HEIGHT	13.7CM 5.39"
WIDTH DIAMETER	27CM 10.63"
LENGTH PROJECTION	n/a
WEIGHT	1.2KG 2.65lbs
LAMP HOLDER	E27 or E26 *
MAX WATTAGE	6.5W x 1
VOLTAGE	220/240v or 110/120v *
IP RATING	44
CLASS PROTECTION	II
SHADE CODE	MLCS080 GLWP01
CABLE CHAIN BAR LENGT	n/a
CABLE TYPE	MLOCA002 2 Core Round Black Braid Rubber

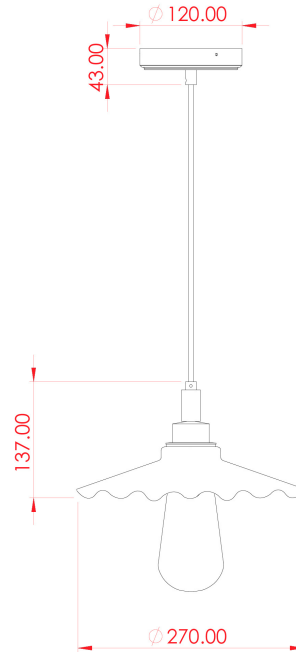
Fixing Bracket MLWB17

* Fixing bracket may differ for UL wired products.



Product Notes:

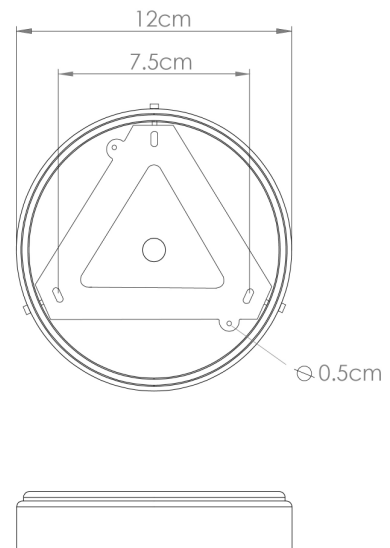
1) Bulbs not included. 2) Dimensions do not include bulbs. 3) All products are individually made-to-order and therefore may differ slightly within manufacturing tolerances. 4) Cable / chain can be shortened during installation. Longer cable / chain lengths available on request. 5) Additional colour finishes may be available on request. 6) UL wired products operate at 110/120v with the appropriate lamp holder. 7) Twisted cable is not available for UL wired products. Round cable in black or brown only is supplied instead. 8) Refer to our website for a full list of terms and conditions.



MATERIAL	BRASS CERAMIC GLASS
HEIGHT	13.7CM 5.39"
WIDTH DIAMETER	27CM 10.63"
LENGTH PROJECTION	n/a
WEIGHT	1.2KG 2.65lbs
LAMP HOLDER	E27 or E26 *
MAX WATTAGE	6.5W x 1
VOLTAGE	220/240v or 110/120v *
IP RATING	44
CLASS PROTECTION	II
SHADE CODE	MLCS080 GLWP01
CABLE CHAIN BAR LENGT	n/a
CABLE TYPE	MLOCA002 2 Core Round Black Braid Rubber

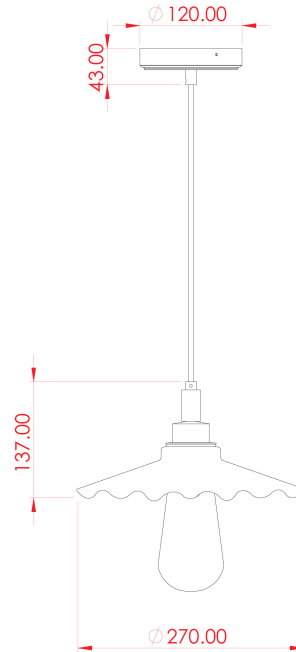
Fixing Bracket MLWB17

* Fixing bracket may differ for UL wired products.



Product Notes:

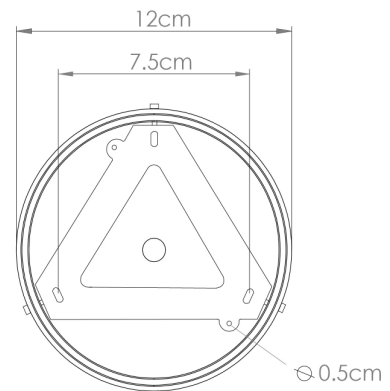
1) Bulbs not included. 2) Dimensions do not include bulbs. 3) All products are individually made-to-order and therefore may differ slightly within manufacturing tolerances. 4) Cable / chain can be shortened during installation. Longer cable / chain lengths available on request. 5) Additional colour finishes may be available on request. 6) UL wired products operate at 110/120v with the appropriate lamp holder. 7) Twisted cable is not available for UL wired products. Round cable in black or brown only is supplied instead. 8) Refer to our website for a full list of terms and conditions.



MATERIAL	BRASS CERAMIC GLASS
HEIGHT	13.7CM 5.39"
WIDTH DIAMETER	27CM 10.63"
LENGTH PROJECTION	n/a
WEIGHT	1.2KG 2.65lbs
LAMP HOLDER	E27 or E26 *
MAX WATTAGE	6.5W x 1
VOLTAGE	220/240v or 110/120v *
IP RATING	44
CLASS PROTECTION	II
SHADE CODE	MLCS080 GLWP01
CABLE CHAIN BAR LENGT	n/a
CABLE TYPE	MLOCA002 2 Core Round Black Braid Rubber

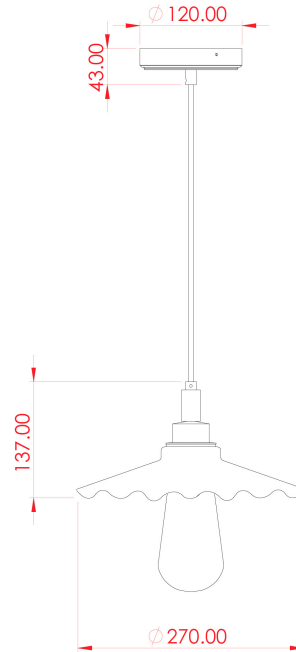
Fixing Bracket MLWB17

* Fixing bracket may differ for UL wired products.



Product Notes:

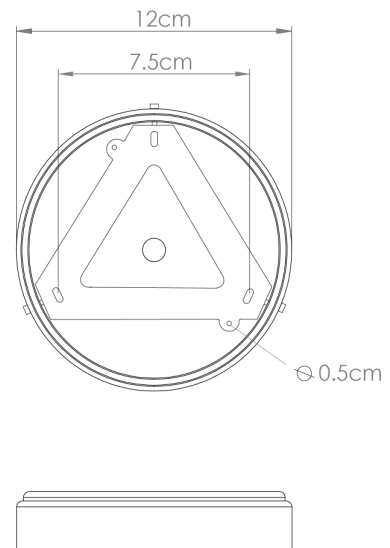
1) Bulbs not included. 2) Dimensions do not include bulbs. 3) All products are individually made-to-order and therefore may differ slightly within manufacturing tolerances. 4) Cable / chain can be shortened during installation. Longer cable / chain lengths available on request. 5) Additional colour finishes may be available on request. 6) UL wired products operate at 110/120v with the appropriate lamp holder. 7) Twisted cable is not available for UL wired products. Round cable in black or brown only is supplied instead. 8) Refer to our website for a full list of terms and conditions.



MATERIAL	BRASS CERAMIC GLASS
HEIGHT	13.7CM 5.39"
WIDTH DIAMETER	27CM 10.63"
LENGTH PROJECTION	n/a
WEIGHT	1.2KG 2.65lbs
LAMP HOLDER	E27 or E26 *
MAX WATTAGE	6.5W x 1
VOLTAGE	220/240v or 110/120v *
IP RATING	44
CLASS PROTECTION	II
SHADE CODE	MLCS080 GLWP01
CABLE CHAIN BAR LENGT	n/a
CABLE TYPE	MLOCA002 2 Core Round Black Braid Rubber

Fixing Bracket MLWB17

* Fixing bracket may differ for UL wired products.



Product Notes:

1) Bulbs not included. 2) Dimensions do not include bulbs. 3) All products are individually made-to-order and therefore may differ slightly within manufacturing tolerances. 4) Cable / chain can be shortened during installation. Longer cable / chain lengths available on request. 5) Additional colour finishes may be available on request. 6) UL wired products operate at 110/120v with the appropriate lamp holder. 7) Twisted cable is not available for UL wired products. Round cable in black or brown only is supplied instead. 8) Refer to our website for a full list of terms and conditions.