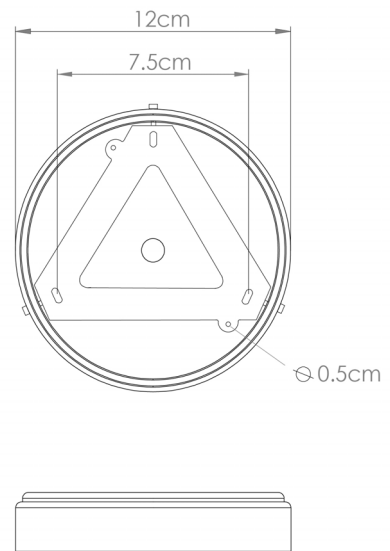


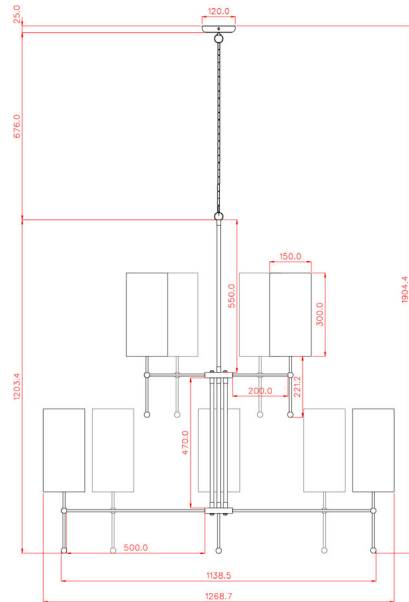
MATERIAL	Brass   Fabric
HEIGHT	120cm   47.24"
WIDTH   DIAMETER	127cm   50"
LENGTH   PROJECTION	n/a
WEIGHT	16KG   35.27lbs
LAMPHOLDER	E27 x 12
MAX WATTAGE	40W x 12
VOLTAGE	220/240v
IP RATING	20
CLASS PROTECTION	I
SHADE	MLFS009
FLEX   BAR   CHAIN LENGT	100cm   40"
CABLE TYPE	MLCA036   3 Core Round   Brown   PVC

Fixing Bracket MLWB17 | Antique Brass



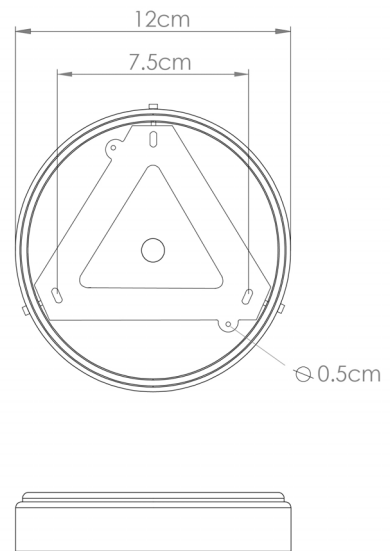
Product Notes:

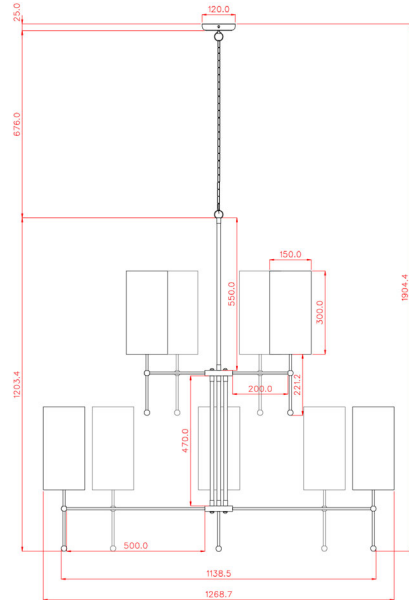
1) Lamps not included with light fixture. 2) All products are individually hand crafted, therefore may differ slightly within manufacturing tolerances. 3) Please refer to: <http://www.mullanlighting.com/terms> for full list of Terms & Conditions. 4) Cable/Chain can be shortened during installation. 5) Longer Cable/Chain available on request. 6) Additional colour finishes available on request. 7.) Dimensions do not include lamps. 8.) Products wired to UL standards will operate at 110/120v with the appropriate lampholders.



MATERIAL	Brass   Fabric
HEIGHT	120cm   47.24"
WIDTH   DIAMETER	127cm   50"
LENGTH   PROJECTION	n/a
WEIGHT	16KG   35.27lbs
LAMPHOLDER	E27 x 12
MAX WATTAGE	40W x 12
VOLTAGE	220/240v
IP RATING	20
CLASS PROTECTION	I
SHADE	MLFS009
FLEX   BAR   CHAIN LENGT	100cm   40"
CABLE TYPE	MLCA013   3 Core Round   Clear   PVC

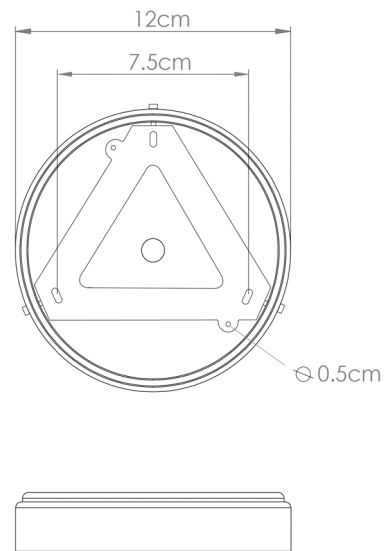
Fixing Bracket MLWB17 | Antique Silver





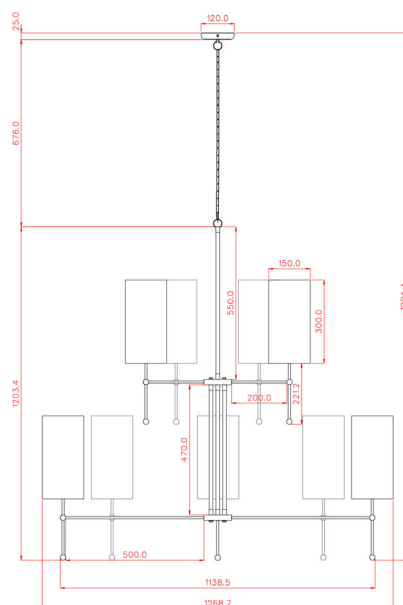
MATERIAL	Brass   Fabric
HEIGHT	120cm   47.24"
WIDTH   DIAMETER	127cm   50"
LENGTH   PROJECTION	n/a
WEIGHT	16KG   35.27lbs
LAMPHOLDER	E27 x 12
MAX WATTAGE	40W x 12
VOLTAGE	220/240v
IP RATING	20
CLASS PROTECTION	I
SHADE	MLFS009
FLEX   BAR   CHAIN LENGT	100cm   40"
CABLE TYPE	MLCA012   3 Core Round   Gold   PVC

Fixing Bracket MLWB17 | Polished Brass



Product Notes:

1) Lamps not included with light fixture. 2) All products are individually hand crafted, therefore may differ slightly within manufacturing tolerances. 3) Please refer to: <http://www.mullanlighting.com/terms> for full list of Terms & Conditions. 4) Cable/Chain can be shortened during installation. 5) Longer Cable/Chain available on request. 6) Additional colour finishes available on request. 7.) Dimensions do not include lamps. 8.) Products wired to UL standards will operate at 110/120v with the appropriate lampholders.



MATERIAL	Brass   Fabric
HEIGHT	120cm   47.24"
WIDTH   DIAMETER	127cm   50"
LENGTH   PROJECTION	n/a
WEIGHT	16KG   35.27lbs
LAMPHOLDER	E27 x 12
MAX WATTAGE	40W x 12
VOLTAGE	220/240v
IP RATING	20
CLASS PROTECTION	I
SHADE	MLFS009
FLEX   BAR   CHAIN LENGT	100cm   40"
CABLE TYPE	MLCA012   3 Core Round   Gold   PVC

Fixing Bracket MLWB17 | Satin Brass

