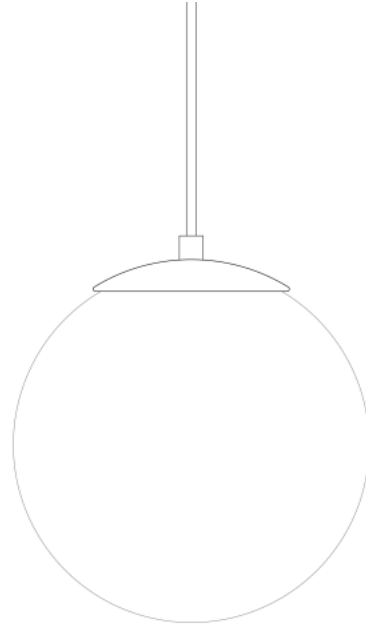


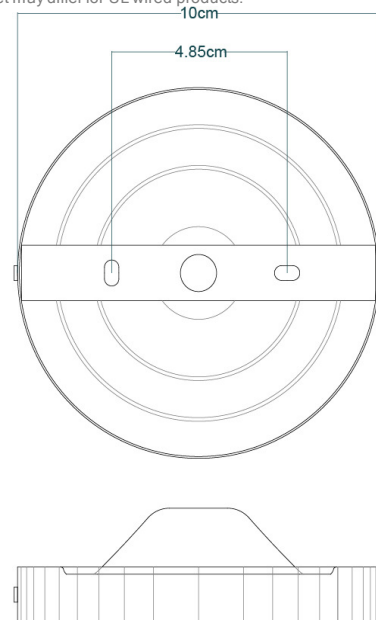
# VENICE Pendant

MLP459ANTBRSCS    Antique Brass



MATERIAL	Brass   Aluminium
HEIGHT	19cm   7.48"
WIDTH   DIAMETER	17cm   6.69"
LENGTH   PROJECTION	n/a
WEIGHT	0.88KG   1.94lbs
LAMP HOLDER	E27 or E26 *
MAX WATTAGE	40W x 1
VOLTAGE	220/240v or 110/120v *
IP RATING	20
CLASS PROTECTION	I
SHADE CODE	GL179
CABLE   CHAIN   BAR LENGT	100cm   40"
CABLE TYPE	MLCA047   2 Core Round   Brown Braid   PVC

Fixing Bracket    MLWB02 | Antique Brass  
 \* Fixing bracket may differ for UL wired products.

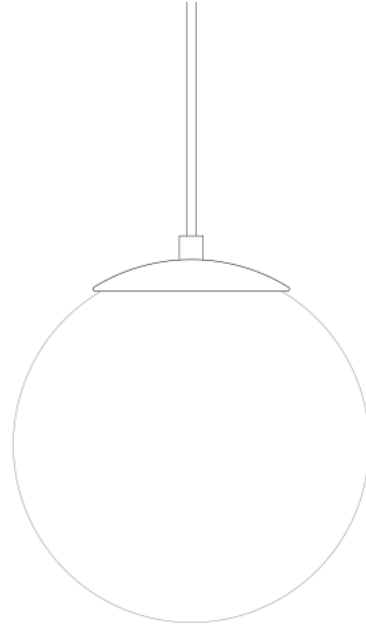


**Product Notes:**

1) Bulbs not included. 2) Dimensions do not include bulbs. 3) All products are individually made-to-order and therefore may differ slightly within manufacturing tolerances. 4) Cable / chain can be shortened during installation. Longer cable / chain lengths available on request. 5) Additional colour finishes may be available on request. 6) UL wired products operate at 110/120v with the appropriate lamp holder. 7) Twisted cable is not available for UL wired products. Round cable in black or brown only is supplied instead. 8) Refer to our website for a full list of terms and conditions.

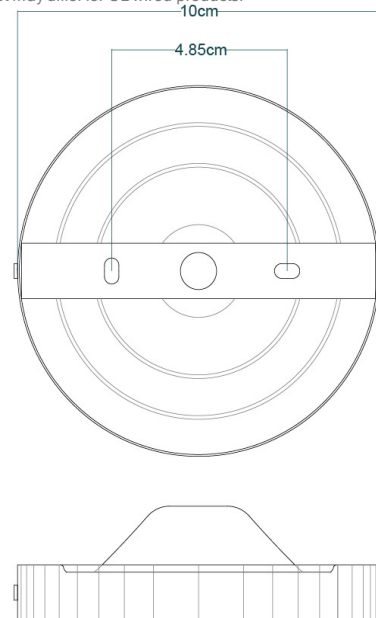
# VENICE Pendant

MLP459ANTBRSFR    Antique Brass



MATERIAL	Brass   Aluminium
HEIGHT	19cm   7.48"
WIDTH   DIAMETER	17cm   6.69"
LENGTH   PROJECTION	n/a
WEIGHT	0.88KG   1.94lbs
LAMP HOLDER	E27 or E26 *
MAX WATTAGE	40W x 1
VOLTAGE	220/240v or 110/120v *
IP RATING	20
CLASS PROTECTION	I
SHADE CODE	GL180
CABLE   CHAIN   BAR LENGT	100cm   40"
CABLE TYPE	MLCA047   2 Core Round   Brown Braid   PVC

Fixing Bracket MLWB02 | Antique Brass  
 \* Fixing bracket may differ for UL wired products.

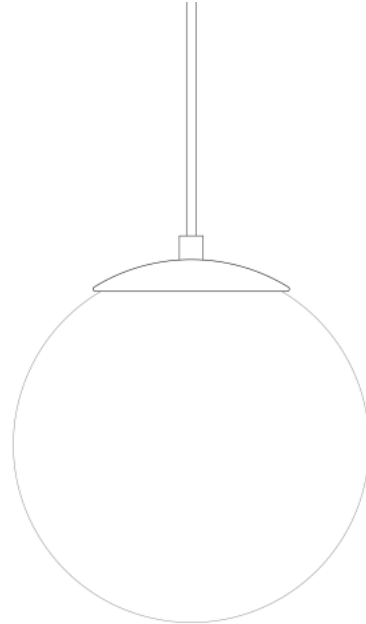


**Product Notes:**

1) Bulbs not included. 2) Dimensions do not include bulbs. 3) All products are individually made-to-order and therefore may differ slightly within manufacturing tolerances. 4) Cable / chain can be shortened during installation. Longer cable / chain lengths available on request. 5) Additional colour finishes may be available on request. 6) UL wired products operate at 110/120v with the appropriate lamp holder. 7) Twisted cable is not available for UL wired products. Round cable in black or brown only is supplied instead. 8) Refer to our website for a full list of terms and conditions.

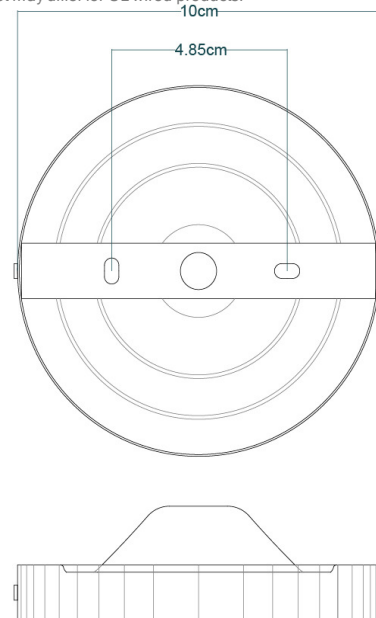
# VENICE Pendant

MLP459ANTBRSSM    Antique Brass



MATERIAL	Brass   Glass
HEIGHT	19cm   7.48"
WIDTH   DIAMETER	17cm   6.69"
LENGTH   PROJECTION	n/a
WEIGHT	0.88KG   1.94lbs
LAMP HOLDER	E27 or E26 *
MAX WATTAGE	40W x 1
VOLTAGE	220/240v or 110/120v *
IP RATING	20
CLASS PROTECTION	I
SHADE CODE	GL183
CABLE   CHAIN   BAR LENGT	100cm   40"
CABLE TYPE	MLCA047   2 Core Round   Brown Braid   PVC

Fixing Bracket MLWB02 | Antique Brass  
 \* Fixing bracket may differ for UL wired products.

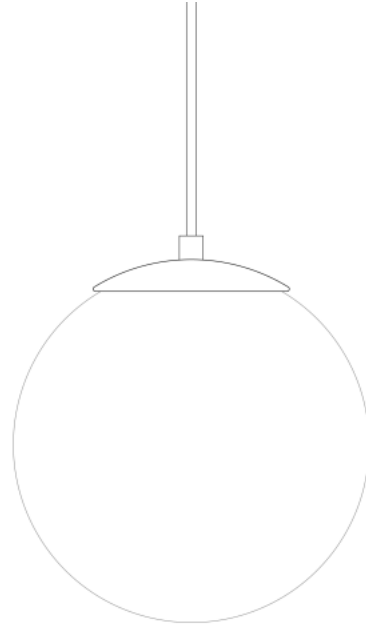


**Product Notes:**

1) Bulbs not included. 2) Dimensions do not include bulbs. 3) All products are individually made-to-order and therefore may differ slightly within manufacturing tolerances. 4) Cable / chain can be shortened during installation. Longer cable / chain lengths available on request. 5) Additional colour finishes may be available on request. 6) UL wired products operate at 110/120v with the appropriate lamp holder. 7) Twisted cable is not available for UL wired products. Round cable in black or brown only is supplied instead. 8) Refer to our website for a full list of terms and conditions.

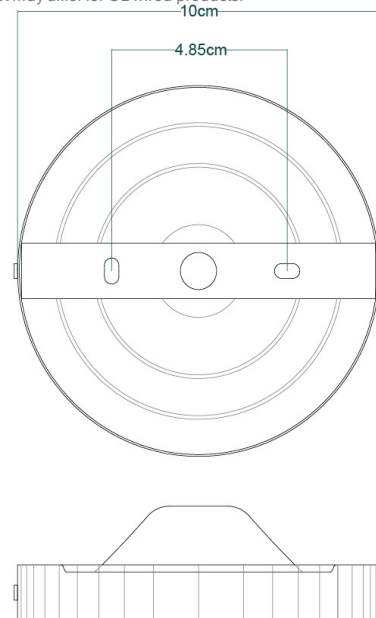
# VENICE Pendant

MLP459ANTSLVCL    Antique Silver



MATERIAL	Brass   Aluminium
HEIGHT	19cm   7.48"
WIDTH   DIAMETER	17cm   6.69"
LENGTH   PROJECTION	n/a
WEIGHT	0.88KG   1.94lbs
LAMP HOLDER	E27 or E26 *
MAX WATTAGE	40W x 1
VOLTAGE	220/240v or 110/120v *
IP RATING	20
CLASS PROTECTION	I
SHADE CODE	GL179
CABLE   CHAIN   BAR LENGT	100cm   40"
CABLE TYPE	MLCA028   2 Core Round   Black Braid   PVC

Fixing Bracket    MLWB02 | Antique Silver  
 \* Fixing bracket may differ for UL wired products.



**Product Notes:**

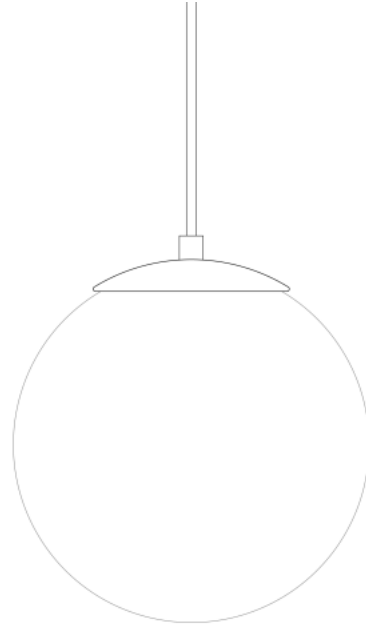
1) Bulbs not included. 2) Dimensions do not include bulbs. 3) All products are individually made-to-order and therefore may differ slightly within manufacturing tolerances. 4) Cable / chain can be shortened during installation. Longer cable / chain lengths available on request. 5) Additional colour finishes may be available on request. 6) UL wired products operate at 110/120v with the appropriate lamp holder. 7) Twisted cable is not available for UL wired products. Round cable in black or brown only is supplied instead. 8) Refer to our website for a full list of terms and conditions.

# VENICE Pendant

MLP459ANTSLVFR    Antique Silver

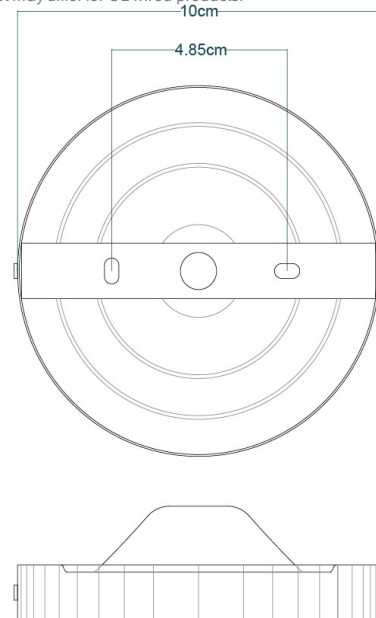


ANTIQUE SILVER



MATERIAL	Brass   Aluminium
HEIGHT	19cm   7.48"
WIDTH   DIAMETER	17cm   6.69"
LENGTH   PROJECTION	n/a
WEIGHT	0.88KG   1.94lbs
LAMP HOLDER	E27 or E26 *
MAX WATTAGE	40W x 1
VOLTAGE	220/240v or 110/120v *
IP RATING	20
CLASS PROTECTION	I
SHADE CODE	GL180
CABLE   CHAIN   BAR LENGT	100cm   40"
CABLE TYPE	MLCA028   2 Core Round   Black Braid   PVC

Fixing Bracket MLWB02 | Antique Silver  
 \* Fixing bracket may differ for UL wired products.

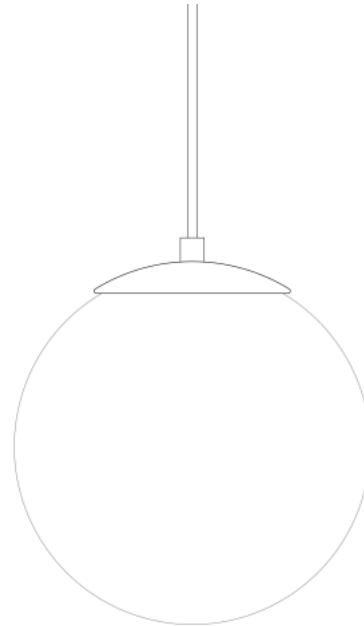


Product Notes:

1) Bulbs not included. 2) Dimensions do not include bulbs. 3) All products are individually made-to-order and therefore may differ slightly within manufacturing tolerances. 4) Cable / chain can be shortened during installation. Longer cable / chain lengths available on request. 5) Additional colour finishes may be available on request. 6) UL wired products operate at 110/120v with the appropriate lamp holder. 7) Twisted cable is not available for UL wired products. Round cable in black or brown only is supplied instead. 8) Refer to our website for a full list of terms and conditions.

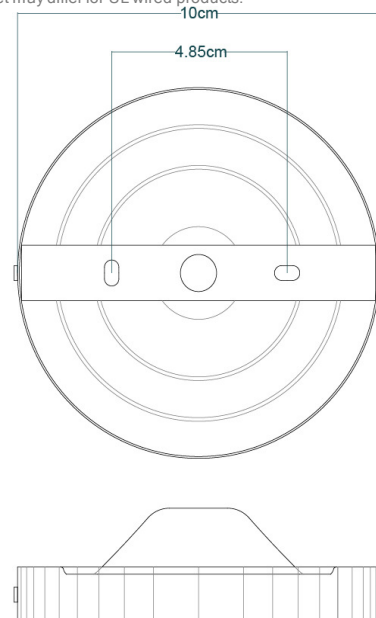
# VENICE Pendant

MLP459ANTSLVSM    Antique Silver



MATERIAL	Brass   Glass
HEIGHT	19cm   7.48"
WIDTH   DIAMETER	17cm   6.69"
LENGTH   PROJECTION	n/a
WEIGHT	0.88KG   1.94lbs
LAMP HOLDER	E27 or E26 *
MAX WATTAGE	40W x 1
VOLTAGE	220/240v or 110/120v *
IP RATING	20
CLASS PROTECTION	I
SHADE CODE	GL183
CABLE   CHAIN   BAR LENGT	100cm   40"
CABLE TYPE	MLCA028   2 Core Round   Black Braid   PVC

Fixing Bracket MLWB02 | Antique Silver  
 \* Fixing bracket may differ for UL wired products.



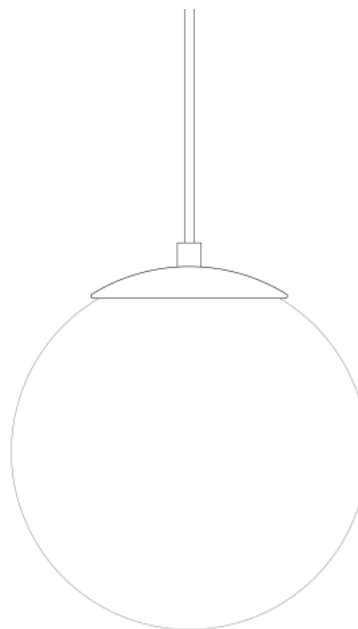
**Product Notes:**

1) Bulbs not included. 2) Dimensions do not include bulbs. 3) All products are individually made-to-order and therefore may differ slightly within manufacturing tolerances. 4) Cable / chain can be shortened during installation. Longer cable / chain lengths available on request. 5) Additional colour finishes may be available on request. 6) UL wired products operate at 110/120v with the appropriate lamp holder. 7) Twisted cable is not available for UL wired products. Round cable in black or brown only is supplied instead. 8) Refer to our website for a full list of terms and conditions.



# VENICE Pendant

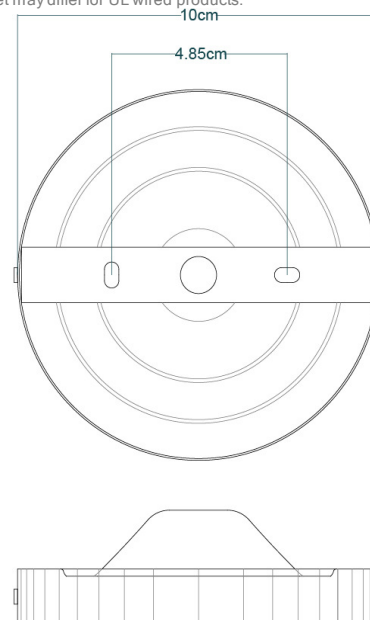
MLP459PCMBKCL Matt Black



MATERIAL	Brass   Aluminium
HEIGHT	19cm   7.48"
WIDTH   DIAMETER	17cm   6.69"
LENGTH   PROJECTION	n/a
WEIGHT	0.88KG   1.94lbs
LAMP HOLDER	E27 or E26 *
MAX WATTAGE	40W x 1
VOLTAGE	220/240v or 110/120v *
IP RATING	20
CLASS PROTECTION	I
SHADE CODE	GL179
CABLE   CHAIN   BAR LENGT	100cm   40"
CABLE TYPE	MLCA028   2 Core Round   Black Braid   PVC

**Fixing Bracket MLWB02 | Matt Black**

\* Fixing bracket may differ for UL wired products.

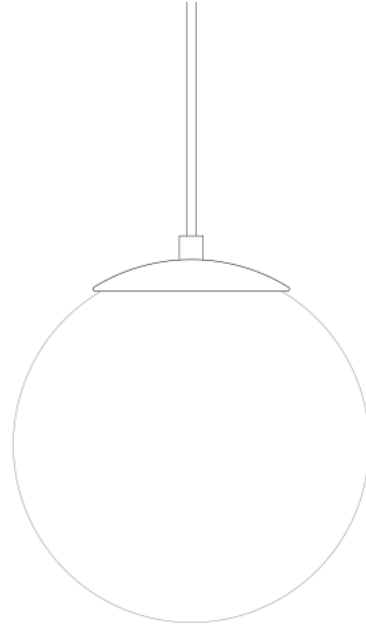


**Product Notes:**

1) Bulbs not included. 2) Dimensions do not include bulbs. 3) All products are individually made-to-order and therefore may differ slightly within manufacturing tolerances. 4) Cable / chain can be shortened during installation. Longer cable / chain lengths available on request. 5) Additional colour finishes may be available on request. 6) UL wired products operate at 110/120v with the appropriate lamp holder. 7) Twisted cable is not available for UL wired products. Round cable in black or brown only is supplied instead. 8) Refer to our website for a full list of terms and conditions.

# VENICE Pendant

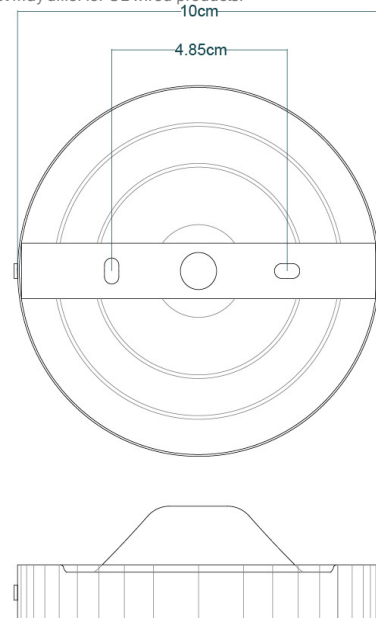
MLP459PCMBKFR Matt Black



MATERIAL	Brass   Aluminium
HEIGHT	19cm   7.48"
WIDTH   DIAMETER	17cm   6.69"
LENGTH   PROJECTION	n/a
WEIGHT	0.88KG   1.94lbs
LAMP HOLDER	E27 or E26 *
MAX WATTAGE	40W x 1
VOLTAGE	220/240v or 110/120v *
IP RATING	20
CLASS PROTECTION	I
SHADE CODE	GL180
CABLE   CHAIN   BAR LENGT	100cm   40"
CABLE TYPE	MLCA028   2 Core Round   Black Braid   PVC

### Fixing Bracket MLWB02 | Matt Black

\* Fixing bracket may differ for UL wired products.



#### Product Notes:

1) Bulbs not included. 2) Dimensions do not include bulbs. 3) All products are individually made-to-order and therefore may differ slightly within manufacturing tolerances. 4) Cable / chain can be shortened during installation. Longer cable / chain lengths available on request. 5) Additional colour finishes may be available on request. 6) UL wired products operate at 110/120v with the appropriate lamp holder. 7) Twisted cable is not available for UL wired products. Round cable in black or brown only is supplied instead. 8) Refer to our website for a full list of terms and conditions.

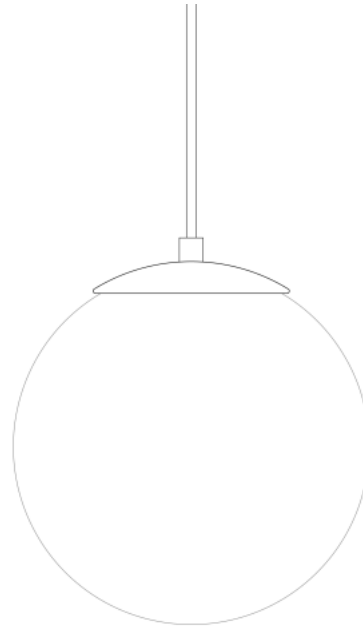


# VENICE Pendant

MLP459PCMBKSM Matt Black



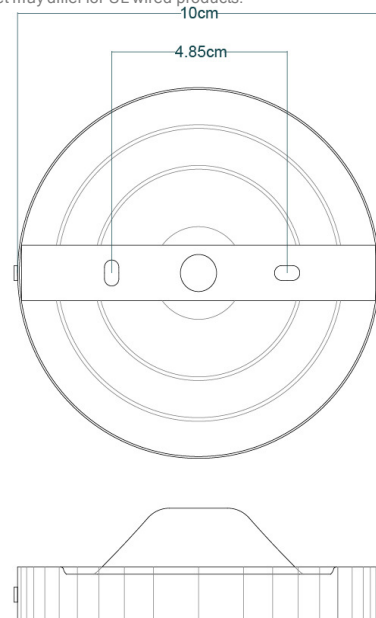
POWDER-COATED  
MATTE BLACK



MATERIAL	Brass   Glass   Aluminium
HEIGHT	19cm   7.48"
WIDTH   DIAMETER	17cm   6.69"
LENGTH   PROJECTION	n/a
WEIGHT	0.88KG   1.94lbs
LAMP HOLDER	E27 or E26 *
MAX WATTAGE	40W x 1
VOLTAGE	220/240v or 110/120v *
IP RATING	20
CLASS PROTECTION	I
SHADE CODE	GL183
CABLE   CHAIN   BAR LENGT	100cm   40"
CABLE TYPE	MLCA028   2 Core Round   Black Braid   PVC

Fixing Bracket MLWB02 | Matt Black

\* Fixing bracket may differ for UL wired products.

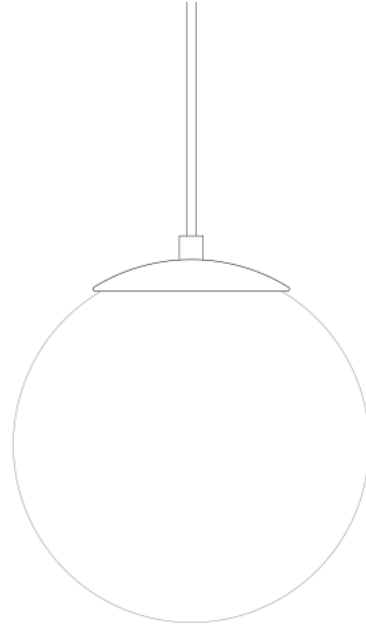


Product Notes:

1) Bulbs not included. 2) Dimensions do not include bulbs. 3) All products are individually made-to-order and therefore may differ slightly within manufacturing tolerances. 4) Cable / chain can be shortened during installation. Longer cable / chain lengths available on request. 5) Additional colour finishes may be available on request. 6) UL wired products operate at 110/120v with the appropriate lamp holder. 7) Twisted cable is not available for UL wired products. Round cable in black or brown only is supplied instead. 8) Refer to our website for a full list of terms and conditions.

# VENICE Pendant

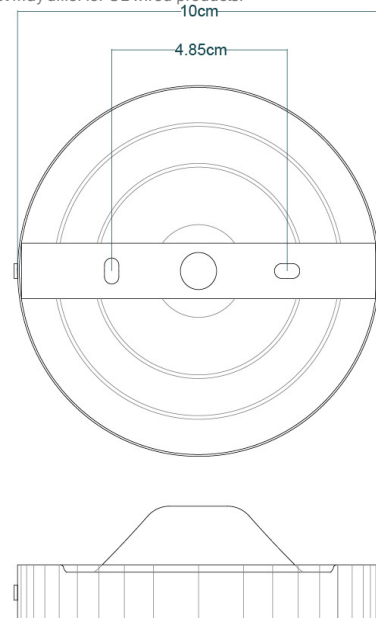
MLP459PCWTECL White



MATERIAL	Brass   Aluminium
HEIGHT	19cm   7.48"
WIDTH   DIAMETER	17cm   6.69"
LENGTH   PROJECTION	n/a
WEIGHT	0.88KG   1.94lbs
LAMP HOLDER	E27 or E26 *
MAX WATTAGE	40W x 1
VOLTAGE	220/240v or 110/120v *
IP RATING	20
CLASS PROTECTION	I
SHADE CODE	GL179
CABLE   CHAIN   BAR LENGT	100cm   40"
CABLE TYPE	MLCA028   2 Core Round   Black Braid   PVC

### Fixing Bracket MLWB02 | White

\* Fixing bracket may differ for UL wired products.

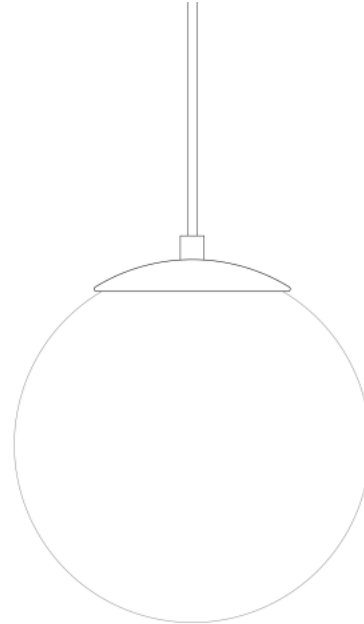


#### Product Notes:

1) Bulbs not included. 2) Dimensions do not include bulbs. 3) All products are individually made-to-order and therefore may differ slightly within manufacturing tolerances. 4) Cable / chain can be shortened during installation. Longer cable / chain lengths available on request. 5) Additional colour finishes may be available on request. 6) UL wired products operate at 110/120v with the appropriate lamp holder. 7) Twisted cable is not available for UL wired products. Round cable in black or brown only is supplied instead. 8) Refer to our website for a full list of terms and conditions.

# VENICE Pendant

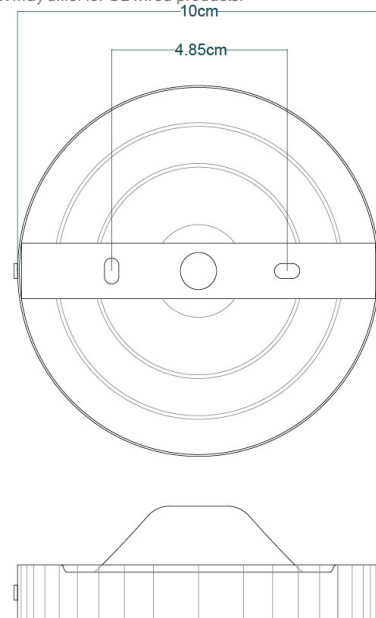
MLP459PCWTEFR White



MATERIAL	Brass   Aluminium
HEIGHT	19cm   7.48"
WIDTH   DIAMETER	17cm   6.69"
LENGTH   PROJECTION	n/a
WEIGHT	0.88KG   1.94lbs
LAMP HOLDER	E27 or E26 *
MAX WATTAGE	40W x 1
VOLTAGE	220/240v or 110/120v *
IP RATING	20
CLASS PROTECTION	I
SHADE CODE	GL180
CABLE   CHAIN   BAR LENGT	100cm   40"
CABLE TYPE	MLCA028   2 Core Round   Black Braid   PVC

### Fixing Bracket MLWB02 | White

\* Fixing bracket may differ for UL wired products.

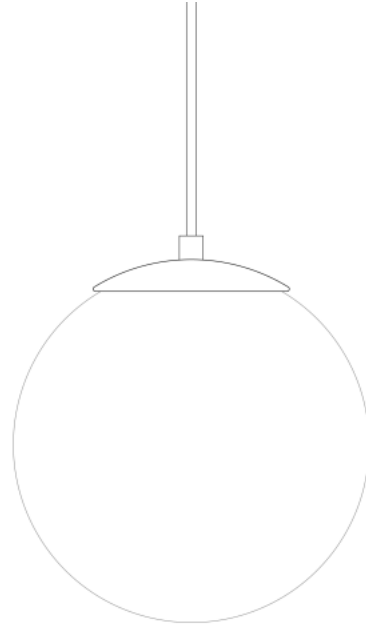


#### Product Notes:

1) Bulbs not included. 2) Dimensions do not include bulbs. 3) All products are individually made-to-order and therefore may differ slightly within manufacturing tolerances. 4) Cable / chain can be shortened during installation. Longer cable / chain lengths available on request. 5) Additional colour finishes may be available on request. 6) UL wired products operate at 110/120v with the appropriate lamp holder. 7) Twisted cable is not available for UL wired products. Round cable in black or brown only is supplied instead. 8) Refer to our website for a full list of terms and conditions.

# VENICE Pendant

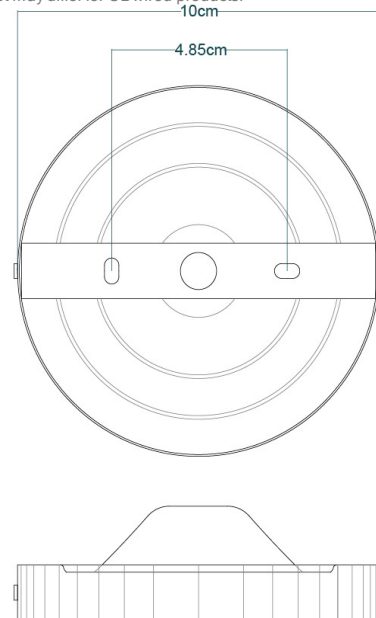
MLP459PCWTESM White



MATERIAL	Brass   Glass   Aluminium
HEIGHT	19cm   7.48"
WIDTH   DIAMETER	17cm   6.69"
LENGTH   PROJECTION	n/a
WEIGHT	0.88KG   1.94lbs
LAMP HOLDER	E27 or E26 *
MAX WATTAGE	40W x 1
VOLTAGE	220/240v or 110/120v *
IP RATING	20
CLASS PROTECTION	I
SHADE CODE	GL183
CABLE   CHAIN   BAR LENGT	100cm   40"
CABLE TYPE	MLCA028   2 Core Round   Black Braid   PVC

### Fixing Bracket MLWB02 | White

\* Fixing bracket may differ for UL wired products.

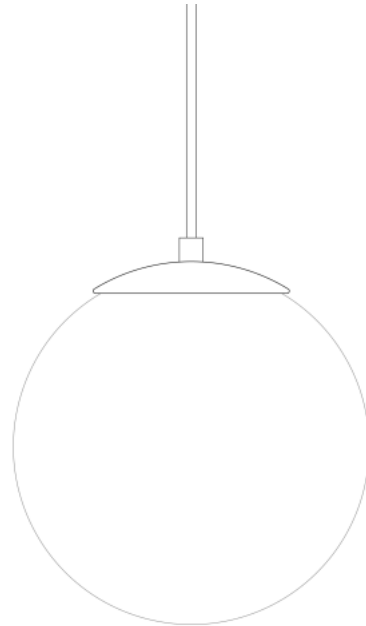


#### Product Notes:

1) Bulbs not included. 2) Dimensions do not include bulbs. 3) All products are individually made-to-order and therefore may differ slightly within manufacturing tolerances. 4) Cable / chain can be shortened during installation. Longer cable / chain lengths available on request. 5) Additional colour finishes may be available on request. 6) UL wired products operate at 110/120v with the appropriate lamp holder. 7) Twisted cable is not available for UL wired products. Round cable in black or brown only is supplied instead. 8) Refer to our website for a full list of terms and conditions.

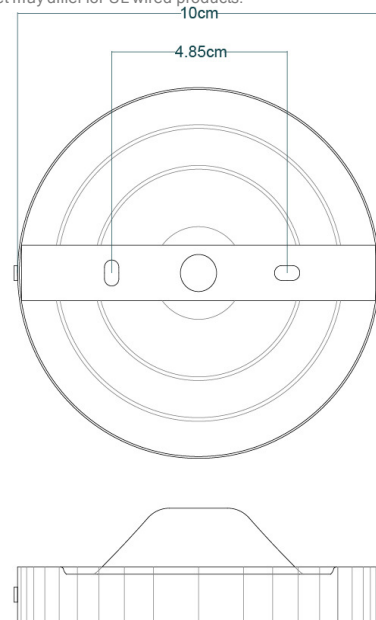
# VENICE Pendant

MLP459POLBRSCS Polished Brass



MATERIAL	Brass   Aluminium
HEIGHT	19cm   7.48"
WIDTH   DIAMETER	17cm   6.69"
LENGTH   PROJECTION	n/a
WEIGHT	0.88KG   1.94lbs
LAMP HOLDER	E27 or E26 *
MAX WATTAGE	40W x 1
VOLTAGE	220/240v or 110/120v *
IP RATING	20
CLASS PROTECTION	I
SHADE CODE	GL179
CABLE   CHAIN   BAR LENGT	100cm   40"
CABLE TYPE	MLCA028   2 Core Round   Black Braid   PVC

Fixing Bracket MLWB02 | Polished Brass  
 \* Fixing bracket may differ for UL wired products.

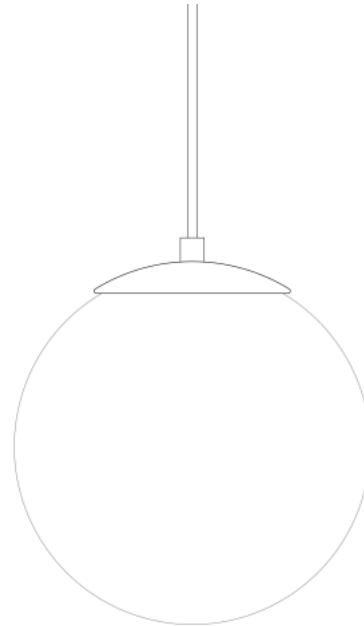


Product Notes:

1) Bulbs not included. 2) Dimensions do not include bulbs. 3) All products are individually made-to-order and therefore may differ slightly within manufacturing tolerances. 4) Cable / chain can be shortened during installation. Longer cable / chain lengths available on request. 5) Additional colour finishes may be available on request. 6) UL wired products operate at 110/120v with the appropriate lamp holder. 7) Twisted cable is not available for UL wired products. Round cable in black or brown only is supplied instead. 8) Refer to our website for a full list of terms and conditions.

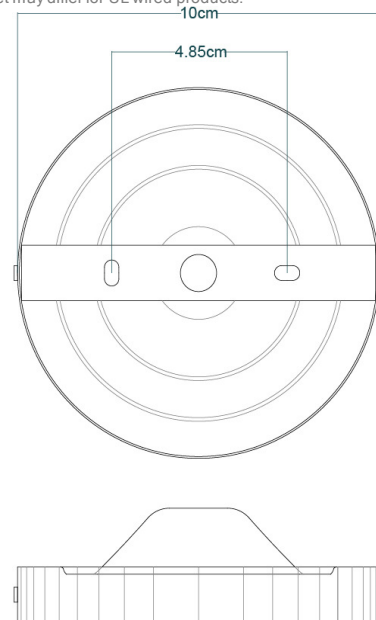
# VENICE Pendant

MLP459POLBRSFR Polished Brass



MATERIAL	Brass   Aluminium
HEIGHT	19cm   7.48"
WIDTH   DIAMETER	17cm   6.69"
LENGTH   PROJECTION	n/a
WEIGHT	0.88KG   1.94lbs
LAMP HOLDER	E27 or E26 *
MAX WATTAGE	40W x 1
VOLTAGE	220/240v or 110/120v *
IP RATING	20
CLASS PROTECTION	I
SHADE CODE	GL180
CABLE   CHAIN   BAR LENGT	100cm   40"
CABLE TYPE	MLCA028   2 Core Round   Black Braid   PVC

Fixing Bracket MLWB02 | Polished Brass  
 \* Fixing bracket may differ for UL wired products.

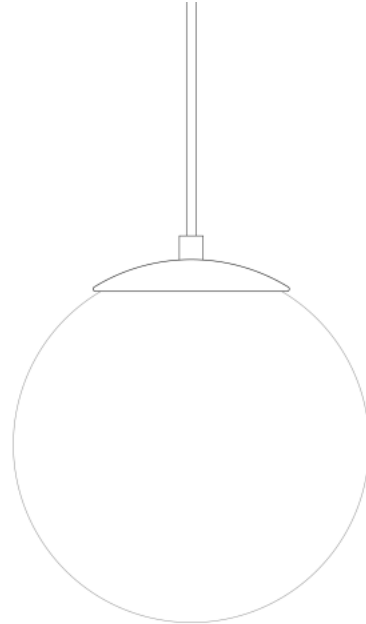


**Product Notes:**

1) Bulbs not included. 2) Dimensions do not include bulbs. 3) All products are individually made-to-order and therefore may differ slightly within manufacturing tolerances. 4) Cable / chain can be shortened during installation. Longer cable / chain lengths available on request. 5) Additional colour finishes may be available on request. 6) UL wired products operate at 110/120v with the appropriate lamp holder. 7) Twisted cable is not available for UL wired products. Round cable in black or brown only is supplied instead. 8) Refer to our website for a full list of terms and conditions.

# VENICE Pendant

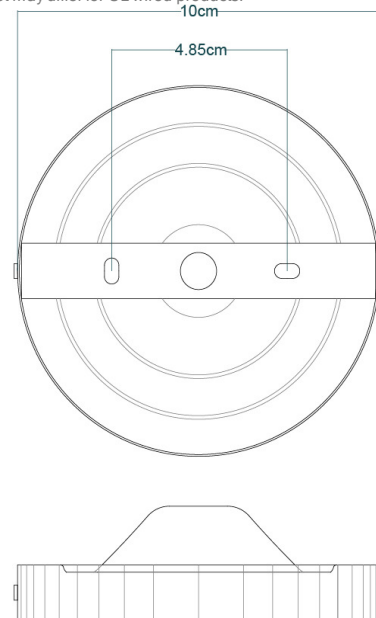
MLP459POLBRSSM Polished Brass



MATERIAL	Brass   Glass
HEIGHT	19cm   7.48"
WIDTH   DIAMETER	17cm   6.69"
LENGTH   PROJECTION	n/a
WEIGHT	0.88KG   1.94lbs
LAMP HOLDER	E27 or E26 *
MAX WATTAGE	40W x 1
VOLTAGE	220/240v or 110/120v *
IP RATING	20
CLASS PROTECTION	I
SHADE CODE	GL183
CABLE   CHAIN   BAR LENGT	100cm   40"
CABLE TYPE	MLCA028   2 Core Round   Black Braid   PVC

**Fixing Bracket MLWB02 | Polished Brass**

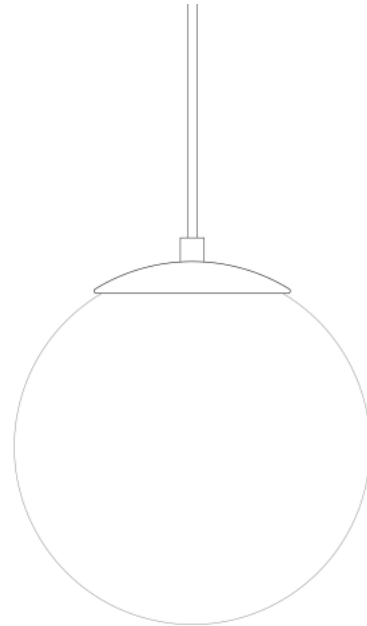
\* Fixing bracket may differ for UL wired products.



**Product Notes:**

1) Bulbs not included. 2) Dimensions do not include bulbs. 3) All products are individually made-to-order and therefore may differ slightly within manufacturing tolerances. 4) Cable / chain can be shortened during installation. Longer cable / chain lengths available on request. 5) Additional colour finishes may be available on request. 6) UL wired products operate at 110/120v with the appropriate lamp holder. 7) Twisted cable is not available for UL wired products. Round cable in black or brown only is supplied instead. 8) Refer to our website for a full list of terms and conditions.

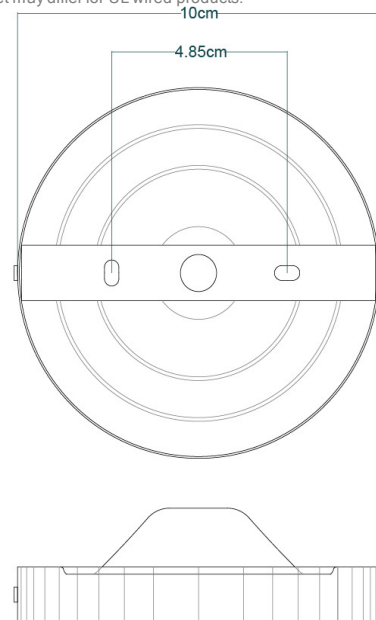




MATERIAL	Brass   Aluminium
HEIGHT	19cm   7.48"
WIDTH   DIAMETER	17cm   6.69"
LENGTH   PROJECTION	n/a
WEIGHT	0.88KG   1.94lbs
LAMP HOLDER	E27 or E26 *
MAX WATTAGE	40W x 1
VOLTAGE	220/240v or 110/120v *
IP RATING	20
CLASS PROTECTION	I
SHADE CODE	GL179
CABLE   CHAIN   BAR LENGT	100cm   40"
CABLE TYPE	MLCA028   2 Core Round   Black Braid   PVC

Fixing Bracket MLWB02 | Satin Brass

\* Fixing bracket may differ for UL wired products.

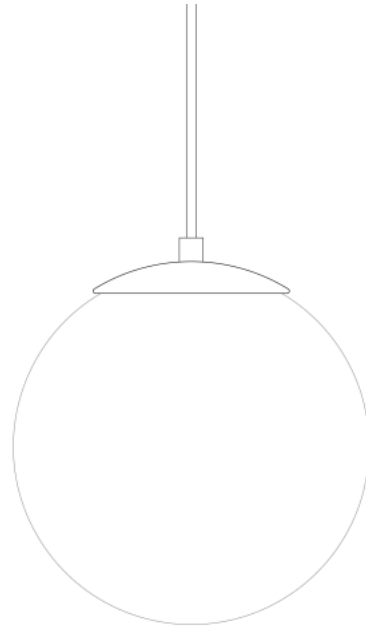


Product Notes:

1) Bulbs not included. 2) Dimensions do not include bulbs. 3) All products are individually made-to-order and therefore may differ slightly within manufacturing tolerances. 4) Cable / chain can be shortened during installation. Longer cable / chain lengths available on request. 5) Additional colour finishes may be available on request. 6) UL wired products operate at 110/120v with the appropriate lamp holder. 7) Twisted cable is not available for UL wired products. Round cable in black or brown only is supplied instead. 8) Refer to our website for a full list of terms and conditions.

# VENICE Pendant

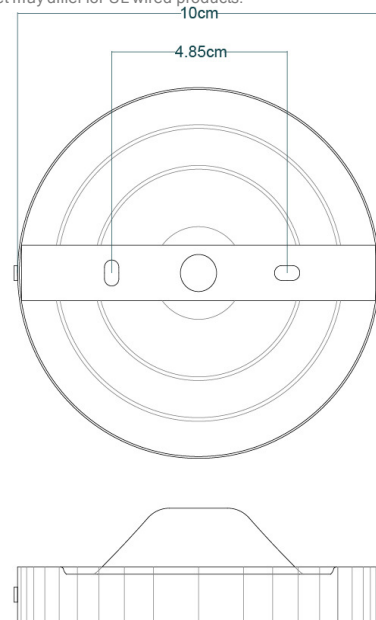
MLP459SATBRSFR Satin Brass



MATERIAL	Brass   Aluminium
HEIGHT	19cm   7.48"
WIDTH   DIAMETER	17cm   6.69"
LENGTH   PROJECTION	n/a
WEIGHT	0.88KG   1.94lbs
LAMP HOLDER	E27 or E26 *
MAX WATTAGE	40W x 1
VOLTAGE	220/240v or 110/120v *
IP RATING	20
CLASS PROTECTION	I
SHADE CODE	GL180
CABLE   CHAIN   BAR LENGT	100cm   40"
CABLE TYPE	MLCA028   2 Core Round   Black Braid   PVC

### Fixing Bracket MLWB02 | Satin Brass

\* Fixing bracket may differ for UL wired products.

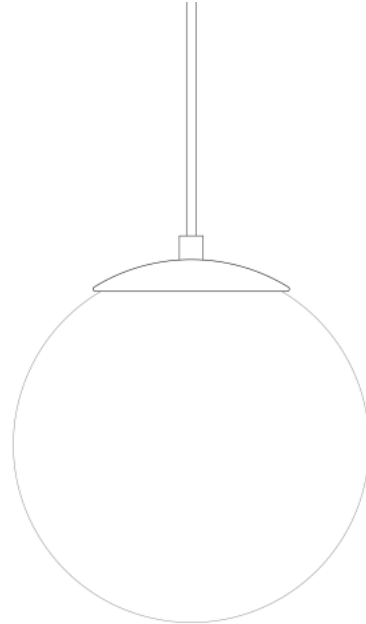


#### Product Notes:

1) Bulbs not included. 2) Dimensions do not include bulbs. 3) All products are individually made-to-order and therefore may differ slightly within manufacturing tolerances. 4) Cable / chain can be shortened during installation. Longer cable / chain lengths available on request. 5) Additional colour finishes may be available on request. 6) UL wired products operate at 110/120v with the appropriate lamp holder. 7) Twisted cable is not available for UL wired products. Round cable in black or brown only is supplied instead. 8) Refer to our website for a full list of terms and conditions.

# VENICE Pendant

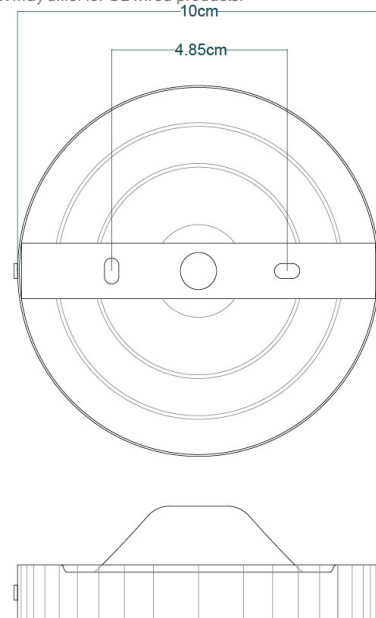
MLP459SATBRSSM Satin Brass



MATERIAL	Brass   Glass
HEIGHT	19cm   7.48"
WIDTH   DIAMETER	17cm   6.69"
LENGTH   PROJECTION	n/a
WEIGHT	0.88KG   1.94lbs
LAMP HOLDER	E27 or E26 *
MAX WATTAGE	40W x 1
VOLTAGE	220/240v or 110/120v *
IP RATING	20
CLASS PROTECTION	I
SHADE CODE	GL183
CABLE   CHAIN   BAR LENGT	100cm   40"
CABLE TYPE	MLCA028   2 Core Round   Black Braid   PVC

**Fixing Bracket MLWB02 | Satin Brass**

\* Fixing bracket may differ for UL wired products.



**Product Notes:**

1) Bulbs not included. 2) Dimensions do not include bulbs. 3) All products are individually made-to-order and therefore may differ slightly within manufacturing tolerances. 4) Cable / chain can be shortened during installation. Longer cable / chain lengths available on request. 5) Additional colour finishes may be available on request. 6) UL wired products operate at 110/120v with the appropriate lamp holder. 7) Twisted cable is not available for UL wired products. Round cable in black or brown only is supplied instead. 8) Refer to our website for a full list of terms and conditions.