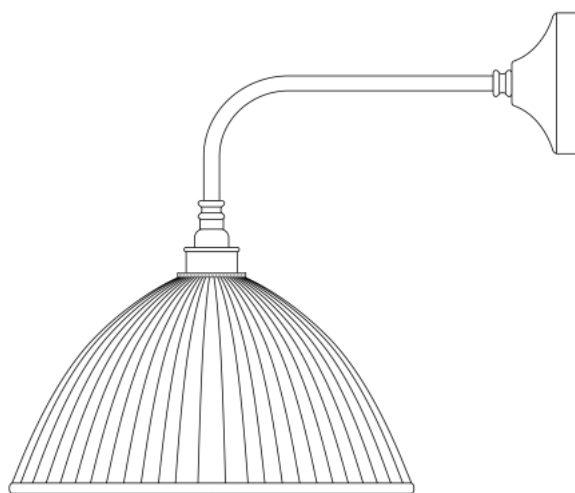


NOVA Wall Light

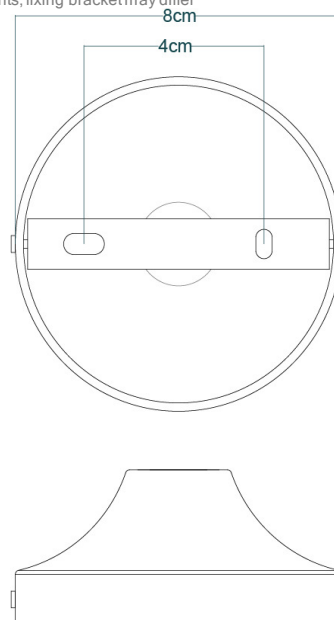
MLWL370ANTBRS Antique Brass



MATERIAL	Brass Glass
HEIGHT	31cm 12.2"
WIDTH DIAMETER	30cm 11.81"
LENGTH PROJECTION	35cm 13.78"
WEIGHT	2.01KG 4.43lbs
LAMPHOLDER	E27 or E26
MAX WATTAGE	40W x 1
VOLTAGE	220/240v or 110/120v
IP RATING	20
CLASS PROTECTION	I
SHADE	GL025
FLEX BAR CHAIN LENGT	n/a
CABLE TYPE	-

Fixing Bracket MLWB03 | Antique Brass

*For UL wired lights, fixing bracket may differ

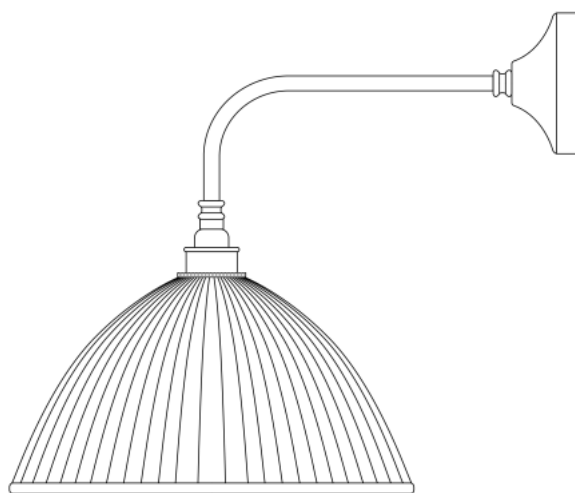


Product Notes:

1) Lamps not included with light fixture. 2) All products are individually hand crafted, therefore may differ slightly within manufacturing tolerances. 3) Please refer to: <http://www.mullanlighting.com/terms> for full list of Terms & Conditions. 4) Cable/Chain can be shortened during installation. 5) Longer Cable/Chain available on request. 6) Additional colour finishes available on request. 7.) Dimensions do not include lamps. 8.) Products wired to UL standards will operate at 110/120v with the appropriate lampholders.

NOVA Wall Light

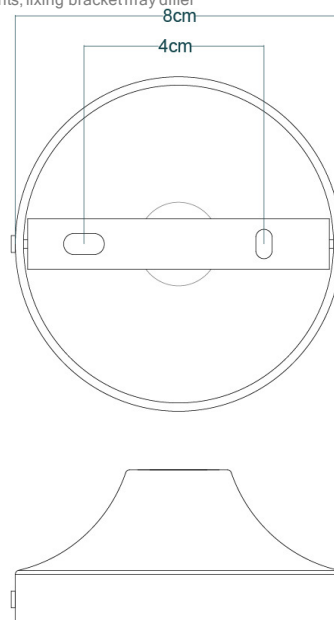
MLWL370ANTSLV Antique Silver



MATERIAL	Brass Glass
HEIGHT	31cm 12.2"
WIDTH DIAMETER	30cm 11.81"
LENGTH PROJECTION	35cm 13.78"
WEIGHT	2.01KG 4.43lbs
LAMPHOLDER	E27 or E26
MAX WATTAGE	40W x 1
VOLTAGE	220/240v or 110/120v
IP RATING	20
CLASS PROTECTION	I
SHADE	GL025
FLEX BAR CHAIN LENGT	n/a
CABLE TYPE	-

Fixing Bracket MLWB03 | Antique Silver

*For UL wired lights, fixing bracket may differ

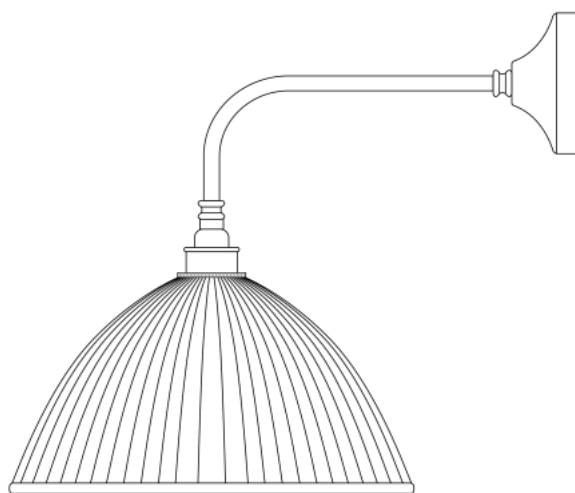


Product Notes:

1) Lamps not included with light fixture. 2) All products are individually hand crafted, therefore may differ slightly within manufacturing tolerances. 3) Please refer to: <http://www.mullanlighting.com/terms> for full list of Terms & Conditions. 4) Cable/Chain can be shortened during installation. 5) Longer Cable/Chain available on request. 6) Additional colour finishes available on request. 7.) Dimensions do not include lamps. 8.) Products wired to UL standards will operate at 110/120v with the appropriate lampholders.

NOVA Wall Light

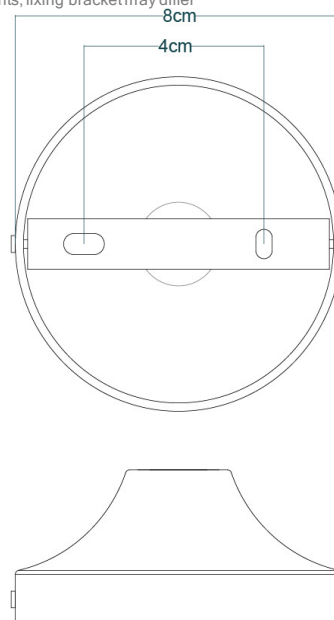
MLWL370POLBRS Polished Brass



MATERIAL	Brass Glass
HEIGHT	31cm 12.2"
WIDTH DIAMETER	30cm 11.81"
LENGTH PROJECTION	35cm 13.78"
WEIGHT	2.01KG 4.43lbs
LAMPHOLDER	E27 or E26
MAX WATTAGE	40W x 1
VOLTAGE	220/240v or 110/120v
IP RATING	20
CLASS PROTECTION	I
SHADE	GL025
FLEX BAR CHAIN LENGT	n/a
CABLE TYPE	-

Fixing Bracket MLWB03 | Polished Brass

*For UL wired lights, fixing bracket may differ

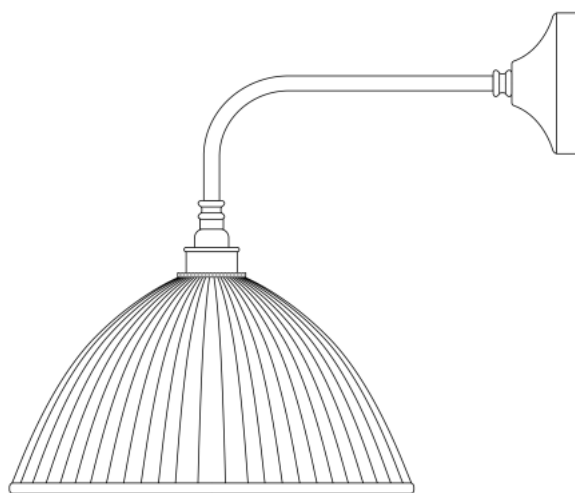


Product Notes:

1) Lamps not included with light fixture. 2) All products are individually hand crafted, therefore may differ slightly within manufacturing tolerances. 3) Please refer to: <http://www.mullanlighting.com/terms> for full list of Terms & Conditions. 4) Cable/Chain can be shortened during installation. 5) Longer Cable/Chain available on request. 6) Additional colour finishes available on request. 7.) Dimensions do not include lamps. 8.) Products wired to UL standards will operate at 110/120v with the appropriate lampholders.

NOVA Wall Light

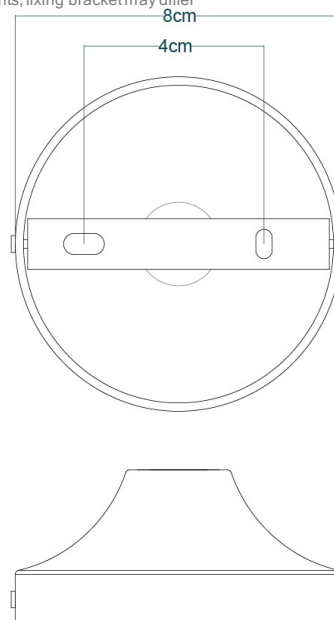
MLWL370SATBRS Satin Brass



MATERIAL	Brass Glass
HEIGHT	31cm 12.2"
WIDTH DIAMETER	30cm 11.81"
LENGTH PROJECTION	35cm 13.78"
WEIGHT	2.01KG 4.43lbs
LAMPHOLDER	E27 or E26
MAX WATTAGE	40W x 1
VOLTAGE	220/240v or 110/120v
IP RATING	20
CLASS PROTECTION	I
SHADE	GL025
FLEX BAR CHAIN LENGT	n/a
CABLE TYPE	-

Fixing Bracket MLWB03 | Satin Brass

*For UL wired lights, fixing bracket may differ



Product Notes:

1) Lamps not included with light fixture. 2) All products are individually hand crafted, therefore may differ slightly within manufacturing tolerances. 3) Please refer to: <http://www.mullanlighting.com/terms> for full list of Terms & Conditions. 4) Cable/Chain can be shortened during installation. 5) Longer Cable/Chain available on request. 6) Additional colour finishes available on request. 7.) Dimensions do not include lamps. 8.) Products wired to UL standards will operate at 110/120v with the appropriate lampholders.