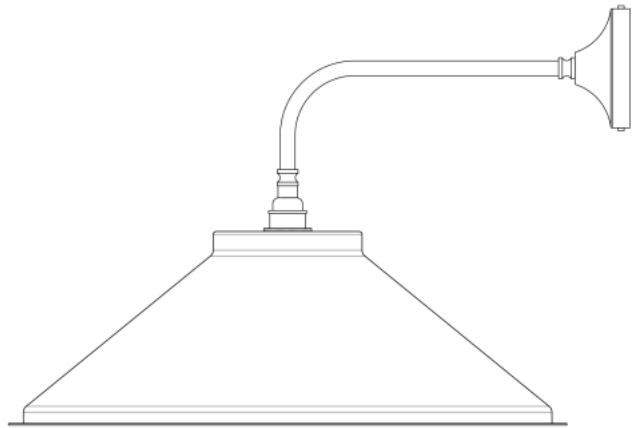


## RIO Wall Light

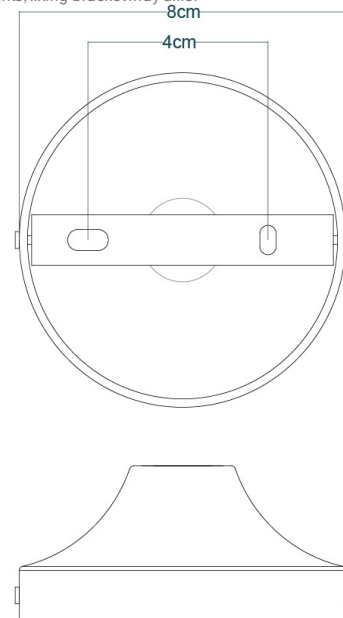
MLWL365ANTBRS Antique Brass



MATERIAL	Brass
HEIGHT	32cm   12.6"
WIDTH   DIAMETER	38cm   14.96"
LENGTH   PROJECTION	42cm   16.54"
WEIGHT	1.1KG   2.43lbs
LAMPHOLDER	E27 or E26
MAX WATTAGE	40W x 1
VOLTAGE	220/240v or 110/120v
IP RATING	20
CLASS PROTECTION	I
SHADE	-
FLEX   BAR   CHAIN LENGT	n/a
CABLE TYPE	-

### Fixing Bracket MLWB03 | Antique Brass

\*For UL wired lights, fixing bracket may differ

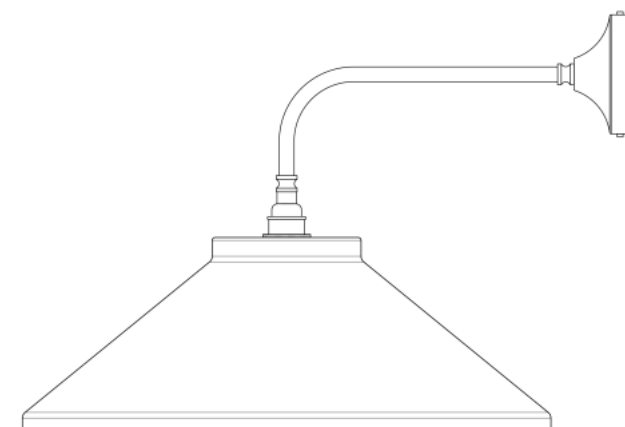


#### Product Notes:

1) Lamps not included with light fixture. 2) All products are individually hand crafted, therefore may differ slightly within manufacturing tolerances. 3) Please refer to: <http://www.mullanlighting.com/terms> for full list of Terms & Conditions. 4) Cable/Chain can be shortened during installation. 5) Longer Cable/Chain available on request. 6) Additional colour finishes available on request. 7.) Dimensions do not include lamps. 8.) Products wired to UL standards will operate at 110/120v with the appropriate lampholders.

## RIO Wall Light

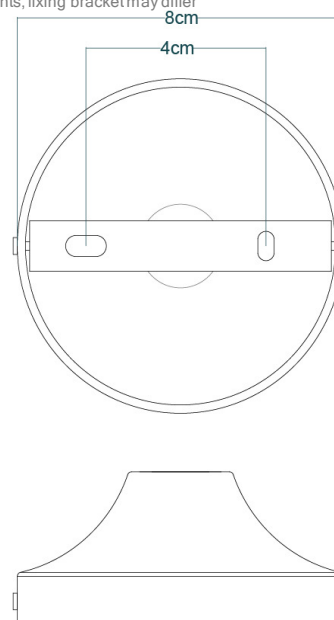
MLWL365ANTSLV Antique Silver



MATERIAL	Brass
HEIGHT	32cm   12.6"
WIDTH   DIAMETER	38cm   14.96"
LENGTH   PROJECTION	42cm   16.54"
WEIGHT	1.1KG   2.43lbs
LAMPHOLDER	E27 or E26
MAX WATTAGE	40W x 1
VOLTAGE	220/240v or 110/120v
IP RATING	20
CLASS PROTECTION	I
SHADE	-
FLEX   BAR   CHAIN LENGT	n/a
CABLE TYPE	-

### Fixing Bracket MLWB03 | Antique Silver

\*For UL wired lights, fixing bracket may differ

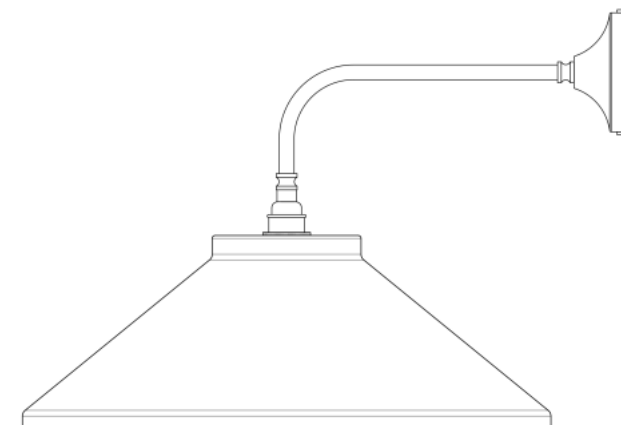


#### Product Notes:

1) Lamps not included with light fixture. 2) All products are individually hand crafted, therefore may differ slightly within manufacturing tolerances. 3) Please refer to: <http://www.mullanlighting.com/terms> for full list of Terms & Conditions. 4) Cable/Chain can be shortened during installation. 5) Longer Cable/Chain available on request. 6) Additional colour finishes available on request. 7.) Dimensions do not include lamps. 8.) Products wired to UL standards will operate at 110/120v with the appropriate lampholders.

# RIO Wall Light

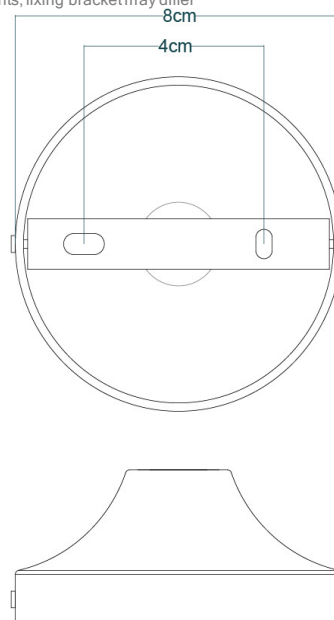
MLWL365POLBRS Polished Brass



MATERIAL	Brass
HEIGHT	32cm   12.6"
WIDTH   DIAMETER	38cm   14.96"
LENGTH   PROJECTION	42cm   16.54"
WEIGHT	1.1KG   2.43lbs
LAMPHOLDER	E27 or E26
MAX WATTAGE	40W x 1
VOLTAGE	220/240v or 110/120v
IP RATING	20
CLASS PROTECTION	I
SHADE	-
FLEX   BAR   CHAIN LENGT	n/a
CABLE TYPE	-

### Fixing Bracket MLWB03 | Polished Brass

\*For UL wired lights, fixing bracket may differ

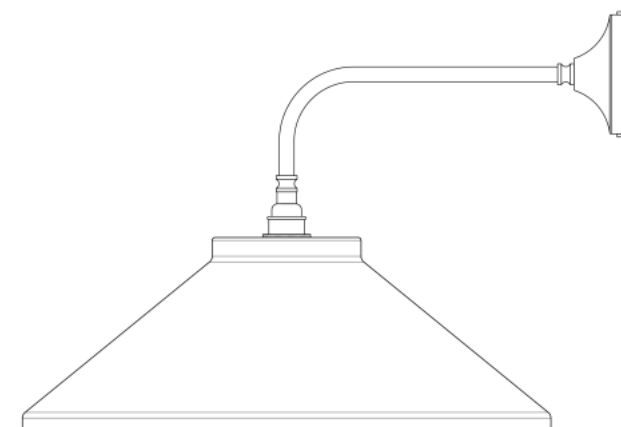


**Product Notes:**

1) Lamps not included with light fixture. 2) All products are individually hand crafted, therefore may differ slightly within manufacturing tolerances. 3) Please refer to: <http://www.mullanlighting.com/terms> for full list of Terms & Conditions. 4) Cable/Chain can be shortened during installation. 5) Longer Cable/Chain available on request. 6) Additional colour finishes available on request. 7.) Dimensions do not include lamps. 8.) Products wired to UL standards will operate at 110/120v with the appropriate lampholders.

## RIO Wall Light

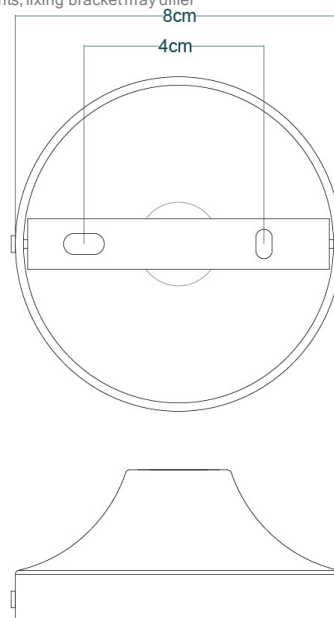
MLWL365SATBRS Satin Brass



MATERIAL	Brass
HEIGHT	32cm   12.6"
WIDTH   DIAMETER	38cm   14.96"
LENGTH   PROJECTION	42cm   16.54"
WEIGHT	1.1KG   2.43lbs
LAMPHOLDER	E27 or E26
MAX WATTAGE	40W x 1
VOLTAGE	220/240v or 110/120v
IP RATING	20
CLASS PROTECTION	I
SHADE	-
FLEX   BAR   CHAIN LENGT	n/a
CABLE TYPE	-

### Fixing Bracket MLWB03 | Satin Brass

\*For UL wired lights, fixing bracket may differ



#### Product Notes:

1) Lamps not included with light fixture. 2) All products are individually hand crafted, therefore may differ slightly within manufacturing tolerances. 3) Please refer to: <http://www.mullanlighting.com/terms> for full list of Terms & Conditions. 4) Cable/Chain can be shortened during installation. 5) Longer Cable/Chain available on request. 6) Additional colour finishes available on request. 7.) Dimensions do not include lamps. 8.) Products wired to UL standards will operate at 110/120v with the appropriate lampholders.