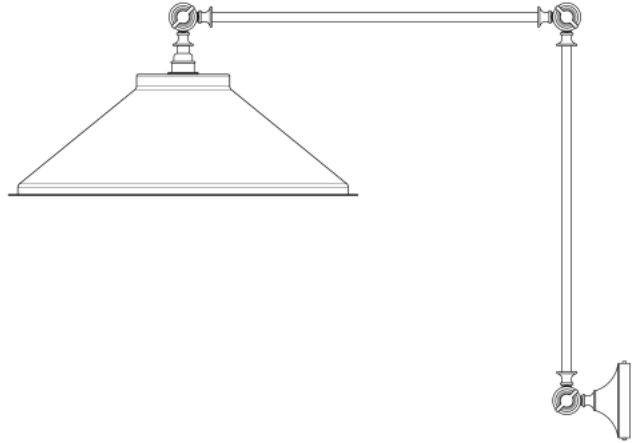


RIO Wall Light

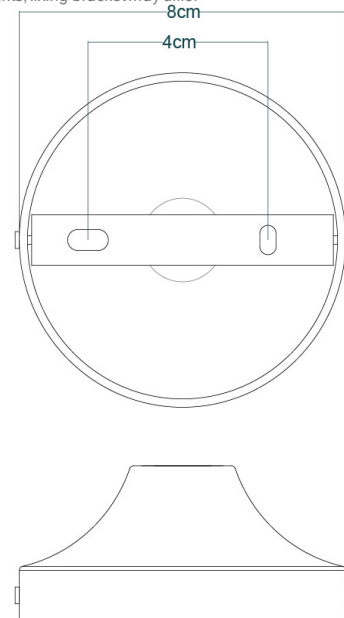
MLWL165ANTBRS Antique Brass



| | |
|--------------------------|------------------------|
| MATERIAL | Brass |
| HEIGHT | 36-50cm 14.17-19.69" |
| WIDTH DIAMETER | 37cm 14.57" |
| LENGTH PROJECTION | 40-96cm 15.75-37.8" |
| WEIGHT | 2.1KG 4.63lbs |
| LAMPHOLDER | E27 or E26 |
| MAX WATTAGE | 40W x 1 |
| VOLTAGE | 220/240v or 110/120v |
| IP RATING | 20 |
| CLASS PROTECTION | I |
| SHADE | - |
| FLEX BAR CHAIN LENGT | n/a |
| CABLE TYPE | - |

Fixing Bracket MLWB03 | Antique Brass

*For UL wired lights, fixing bracket may differ

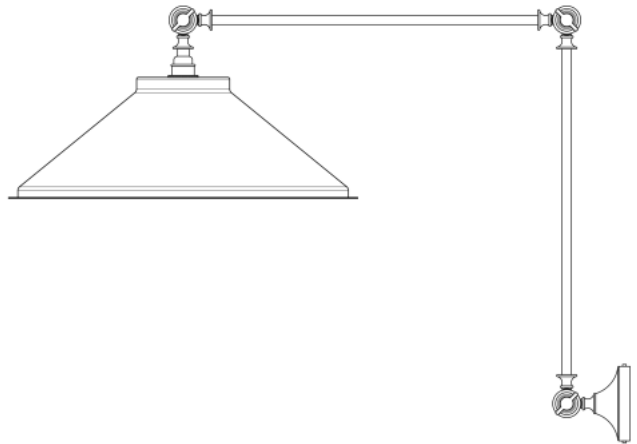


Product Notes:

1) Lamps not included with light fixture. 2) All products are individually hand crafted, therefore may differ slightly within manufacturing tolerances. 3) Please refer to: <http://www.mullanlighting.com/terms> for full list of Terms & Conditions. 4) Cable/Chain can be shortened during installation. 5) Longer Cable/Chain available on request. 6) Additional colour finishes available on request. 7.) Dimensions do not include lamps. 8.) Products wired to UL standards will operate at 110/120v with the appropriate lampholders.

RIO Wall Light

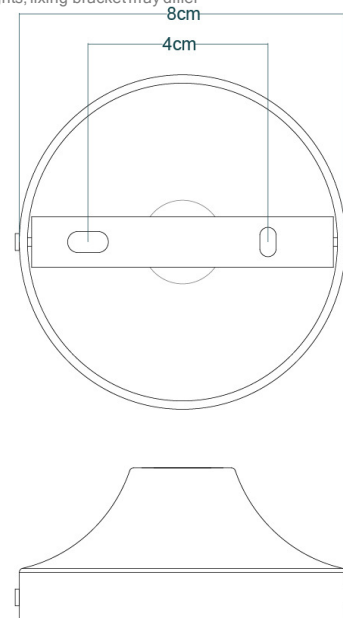
MLWL165ANTSLV Antique Silver



| | |
|--------------------------|------------------------|
| MATERIAL | Brass |
| HEIGHT | 36-50cm 14.17-19.69" |
| WIDTH DIAMETER | 37cm 14.57" |
| LENGTH PROJECTION | 40-96cm 15.75-37.8" |
| WEIGHT | 2.1KG 4.63lbs |
| LAMPHOLDER | E27 or E26 |
| MAX WATTAGE | 40W x 1 |
| VOLTAGE | 220/240v or 110/120v |
| IP RATING | 20 |
| CLASS PROTECTION | I |
| SHADE | - |
| FLEX BAR CHAIN LENGT | n/a |
| CABLE TYPE | - |

Fixing Bracket MLWB03 | Antique Silver

*For UL wired lights, fixing bracket may differ

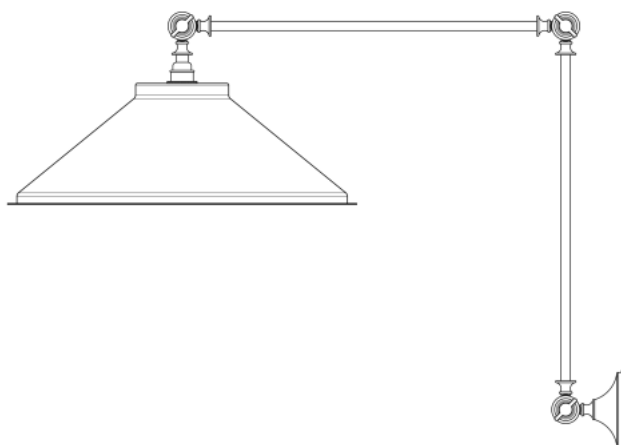


Product Notes:

1) Lamps not included with light fixture. 2) All products are individually hand crafted, therefore may differ slightly within manufacturing tolerances. 3) Please refer to: <http://www.mullanlighting.com/terms> for full list of Terms & Conditions. 4) Cable/Chain can be shortened during installation. 5) Longer Cable/Chain available on request. 6) Additional colour finishes available on request. 7.) Dimensions do not include lamps. 8.) Products wired to UL standards will operate at 110/120v with the appropriate lampholders.

RIO Wall Light

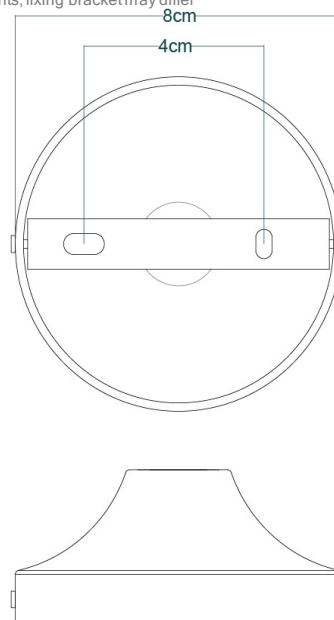
MLWL165POLBRS Polished Brass



| | |
|--------------------------|------------------------|
| MATERIAL | Brass |
| HEIGHT | 36-50cm 14.17-19.69" |
| WIDTH DIAMETER | 37cm 14.57" |
| LENGTH PROJECTION | 40-96cm 15.75-37.8" |
| WEIGHT | 2.1KG 4.63lbs |
| LAMPHOLDER | E27 or E26 |
| MAX WATTAGE | 40W x 1 |
| VOLTAGE | 220/240v or 110/120v |
| IP RATING | 20 |
| CLASS PROTECTION | I |
| SHADE | - |
| FLEX BAR CHAIN LENGT | n/a |
| CABLE TYPE | - |

Fixing Bracket MLWB03 | Polished Brass

*For UL wired lights, fixing bracket may differ

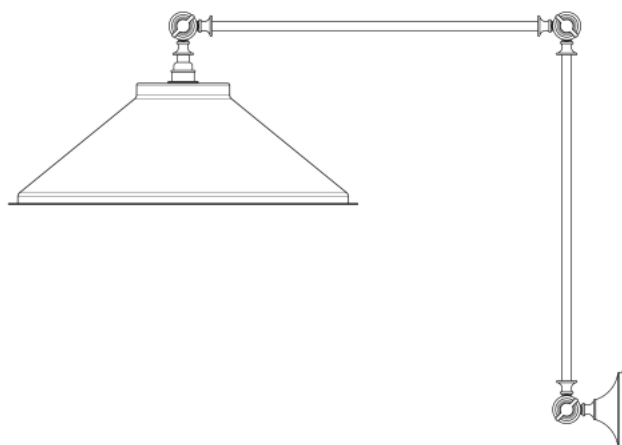


Product Notes:

1) Lamps not included with light fixture. 2) All products are individually hand crafted, therefore may differ slightly within manufacturing tolerances. 3) Please refer to: <http://www.mullanlighting.com/terms> for full list of Terms & Conditions. 4) Cable/Chain can be shortened during installation. 5) Longer Cable/Chain available on request. 6) Additional colour finishes available on request. 7.) Dimensions do not include lamps. 8.) Products wired to UL standards will operate at 110/120v with the appropriate lampholders.

RIO Wall Light

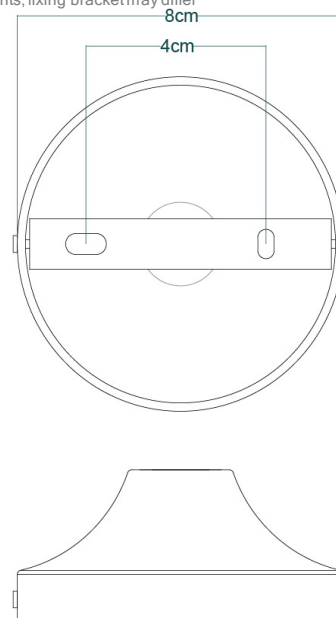
MLWL165SATBRS Satin Brass



| | |
|--------------------------|------------------------|
| MATERIAL | Brass |
| HEIGHT | 36-50cm 14.17-19.69" |
| WIDTH DIAMETER | 37cm 14.57" |
| LENGTH PROJECTION | 40-96cm 15.75-37.8" |
| WEIGHT | 2.1KG 4.63lbs |
| LAMPHOLDER | E27 or E26 |
| MAX WATTAGE | 40W x 1 |
| VOLTAGE | 220/240v or 110/120v |
| IP RATING | 20 |
| CLASS PROTECTION | I |
| SHADE | - |
| FLEX BAR CHAIN LENGT | n/a |
| CABLE TYPE | - |

Fixing Bracket MLWB03 | Satin Brass

*For UL wired lights, fixing bracket may differ



Product Notes:

1) Lamps not included with light fixture. 2) All products are individually hand crafted, therefore may differ slightly within manufacturing tolerances. 3) Please refer to: <http://www.mullanlighting.com/terms> for full list of Terms & Conditions. 4) Cable/Chain can be shortened during installation. 5) Longer Cable/Chain available on request. 6) Additional colour finishes available on request. 7.) Dimensions do not include lamps. 8.) Products wired to UL standards will operate at 110/120v with the appropriate lampholders.