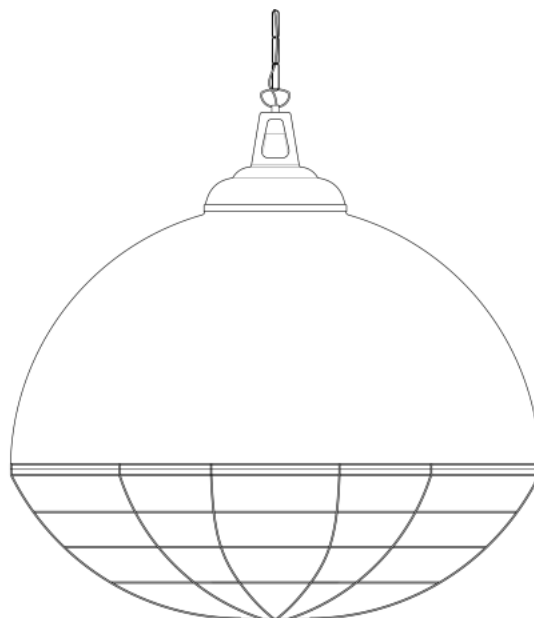


BRUSSELS Pendant

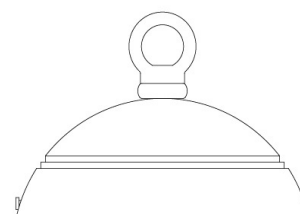
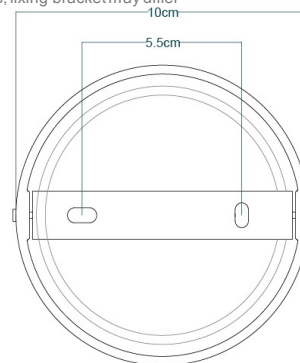
MLP395PCBLK Black



| | |
|--------------------------|--------------------------------------|
| MATERIAL | Aluminium Steel |
| HEIGHT | 65cm 25.59" |
| WIDTH DIAMETER | 75cm 29.53" |
| LENGTH PROJECTION | n/a |
| WEIGHT | 6KG 13.23lbs |
| LAMPHOLDER | E27 or E26 |
| MAX WATTAGE | 60W x 1 |
| VOLTAGE | 220/240v or 110/120v |
| IP RATING | 20 |
| CLASS PROTECTION | I |
| SHADE | - |
| FLEX BAR CHAIN LENGT | 100cm 40" |
| CABLE TYPE | MLCA037 3 Core Round Black PVC |

Fixing Bracket MLROSE15 | Black

*For UL wired lights, fixing bracket may differ

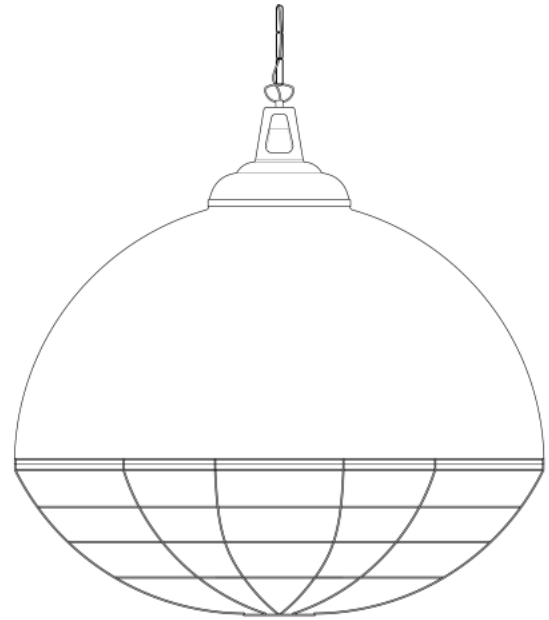


Product Notes:

1) Lamps not included with light fixture. 2) All products are individually hand crafted, therefore may differ slightly within manufacturing tolerances. 3) Please refer to: <http://www.mullanlighting.com/terms> for full list of Terms & Conditions. 4) Cable/Chain can be shortened during installation. 5) Longer Cable/Chain available on request. 6) Additional colour finishes available on request. 7.) Dimensions do not include lamps. 8.) Products wired to UL standards will operate at 110/120v with the appropriate lampholders.

BRUSSELS Pendant

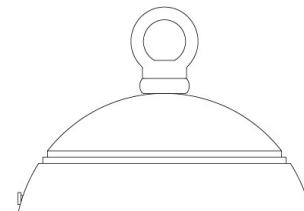
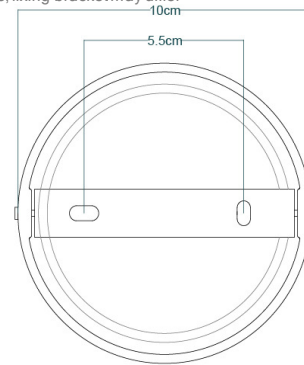
MLP395PCBRZ Bronze



| | |
|--------------------------|--------------------------------------|
| MATERIAL | Aluminium Steel |
| HEIGHT | 65cm 25.59" |
| WIDTH DIAMETER | 75cm 29.53" |
| LENGTH PROJECTION | n/a |
| WEIGHT | 6KG 13.23lbs |
| LAMPHOLDER | E27 or E26 |
| MAX WATTAGE | 60W x 1 |
| VOLTAGE | 220/240v or 110/120v |
| IP RATING | 20 |
| CLASS PROTECTION | I |
| SHADE | - |
| FLEX BAR CHAIN LENGT | 100cm 40" |
| CABLE TYPE | MLCA036 3 Core Round Brown PVC |

Fixing Bracket MLROSE15 | Antique Brass

*For UL wired lights, fixing bracket may differ

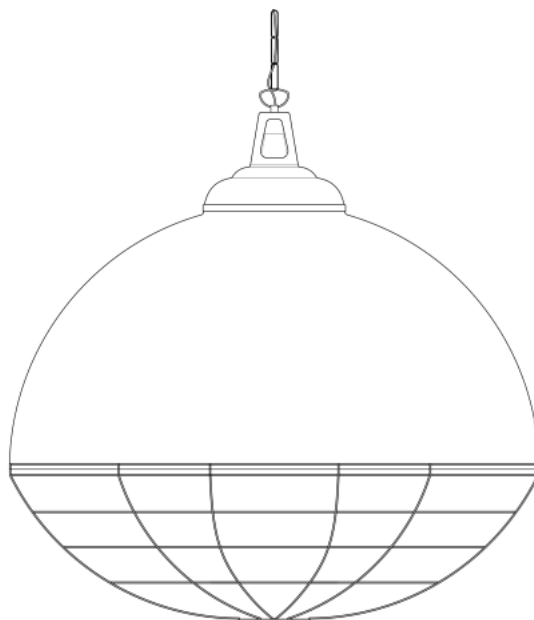


Product Notes:

1) Lamps not included with light fixture. 2) All products are individually hand crafted, therefore may differ slightly within manufacturing tolerances. 3) Please refer to: <http://www.mullanlighting.com/terms> for full list of Terms & Conditions. 4) Cable/Chain can be shortened during installation. 5) Longer Cable/Chain available on request. 6) Additional colour finishes available on request. 7.) Dimensions do not include lamps. 8.) Products wired to UL standards will operate at 110/120v with the appropriate lampholders.

BRUSSELS Pendant

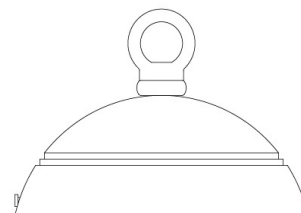
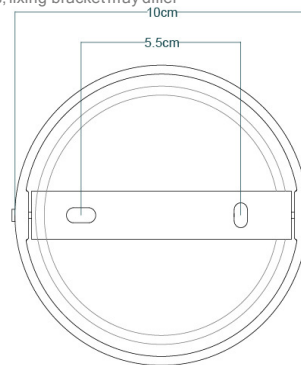
MLP395PCGRN Sage Green



| | |
|--------------------------|--------------------------------------|
| MATERIAL | Aluminium Steel |
| HEIGHT | 65cm 25.59" |
| WIDTH DIAMETER | 75cm 29.53" |
| LENGTH PROJECTION | n/a |
| WEIGHT | 6KG 13.23lbs |
| LAMPHOLDER | E27 or E26 |
| MAX WATTAGE | 60W x 1 |
| VOLTAGE | 220/240v or 110/120v |
| IP RATING | 20 |
| CLASS PROTECTION | I |
| SHADE | - |
| FLEX BAR CHAIN LENGT | 100cm 40" |
| CABLE TYPE | MLCA037 3 Core Round Black PVC |

Fixing Bracket MLROSE15 | Sage Green

*For UL wired lights, fixing bracket may differ

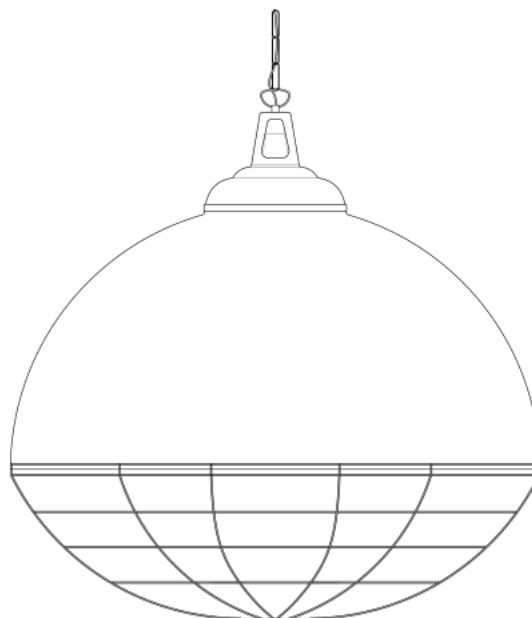


Product Notes:

1) Lamps not included with light fixture. 2) All products are individually hand crafted, therefore may differ slightly within manufacturing tolerances. 3) Please refer to: <http://www.mullanlighting.com/terms> for full list of Terms & Conditions. 4) Cable/Chain can be shortened during installation. 5) Longer Cable/Chain available on request. 6) Additional colour finishes available on request. 7.) Dimensions do not include lamps. 8.) Products wired to UL standards will operate at 110/120v with the appropriate lampholders.

BRUSSELS Pendant

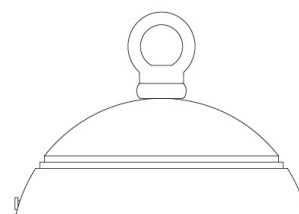
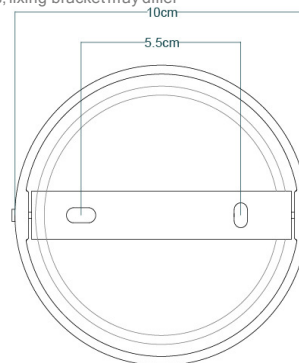
MLP395PCGRY Grey



| | |
|--------------------------|--------------------------------------|
| MATERIAL | Aluminium Steel |
| HEIGHT | 65cm 25.59" |
| WIDTH DIAMETER | 75cm 29.53" |
| LENGTH PROJECTION | n/a |
| WEIGHT | 6KG 13.23lbs |
| LAMPHOLDER | E27 or E26 |
| MAX WATTAGE | 60W x 1 |
| VOLTAGE | 220/240v or 110/120v |
| IP RATING | 20 |
| CLASS PROTECTION | I |
| SHADE | - |
| FLEX BAR CHAIN LENGT | 100cm 40" |
| CABLE TYPE | MLCA037 3 Core Round Black PVC |

Fixing Bracket MLROSE15 | Grey

*For UL wired lights, fixing bracket may differ

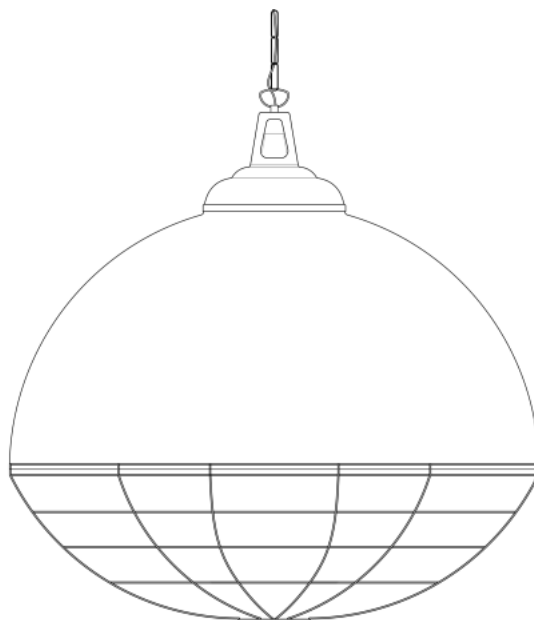


Product Notes:

1) Lamps not included with light fixture. 2) All products are individually hand crafted, therefore may differ slightly within manufacturing tolerances. 3) Please refer to: <http://www.mullanlighting.com/terms> for full list of Terms & Conditions. 4) Cable/Chain can be shortened during installation. 5) Longer Cable/Chain available on request. 6) Additional colour finishes available on request. 7.) Dimensions do not include lamps. 8.) Products wired to UL standards will operate at 110/120v with the appropriate lampholders.

BRUSSELS Pendant

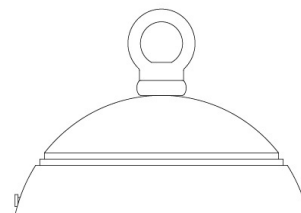
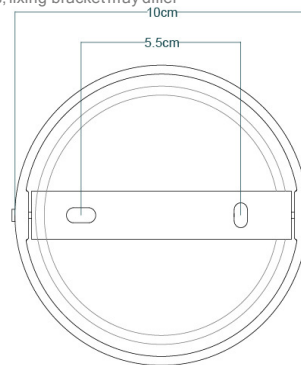
MLP395PCMBK Matt Black



| | |
|--------------------------|--------------------------------------|
| MATERIAL | Aluminium Steel |
| HEIGHT | 65cm 25.59" |
| WIDTH DIAMETER | 75cm 29.53" |
| LENGTH PROJECTION | n/a |
| WEIGHT | 6KG 13.23lbs |
| LAMPHOLDER | E27 or E26 |
| MAX WATTAGE | 60W x 1 |
| VOLTAGE | 220/240v or 110/120v |
| IP RATING | 20 |
| CLASS PROTECTION | I |
| SHADE | - |
| FLEX BAR CHAIN LENGT | 100cm 40" |
| CABLE TYPE | MLCA037 3 Core Round Black PVC |

Fixing Bracket MLROSE15 | Matt Black

*For UL wired lights, fixing bracket may differ

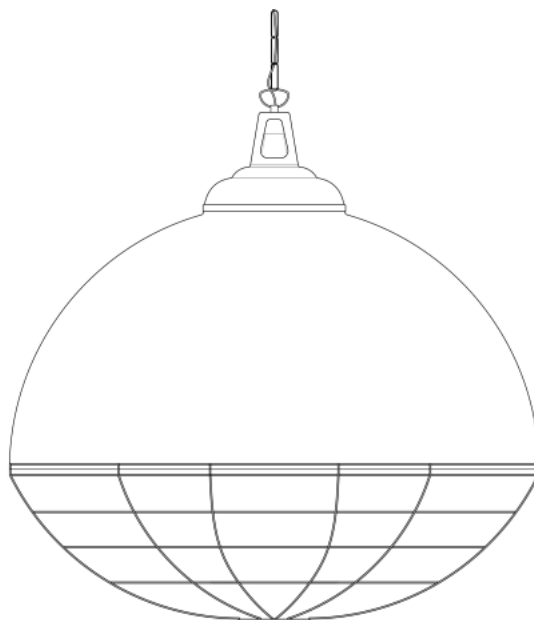


Product Notes:

1) Lamps not included with light fixture. 2) All products are individually hand crafted, therefore may differ slightly within manufacturing tolerances. 3) Please refer to: <http://www.mullanlighting.com/terms> for full list of Terms & Conditions. 4) Cable/Chain can be shortened during installation. 5) Longer Cable/Chain available on request. 6) Additional colour finishes available on request. 7.) Dimensions do not include lamps. 8.) Products wired to UL standards will operate at 110/120v with the appropriate lampholders.

BRUSSELS Pendant

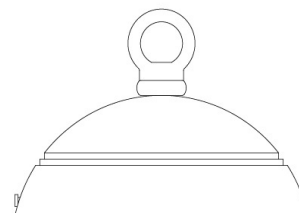
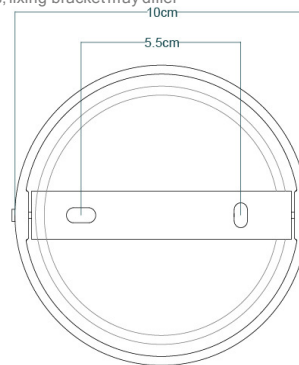
MLP395PCORG Orange



| | |
|--------------------------|--------------------------------------|
| MATERIAL | Aluminium Steel |
| HEIGHT | 65cm 25.59" |
| WIDTH DIAMETER | 75cm 29.53" |
| LENGTH PROJECTION | n/a |
| WEIGHT | 6KG 13.23lbs |
| LAMPHOLDER | E27 or E26 |
| MAX WATTAGE | 60W x 1 |
| VOLTAGE | 220/240v or 110/120v |
| IP RATING | 20 |
| CLASS PROTECTION | I |
| SHADE | - |
| FLEX BAR CHAIN LENGT | 100cm 40" |
| CABLE TYPE | MLCA037 3 Core Round Black PVC |

Fixing Bracket MLROSE15 | Orange

*For UL wired lights, fixing bracket may differ

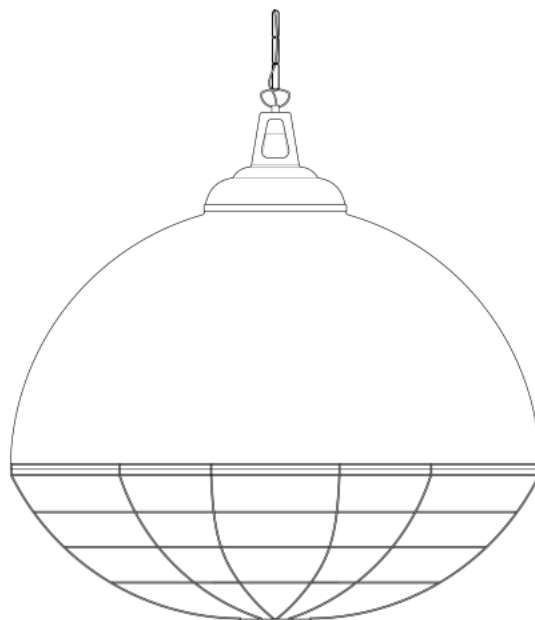


Product Notes:

1) Lamps not included with light fixture. 2) All products are individually hand crafted, therefore may differ slightly within manufacturing tolerances. 3) Please refer to: <http://www.mullanlighting.com/terms> for full list of Terms & Conditions. 4) Cable/Chain can be shortened during installation. 5) Longer Cable/Chain available on request. 6) Additional colour finishes available on request. 7.) Dimensions do not include lamps. 8.) Products wired to UL standards will operate at 110/120v with the appropriate lampholders.

BRUSSELS Pendant

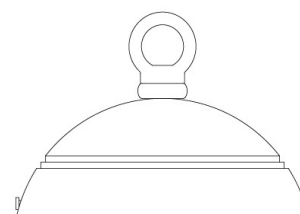
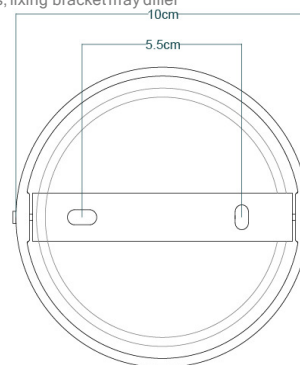
MLP395PCRED Red



| | |
|--------------------------|--------------------------------------|
| MATERIAL | Aluminium Steel |
| HEIGHT | 65cm 25.59" |
| WIDTH DIAMETER | 75cm 29.53" |
| LENGTH PROJECTION | n/a |
| WEIGHT | 6KG 13.23lbs |
| LAMPHOLDER | E27 or E26 |
| MAX WATTAGE | 60W x 1 |
| VOLTAGE | 220/240v or 110/120v |
| IP RATING | 20 |
| CLASS PROTECTION | I |
| SHADE | - |
| FLEX BAR CHAIN LENGT | 100cm 40" |
| CABLE TYPE | MLCA037 3 Core Round Black PVC |

Fixing Bracket MLROSE15 | Red

*For UL wired lights, fixing bracket may differ

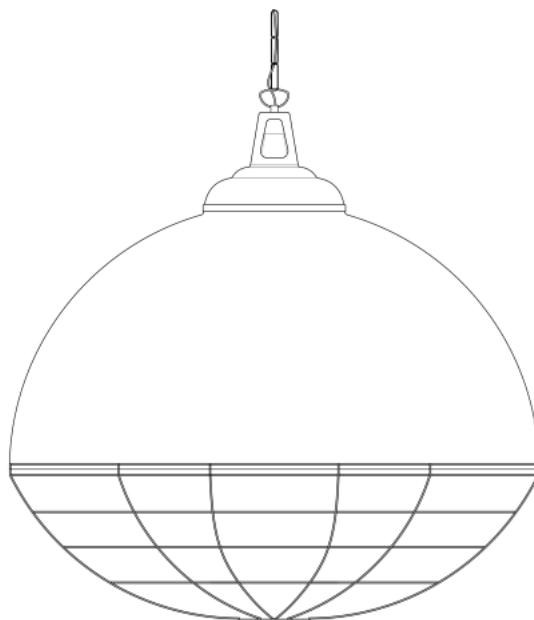


Product Notes:

1) Lamps not included with light fixture. 2) All products are individually hand crafted, therefore may differ slightly within manufacturing tolerances. 3) Please refer to: <http://www.mullanlighting.com/terms> for full list of Terms & Conditions. 4) Cable/Chain can be shortened during installation. 5) Longer Cable/Chain available on request. 6) Additional colour finishes available on request. 7.) Dimensions do not include lamps. 8.) Products wired to UL standards will operate at 110/120v with the appropriate lampholders.

BRUSSELS Pendant

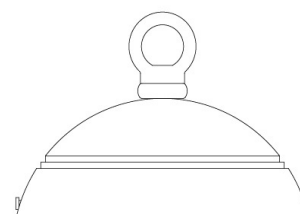
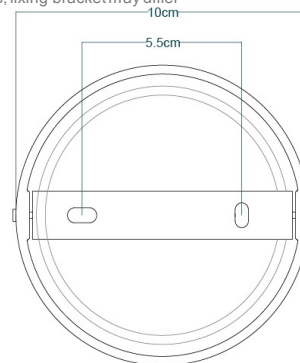
MLP395PCRGR Racing Green



| | |
|--------------------------|--------------------------------------|
| MATERIAL | Aluminium Steel |
| HEIGHT | 65cm 25.59" |
| WIDTH DIAMETER | 75cm 29.53" |
| LENGTH PROJECTION | n/a |
| WEIGHT | 6KG 13.23lbs |
| LAMPHOLDER | E27 or E26 |
| MAX WATTAGE | 60W x 1 |
| VOLTAGE | 220/240v or 110/120v |
| IP RATING | 20 |
| CLASS PROTECTION | I |
| SHADE | - |
| FLEX BAR CHAIN LENGT | 100cm 40" |
| CABLE TYPE | MLCA037 3 Core Round Black PVC |

Fixing Bracket MLROSE15 | Racing Green

*For UL wired lights, fixing bracket may differ

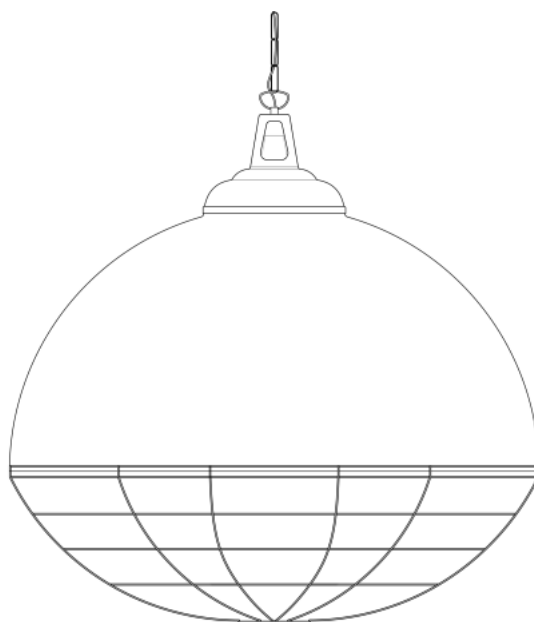


Product Notes:

1) Lamps not included with light fixture. 2) All products are individually hand crafted, therefore may differ slightly within manufacturing tolerances. 3) Please refer to: <http://www.mullanlighting.com/terms> for full list of Terms & Conditions. 4) Cable/Chain can be shortened during installation. 5) Longer Cable/Chain available on request. 6) Additional colour finishes available on request. 7.) Dimensions do not include lamps. 8.) Products wired to UL standards will operate at 110/120v with the appropriate lampholders.

BRUSSELS Pendant

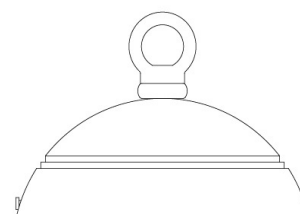
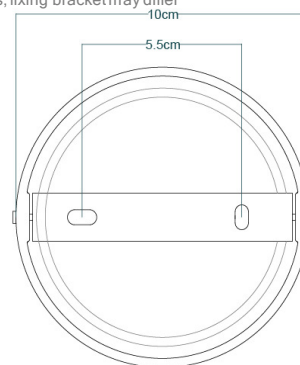
MLP395PCWTE White



| | |
|--------------------------|--------------------------------------|
| MATERIAL | Aluminium Steel |
| HEIGHT | 65cm 25.59" |
| WIDTH DIAMETER | 75cm 29.53" |
| LENGTH PROJECTION | n/a |
| WEIGHT | 6KG 13.23lbs |
| LAMPHOLDER | E27 or E26 |
| MAX WATTAGE | 60W x 1 |
| VOLTAGE | 220/240v or 110/120v |
| IP RATING | 20 |
| CLASS PROTECTION | I |
| SHADE | - |
| FLEX BAR CHAIN LENGT | 100cm 40" |
| CABLE TYPE | MLCA037 3 Core Round Black PVC |

Fixing Bracket MLROSE15 | White

*For UL wired lights, fixing bracket may differ

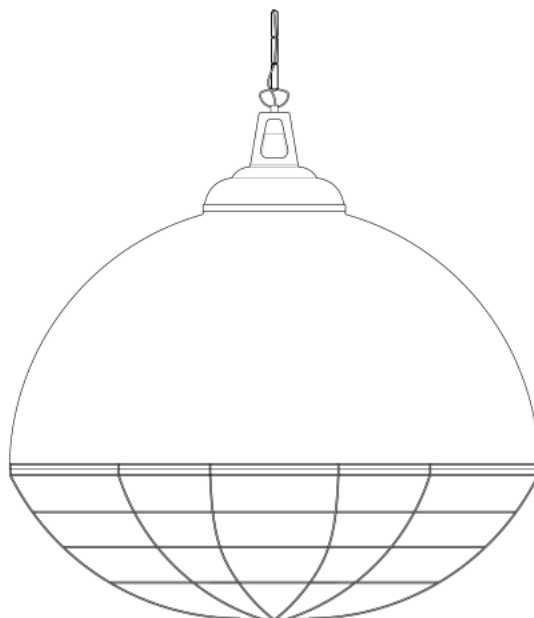


Product Notes:

1) Lamps not included with light fixture. 2) All products are individually hand crafted, therefore may differ slightly within manufacturing tolerances. 3) Please refer to: <http://www.mullanlighting.com/terms> for full list of Terms & Conditions. 4) Cable/Chain can be shortened during installation. 5) Longer Cable/Chain available on request. 6) Additional colour finishes available on request. 7.) Dimensions do not include lamps. 8.) Products wired to UL standards will operate at 110/120v with the appropriate lampholders.

BRUSSELS Pendant

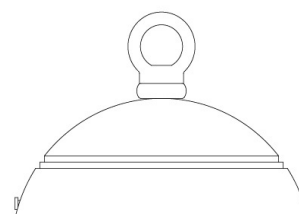
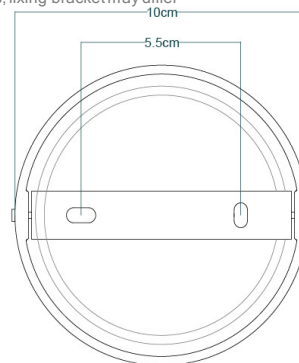
MLP395PCYLW Yellow



| | |
|--------------------------|--------------------------------------|
| MATERIAL | Aluminium Steel |
| HEIGHT | 65cm 25.59" |
| WIDTH DIAMETER | 75cm 29.53" |
| LENGTH PROJECTION | n/a |
| WEIGHT | 6KG 13.23lbs |
| LAMPHOLDER | E27 or E26 |
| MAX WATTAGE | 60W x 1 |
| VOLTAGE | 220/240v or 110/120v |
| IP RATING | 20 |
| CLASS PROTECTION | I |
| SHADE | - |
| FLEX BAR CHAIN LENGT | 100cm 40" |
| CABLE TYPE | MLCA037 3 Core Round Black PVC |

Fixing Bracket MLROSE15 | Yellow

*For UL wired lights, fixing bracket may differ



Product Notes:

1) Lamps not included with light fixture. 2) All products are individually hand crafted, therefore may differ slightly within manufacturing tolerances. 3) Please refer to: <http://www.mullanlighting.com/terms> for full list of Terms & Conditions. 4) Cable/Chain can be shortened during installation. 5) Longer Cable/Chain available on request. 6) Additional colour finishes available on request. 7.) Dimensions do not include lamps. 8.) Products wired to UL standards will operate at 110/120v with the appropriate lampholders.