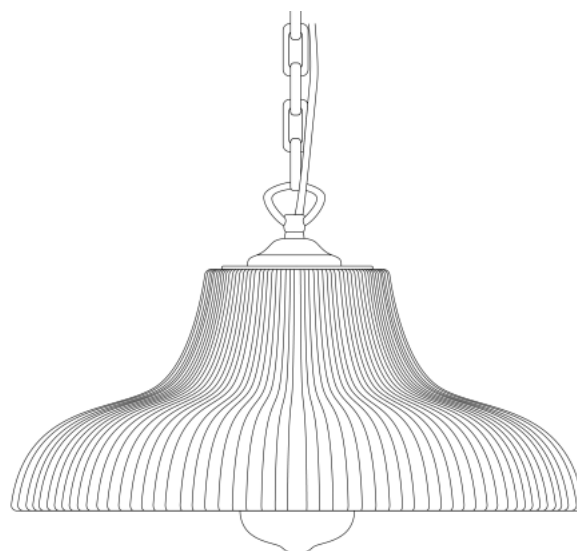


LONDON 30CM Pendant

MLP097ANTBRS Antique Brass



MATERIAL Brass | Glass

HEIGHT 18.5cm | 7.28"

WIDTH | DIAMETER 32.5cm | 12.8"

LENGTH | PROJECTION n/a

WEIGHT 1.64KG | 3.62lbs

LAMPHOLDER E27 or E26

MAX WATTAGE 40W x 1

VOLTAGE 220/240v or 110/120v

IP RATING 20

CLASS PROTECTION I

SHADE GL099

FLEX | BAR | CHAIN LENGT 100cm | 40"

CABLE TYPE MLCA010 | 2 Core Flat | Brown | PVC

Fixing Bracket MLROSE05HOOK | Antique Brass

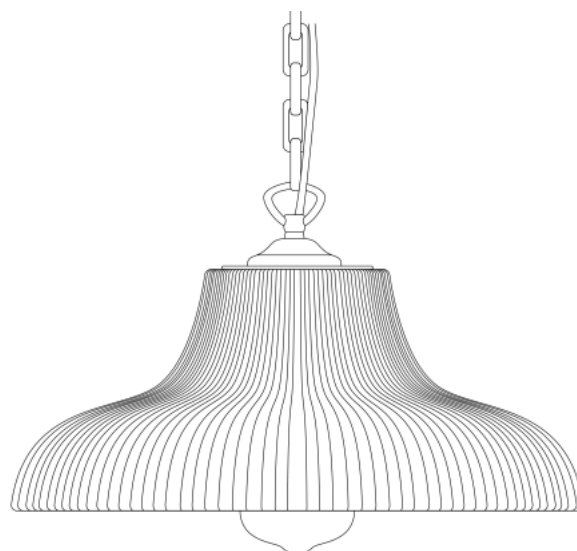
*For UL wired lights, fixing bracket may differ

Product Notes:

1) Lamps not included with light fixture. 2) All products are individually hand crafted, therefore may differ slightly within manufacturing tolerances. 3) Please refer to: <http://www.mullanlighting.com/terms> for full list of Terms & Conditions. 4) Cable/Chain can be shortened during installation. 5) Longer Cable/Chain available on request. 6) Additional colour finishes available on request. 7.) Dimensions do not include lamps. 8.) Products wired to UL standards will operate at 110/120v with the appropriate lampholders.

LONDON 30CM Pendant

MLP097ANTSLV Antique Silver



MATERIAL	Brass Glass
HEIGHT	18.5cm 7.28"
WIDTH DIAMETER	32.5cm 12.8"
LENGTH PROJECTION	n/a
WEIGHT	1.64KG 3.62lbs
LAMPHOLDER	E27 or E26
MAX WATTAGE	40W x 1
VOLTAGE	220/240v or 110/120v
IP RATING	20
CLASS PROTECTION	I
SHADE	GL099
FLEX BAR CHAIN LENGT	100cm 40"
CABLE TYPE	MLCA014 2 Core Flat Clear PVC

Fixing Bracket MLROSE05HOOK | Antique Silver

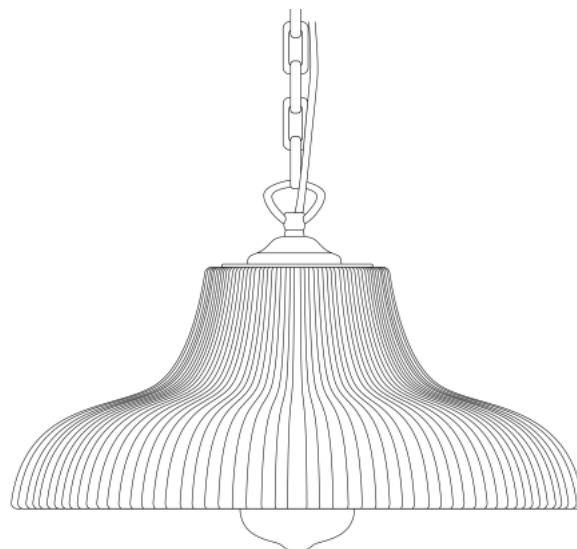
*For UL wired lights, fixing bracket may differ

Product Notes:

1) Lamps not included with light fixture. 2) All products are individually hand crafted, therefore may differ slightly within manufacturing tolerances. 3) Please refer to: <http://www.mullanlighting.com/terms> for full list of Terms & Conditions. 4) Cable/Chain can be shortened during installation. 5) Longer Cable/Chain available on request. 6) Additional colour finishes available on request. 7.) Dimensions do not include lamps. 8.) Products wired to UL standards will operate at 110/120v with the appropriate lampholders.

LONDON 30CM Pendant

MLP097PCBLK Black



MATERIAL	Brass Glass
HEIGHT	18.5cm 7.28"
WIDTH DIAMETER	32.5cm 12.8"
LENGTH PROJECTION	n/a
WEIGHT	1.64KG 3.62lbs
LAMPHOLDER	E27 or E26
MAX WATTAGE	40W x 1
VOLTAGE	220/240v or 110/120v
IP RATING	20
CLASS PROTECTION	I
SHADE	GL099 x1
FLEX BAR CHAIN LENGT	100cm 40"
CABLE TYPE	-

Fixing Bracket MLROSE05 | Black

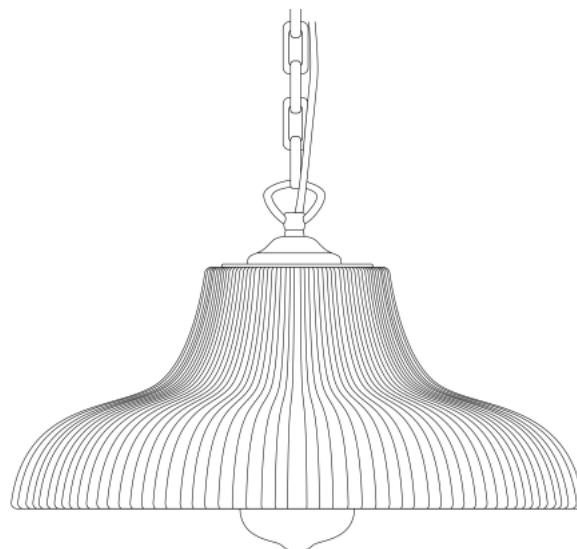
*For UL wired lights, fixing bracket may differ

Product Notes:

1) Lamps not included with light fixture. 2) All products are individually hand crafted, therefore may differ slightly within manufacturing tolerances. 3) Please refer to: <http://www.mullanlighting.com/terms> for full list of Terms & Conditions. 4) Cable/Chain can be shortened during installation. 5) Longer Cable/Chain available on request. 6) Additional colour finishes available on request. 7.) Dimensions do not include lamps. 8.) Products wired to UL standards will operate at 110/120v with the appropriate lampholders.

LONDON 30CM Pendant

MLP097PCMBK Matt Black



MATERIAL	Brass Glass
HEIGHT	18.5cm 7.28"
WIDTH DIAMETER	32.5cm 12.8"
LENGTH PROJECTION	n/a
WEIGHT	1.64KG 3.62lbs
LAMPHOLDER	E27 or E26
MAX WATTAGE	40W x 1
VOLTAGE	220/240v or 110/120v
IP RATING	20
CLASS PROTECTION	I
SHADE	GL099 x1
FLEX BAR CHAIN LENGT	100cm 40"
CABLE TYPE	-

Fixing Bracket MLROSE05 | Matt Black
 *For UL wired lights, fixing bracket may differ

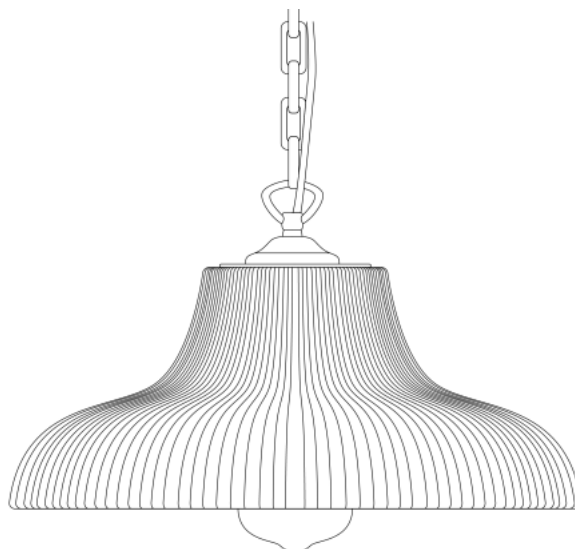


Product Notes:
 1) Lamps not included with light fixture. 2) All products are individually hand crafted, therefore may differ slightly within manufacturing tolerances. 3) Please refer to: <http://www.mullanlighting.com/terms> for full list of Terms & Conditions. 4) Cable/Chain can be shortened during installation. 5) Longer Cable/Chain available on request. 6) Additional colour finishes available on request. 7.) Dimensions do not include lamps. 8.) Products wired to UL standards will operate at 110/120v with the appropriate lampholders.



LONDON 30CM Pendant

MLP097PCWTE White



MATERIAL	Brass Glass
HEIGHT	18.5cm 7.28"
WIDTH DIAMETER	32.5cm 12.8"
LENGTH PROJECTION	n/a
WEIGHT	1.64KG 3.62lbs
LAMPHOLDER	E27 or E26
MAX WATTAGE	40W x 1
VOLTAGE	220/240v or 110/120v
IP RATING	20
CLASS PROTECTION	I
SHADE	GL099 x1
FLEX BAR CHAIN LENGT	100cm 40"
CABLE TYPE	-

Fixing Bracket MLROSE05 | White

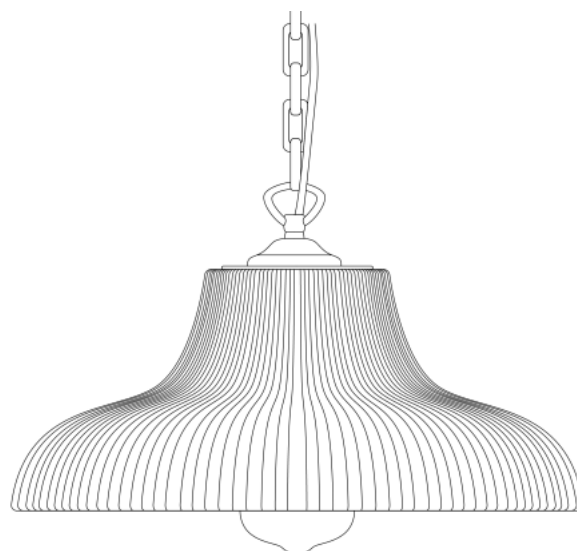
*For UL wired lights, fixing bracket may differ

Product Notes:

1) Lamps not included with light fixture. 2) All products are individually hand crafted, therefore may differ slightly within manufacturing tolerances. 3) Please refer to: <http://www.mullanlighting.com/terms> for full list of Terms & Conditions. 4) Cable/Chain can be shortened during installation. 5) Longer Cable/Chain available on request. 6) Additional colour finishes available on request. 7.) Dimensions do not include lamps. 8.) Products wired to UL standards will operate at 110/120v with the appropriate lampholders.

LONDON 30CM Pendant

MLP097POLBRS Polished Brass



MATERIAL Brass | Glass

Fixing Bracket MLROSE05HOOK | Polished Brass

*For UL wired lights, fixing bracket may differ

HEIGHT 18.5cm | 7.28"

WIDTH | DIAMETER 32.5cm | 12.8"

LENGTH | PROJECTION n/a

WEIGHT 1.64KG | 3.62lbs

LAMPHOLDER E27 or E26

MAX WATTAGE 40W x 1

VOLTAGE 220/240v or 110/120v

IP RATING 20

CLASS PROTECTION I

SHADE GL099

FLEX | BAR | CHAIN LENGT 100cm | 40"

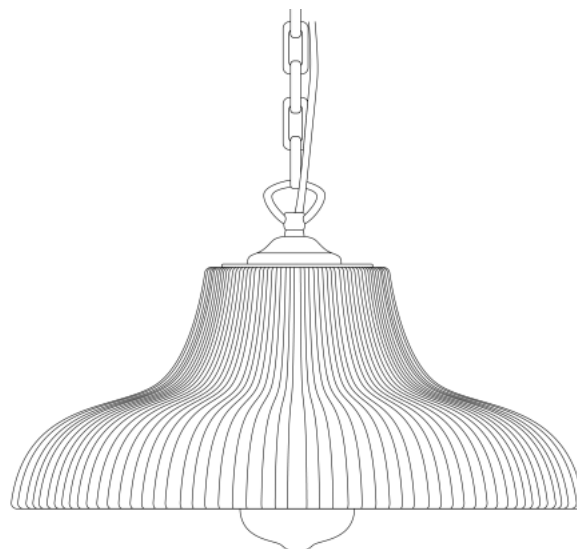
CABLE TYPE MLCA038 | 2 Core Flat | Gold | PVC

Product Notes:

1) Lamps not included with light fixture. 2) All products are individually hand crafted, therefore may differ slightly within manufacturing tolerances. 3) Please refer to: <http://www.mullanlighting.com/terms> for full list of Terms & Conditions. 4) Cable/Chain can be shortened during installation. 5) Longer Cable/Chain available on request. 6) Additional colour finishes available on request. 7.) Dimensions do not include lamps. 8.) Products wired to UL standards will operate at 110/120v with the appropriate lampholders.

LONDON 30CM Pendant

MLP097POLCHR Polished Chrome



MATERIAL	Brass Glass
HEIGHT	18.5cm 7.28"
WIDTH DIAMETER	32.5cm 12.8"
LENGTH PROJECTION	n/a
WEIGHT	1.64KG 3.62lbs
LAMPHOLDER	E27 or E26
MAX WATTAGE	40W x 1
VOLTAGE	220/240v or 110/120v
IP RATING	20
CLASS PROTECTION	I
SHADE	GL099
FLEX BAR CHAIN LENGT	100cm 40"
CABLE TYPE	MLCA014 2 Core Flat Clear PVC

Fixing Bracket MLROSE05HOOK | Polished Chrome

*For UL wired lights, fixing bracket may differ



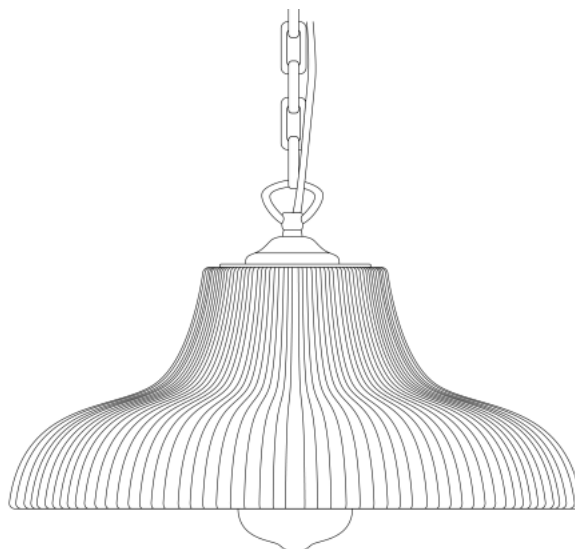
Product Notes:

1) Lamps not included with light fixture. 2) All products are individually hand crafted, therefore may differ slightly within manufacturing tolerances. 3) Please refer to: <http://www.mullanlighting.com/terms> for full list of Terms & Conditions. 4) Cable/Chain can be shortened during installation. 5) Longer Cable/Chain available on request. 6) Additional colour finishes available on request. 7.) Dimensions do not include lamps. 8.) Products wired to UL standards will operate at 110/120v with the appropriate lampholders.



LONDON 30CM Pendant

MLP097SATBRS Satin Brass



MATERIAL	Brass Glass
HEIGHT	18.5cm 7.28"
WIDTH DIAMETER	32.5cm 12.8"
LENGTH PROJECTION	n/a
WEIGHT	1.64KG 3.62lbs
LAMPHOLDER	E27 or E26
MAX WATTAGE	40W x 1
VOLTAGE	220/240v or 110/120v
IP RATING	20
CLASS PROTECTION	I
SHADE	GL099
FLEX BAR CHAIN LENGT	100cm 40"
CABLE TYPE	MLCA038 2 Core Flat Gold PVC

Fixing Bracket MLROSE05HOOK | Satin Brass

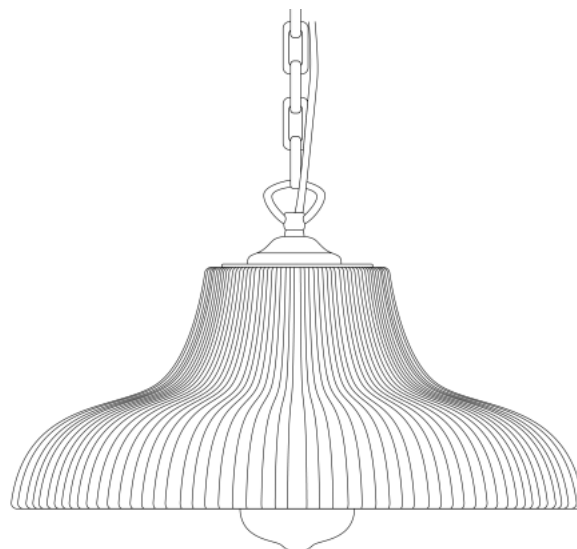
*For UL wired lights, fixing bracket may differ

Product Notes:

1) Lamps not included with light fixture. 2) All products are individually hand crafted, therefore may differ slightly within manufacturing tolerances. 3) Please refer to: <http://www.mullanlighting.com/terms> for full list of Terms & Conditions. 4) Cable/Chain can be shortened during installation. 5) Longer Cable/Chain available on request. 6) Additional colour finishes available on request. 7.) Dimensions do not include lamps. 8.) Products wired to UL standards will operate at 110/120v with the appropriate lampholders.

LONDON 30CM Pendant

MLP097SATCHR Satin Chrome



MATERIAL	Brass Glass
HEIGHT	18.5cm 7.28"
WIDTH DIAMETER	32.5cm 12.8"
LENGTH PROJECTION	n/a
WEIGHT	1.64KG 3.62lbs
LAMPHOLDER	E27 or E26
MAX WATTAGE	40W x 1
VOLTAGE	220/240v or 110/120v
IP RATING	20
CLASS PROTECTION	I
SHADE	GL099
FLEX BAR CHAIN LENGT	100cm 40"
CABLE TYPE	MLCA014 2 Core Flat Clear PVC

Fixing Bracket MLROSE05HOOK | Satin Chrome

*For UL wired lights, fixing bracket may differ



Product Notes:

1) Lamps not included with light fixture. 2) All products are individually hand crafted, therefore may differ slightly within manufacturing tolerances. 3) Please refer to: <http://www.mullanlighting.com/terms> for full list of Terms & Conditions. 4) Cable/Chain can be shortened during installation. 5) Longer Cable/Chain available on request. 6) Additional colour finishes available on request. 7.) Dimensions do not include lamps. 8.) Products wired to UL standards will operate at 110/120v with the appropriate lampholders.

