

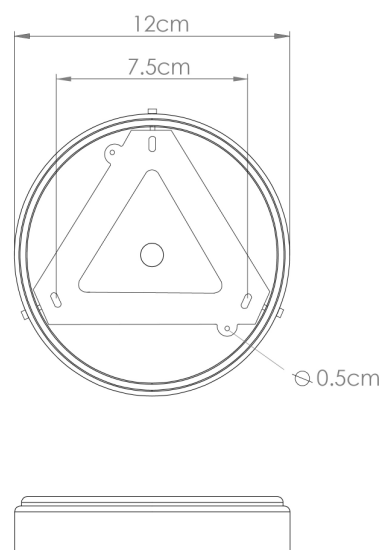
CUBA Chandelier

MLF326PCMBKCL Matt Black



MATERIAL	Aluminium Glass
HEIGHT	29cm 11.42"
WIDTH DIAMETER	20cm 7.87"
LENGTH PROJECTION	123cm 48.43"
WEIGHT	4.8KG 10.58lbs
LAMPHOLDER	E27 x 5
MAX WATTAGE	6.5W x 5
VOLTAGE	220/240v
IP RATING	20
CLASS PROTECTION	I
SHADE	GL186
FLEX BAR CHAIN LENGT	100cm 40"
CABLE TYPE	MLCA013 3 Core Round Clear PVC

Fixing Bracket MLROSE39 | Powder Coat Matt Black

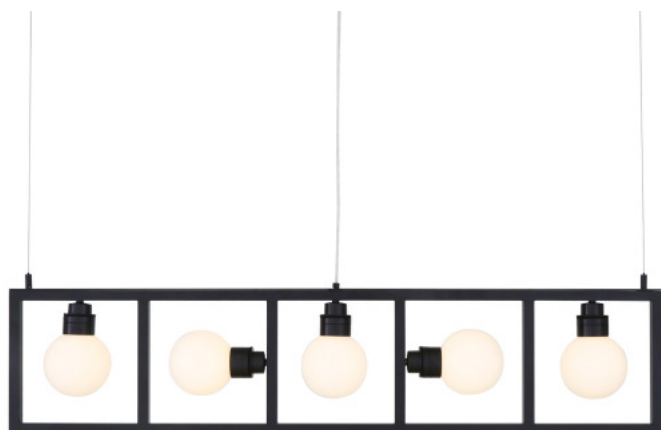


Product Notes:

1) Lamps not included with light fixture. 2) All products are individually hand crafted, therefore may differ slightly within manufacturing tolerances. 3) Please refer to: <http://www.mullanlighting.com/terms> for full list of Terms & Conditions. 4) Cable/Chain can be shortened during installation. 5) Longer Cable/Chain available on request. 6) Additional colour finishes available on request. 7.) Dimensions do not include lamps. 8.) Products wired to UL standards will operate at 110/120v with the appropriate lampholders.

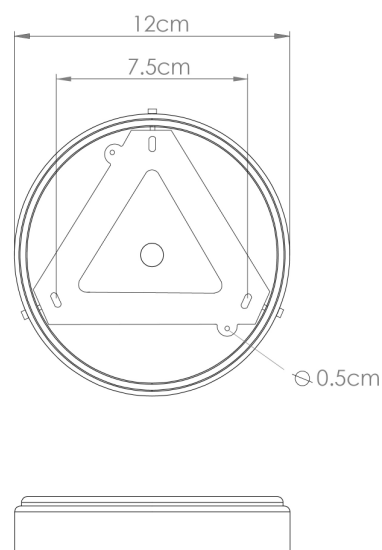
CUBA Chandelier

MLF326PCMBKOP Matt Black



MATERIAL	Aluminium Glass
HEIGHT	29cm 11.42"
WIDTH DIAMETER	20cm 7.87"
LENGTH PROJECTION	123cm 48.43"
WEIGHT	4.8KG 10.58lbs
LAMPHOLDER	E27 x 5
MAX WATTAGE	6.5W x 5
VOLTAGE	220/240v
IP RATING	20
CLASS PROTECTION	I
SHADE	GL187
FLEX BAR CHAIN LENGT	100cm 40"
CABLE TYPE	MLCA013 3 Core Round Clear PVC

Fixing Bracket MLROSE39 | Powder Coat Matt Black



Product Notes:

1) Lamps not included with light fixture. 2) All products are individually hand crafted, therefore may differ slightly within manufacturing tolerances. 3) Please refer to: <http://www.mullanlighting.com/terms> for full list of Terms & Conditions. 4) Cable/Chain can be shortened during installation. 5) Longer Cable/Chain available on request. 6) Additional colour finishes available on request. 7.) Dimensions do not include lamps. 8.) Products wired to UL standards will operate at 110/120v with the appropriate lampholders.

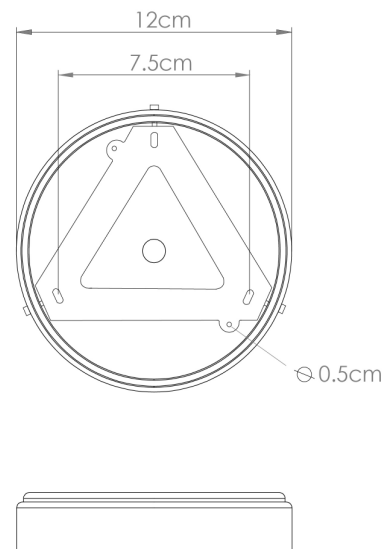
CUBA Chandelier

MLF326PCMBKPR Matt Black



MATERIAL	Aluminium Glass
HEIGHT	29cm 11.42"
WIDTH DIAMETER	20cm 7.87"
LENGTH PROJECTION	123cm 48.43"
WEIGHT	4.8KG 10.58lbs
LAMPHOLDER	E27 x 5
MAX WATTAGE	6.5W x 5
VOLTAGE	220/240v
IP RATING	20
CLASS PROTECTION	I
SHADE	GL188
FLEX BAR CHAIN LENGT	100cm 40"
CABLE TYPE	MLCA013 3 Core Round Clear PVC

Fixing Bracket MLROSE39 | Powder Coat Matt Black



Product Notes:

1) Lamps not included with light fixture. 2) All products are individually hand crafted, therefore may differ slightly within manufacturing tolerances. 3) Please refer to: <http://www.mullanlighting.com/terms> for full list of Terms & Conditions. 4) Cable/Chain can be shortened during installation. 5) Longer Cable/Chain available on request. 6) Additional colour finishes available on request. 7) Dimensions do not include lamps. 8.) Products wired to UL standards will operate at 110/120v with the appropriate lampholders.