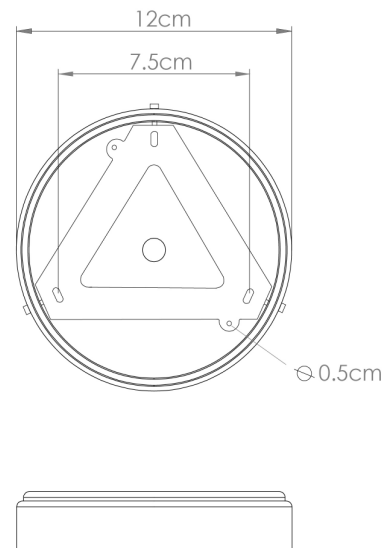




MATERIAL	Brass  Glass
HEIGHT	21cm   8.27"
WIDTH   DIAMETER	12cm   4.72"
LENGTH   PROJECTION	n/a
WEIGHT	0.9KG   1.98lbs
LAMP HOLDER	E27 or E26 *
MAX WATTAGE	6.5W x 1
VOLTAGE	220/240v or 110/120v *
IP RATING	65
CLASS PROTECTION	II
SHADE CODE	GL186
CABLE   CHAIN   BAR LENGT	n/a
CABLE TYPE	-

Fixing Bracket MLROSE39 | Antique Brass

\* Fixing bracket may differ for UL wired products.



Product Notes:

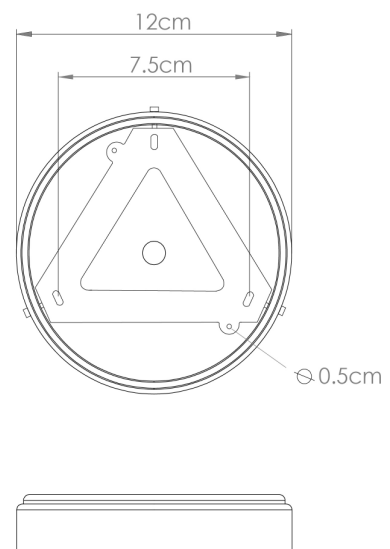
1) Bulbs not included. 2) Dimensions do not include bulbs. 3) All products are individually made-to-order and therefore may differ slightly within manufacturing tolerances. 4) Cable / chain can be shortened during installation. Longer cable / chain lengths available on request. 5) Additional colour finishes may be available on request. 6) UL wired products operate at 110/120v with the appropriate lamp holder. 7) Twisted cable is not available for UL wired products. Round cable in black or brown only is supplied instead. 8) Refer to our website for a full list of terms and conditions.



MATERIAL	Brass  Glass
HEIGHT	21cm   8.27"
WIDTH   DIAMETER	12cm   4.72"
LENGTH   PROJECTION	n/a
WEIGHT	0.9KG   1.98lbs
LAMP HOLDER	E27 or E26 *
MAX WATTAGE	6.5W x 1
VOLTAGE	220/240v or 110/120v *
IP RATING	65
CLASS PROTECTION	II
SHADE CODE	GL187
CABLE   CHAIN   BAR LENGT	n/a
CABLE TYPE	-

Fixing Bracket MLROSE39 |Antique Brass

\* Fixing bracket may differ for UL wired products.



Product Notes:

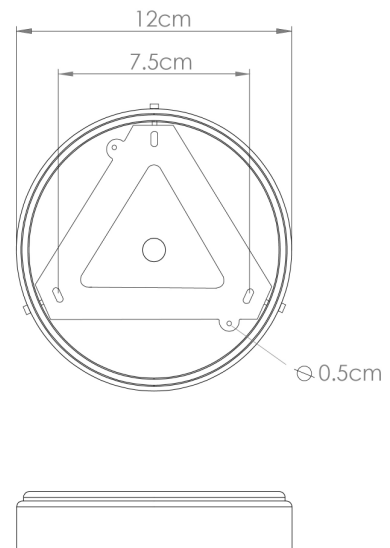
1) Bulbs not included. 2) Dimensions do not include bulbs. 3) All products are individually made-to-order and therefore may differ slightly within manufacturing tolerances. 4) Cable / chain can be shortened during installation. Longer cable / chain lengths available on request. 5) Additional colour finishes may be available on request. 6) UL wired products operate at 110/120v with the appropriate lamp holder. 7) Twisted cable is not available for UL wired products. Round cable in black or brown only is supplied instead. 8) Refer to our website for a full list of terms and conditions.



MATERIAL	Brass  Glass
HEIGHT	21cm   8.27"
WIDTH   DIAMETER	12cm   4.72"
LENGTH   PROJECTION	n/a
WEIGHT	0.9KG   1.98lbs
LAMP HOLDER	E27 or E26 *
MAX WATTAGE	6.5W x 1
VOLTAGE	220/240v or 110/120v *
IP RATING	65
CLASS PROTECTION	II
SHADE CODE	GL188
CABLE   CHAIN   BAR LENGT	n/a
CABLE TYPE	-

Fixing Bracket MLROSE39 | Antique Brass

\* Fixing bracket may differ for UL wired products.



Product Notes:

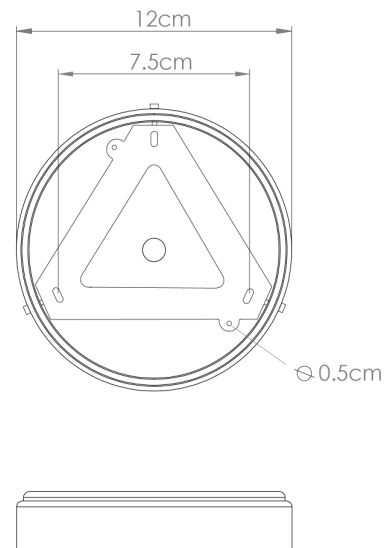
1) Bulbs not included. 2) Dimensions do not include bulbs. 3) All products are individually made-to-order and therefore may differ slightly within manufacturing tolerances. 4) Cable / chain can be shortened during installation. Longer cable / chain lengths available on request. 5) Additional colour finishes may be available on request. 6) UL wired products operate at 110/120v with the appropriate lamp holder. 7) Twisted cable is not available for UL wired products. Round cable in black or brown only is supplied instead. 8) Refer to our website for a full list of terms and conditions.



MATERIAL	Brass  Glass
HEIGHT	21cm   8.27"
WIDTH   DIAMETER	12cm   4.72"
LENGTH   PROJECTION	n/a
WEIGHT	0.9KG   1.98lbs
LAMP HOLDER	E27 or E26 *
MAX WATTAGE	6.5W x 1
VOLTAGE	220/240v or 110/120v *
IP RATING	65
CLASS PROTECTION	II
SHADE CODE	GL186
CABLE   CHAIN   BAR LENGT	n/a
CABLE TYPE	-

Fixing Bracket MLROSE39 | Antique Silver

\* Fixing bracket may differ for UL wired products.



Product Notes:

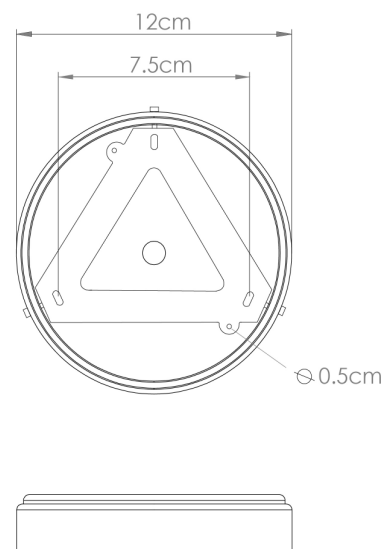
1) Bulbs not included. 2) Dimensions do not include bulbs. 3) All products are individually made-to-order and therefore may differ slightly within manufacturing tolerances. 4) Cable / chain can be shortened during installation. Longer cable / chain lengths available on request. 5) Additional colour finishes may be available on request. 6) UL wired products operate at 110/120v with the appropriate lamp holder. 7) Twisted cable is not available for UL wired products. Round cable in black or brown only is supplied instead. 8) Refer to our website for a full list of terms and conditions.



MATERIAL	Brass  Glass
HEIGHT	21cm   8.27"
WIDTH   DIAMETER	12cm   4.72"
LENGTH   PROJECTION	n/a
WEIGHT	0.9KG   1.98lbs
LAMP HOLDER	E27 or E26 *
MAX WATTAGE	6.5W x 1
VOLTAGE	220/240v or 110/120v *
IP RATING	65
CLASS PROTECTION	II
SHADE CODE	GL187
CABLE   CHAIN   BAR LENGT	n/a
CABLE TYPE	-

Fixing Bracket MLROSE39 | Antique Silver

\* Fixing bracket may differ for UL wired products.



Product Notes:

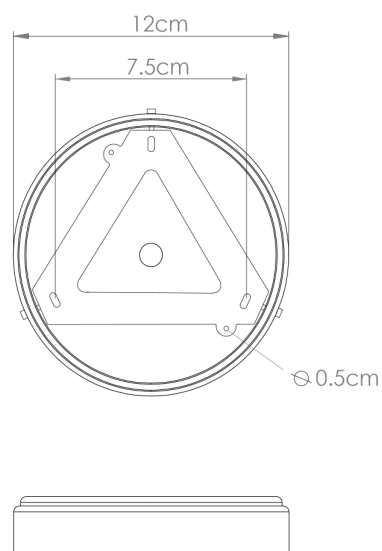
1) Bulbs not included. 2) Dimensions do not include bulbs. 3) All products are individually made-to-order and therefore may differ slightly within manufacturing tolerances. 4) Cable / chain can be shortened during installation. Longer cable / chain lengths available on request. 5) Additional colour finishes may be available on request. 6) UL wired products operate at 110/120v with the appropriate lamp holder. 7) Twisted cable is not available for UL wired products. Round cable in black or brown only is supplied instead. 8) Refer to our website for a full list of terms and conditions.



MATERIAL	Brass  Glass
HEIGHT	21cm   8.27"
WIDTH   DIAMETER	12cm   4.72"
LENGTH   PROJECTION	n/a
WEIGHT	0.9KG   1.98lbs
LAMP HOLDER	E27 or E26 *
MAX WATTAGE	6.5W x 1
VOLTAGE	220/240v or 110/120v *
IP RATING	65
CLASS PROTECTION	II
SHADE CODE	GL188
CABLE   CHAIN   BAR LENGT	n/a
CABLE TYPE	-

Fixing Bracket MLROSE39 | Antique Silver

\* Fixing bracket may differ for UL wired products.



Product Notes:

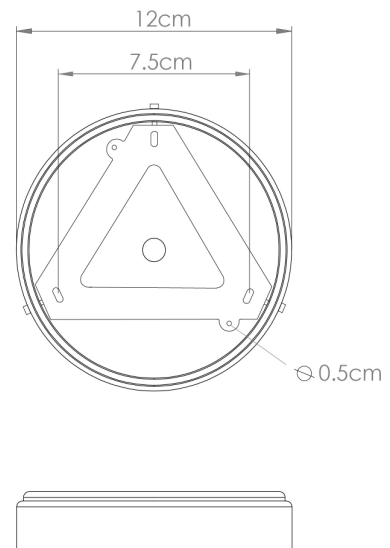
1) Bulbs not included. 2) Dimensions do not include bulbs. 3) All products are individually made-to-order and therefore may differ slightly within manufacturing tolerances. 4) Cable / chain can be shortened during installation. Longer cable / chain lengths available on request. 5) Additional colour finishes may be available on request. 6) UL wired products operate at 110/120v with the appropriate lamp holder. 7) Twisted cable is not available for UL wired products. Round cable in black or brown only is supplied instead. 8) Refer to our website for a full list of terms and conditions.



MATERIAL	Brass  Glass
HEIGHT	21cm   8.27"
WIDTH   DIAMETER	12cm   4.72"
LENGTH   PROJECTION	n/a
WEIGHT	0.9KG   1.98lbs
LAMP HOLDER	E27 or E26 *
MAX WATTAGE	6.5W x 1
VOLTAGE	220/240v or 110/120v *
IP RATING	65
CLASS PROTECTION	II
SHADE CODE	GL186
CABLE   CHAIN   BAR LENGT	n/a
CABLE TYPE	-

Fixing Bracket MLROSE39 | Natural Brass

\* Fixing bracket may differ for UL wired products.



Product Notes:

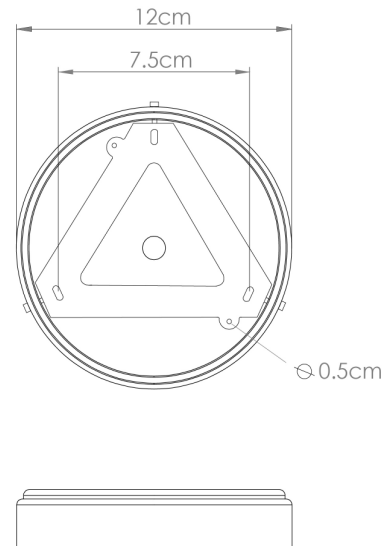
1) Bulbs not included. 2) Dimensions do not include bulbs. 3) All products are individually made-to-order and therefore may differ slightly within manufacturing tolerances. 4) Cable / chain can be shortened during installation. Longer cable / chain lengths available on request. 5) Additional colour finishes may be available on request. 6) UL wired products operate at 110/120v with the appropriate lamp holder. 7) Twisted cable is not available for UL wired products. Round cable in black or brown only is supplied instead. 8) Refer to our website for a full list of terms and conditions.



MATERIAL	Brass  Glass
HEIGHT	21cm   8.27"
WIDTH   DIAMETER	12cm   4.72"
LENGTH   PROJECTION	n/a
WEIGHT	0.9KG   1.98lbs
LAMP HOLDER	E27 or E26 *
MAX WATTAGE	6.5W x 1
VOLTAGE	220/240v or 110/120v *
IP RATING	65
CLASS PROTECTION	II
SHADE CODE	GL187
CABLE   CHAIN   BAR LENGT	n/a
CABLE TYPE	-

Fixing Bracket MLROSE39 | Natural Brass

\* Fixing bracket may differ for UL wired products.



Product Notes:

1) Bulbs not included. 2) Dimensions do not include bulbs. 3) All products are individually made-to-order and therefore may differ slightly within manufacturing tolerances. 4) Cable / chain can be shortened during installation. Longer cable / chain lengths available on request. 5) Additional colour finishes may be available on request. 6) UL wired products operate at 110/120v with the appropriate lamp holder. 7) Twisted cable is not available for UL wired products. Round cable in black or brown only is supplied instead. 8) Refer to our website for a full list of terms and conditions.

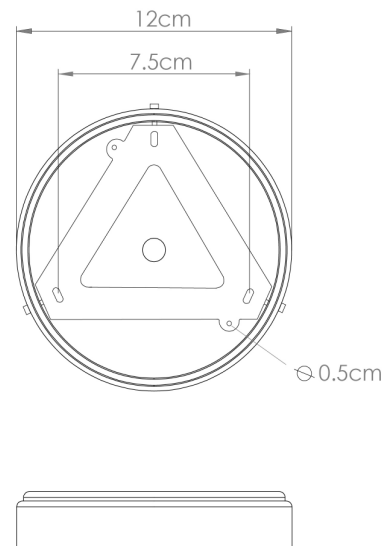




MATERIAL	Brass  Glass
HEIGHT	21cm   8.27"
WIDTH   DIAMETER	12cm   4.72"
LENGTH   PROJECTION	n/a
WEIGHT	0.9KG   1.98lbs
LAMP HOLDER	E27 or E26 *
MAX WATTAGE	6.5W x 1
VOLTAGE	220/240v or 110/120v *
IP RATING	65
CLASS PROTECTION	II
SHADE CODE	GL188
CABLE   CHAIN   BAR LENGT	n/a
CABLE TYPE	-

Fixing Bracket MLROSE39 | Natural Brass

\* Fixing bracket may differ for UL wired products.



Product Notes:

1) Bulbs not included. 2) Dimensions do not include bulbs. 3) All products are individually made-to-order and therefore may differ slightly within manufacturing tolerances. 4) Cable / chain can be shortened during installation. Longer cable / chain lengths available on request. 5) Additional colour finishes may be available on request. 6) UL wired products operate at 110/120v with the appropriate lamp holder. 7) Twisted cable is not available for UL wired products. Round cable in black or brown only is supplied instead. 8) Refer to our website for a full list of terms and conditions.

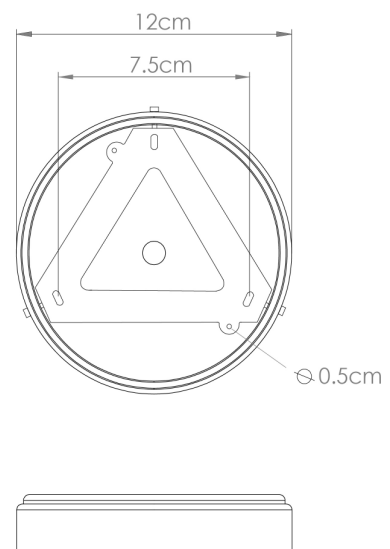


POWDER-COATED  
MATTE BLACK

MATERIAL	Brass  Glass
HEIGHT	21cm   8.27"
WIDTH   DIAMETER	12cm   4.72"
LENGTH   PROJECTION	n/a
WEIGHT	0.9KG   1.98lbs
LAMP HOLDER	E27 or E26 *
MAX WATTAGE	6.5W x 1
VOLTAGE	220/240v or 110/120v *
IP RATING	65
CLASS PROTECTION	II
SHADE CODE	GL186
CABLE   CHAIN   BAR LENGT	n/a
CABLE TYPE	-

Fixing Bracket MLROSE39 | Matt Black

\* Fixing bracket may differ for UL wired products.



Product Notes:

1) Bulbs not included. 2) Dimensions do not include bulbs. 3) All products are individually made-to-order and therefore may differ slightly within manufacturing tolerances. 4) Cable / chain can be shortened during installation. Longer cable / chain lengths available on request. 5) Additional colour finishes may be available on request. 6) UL wired products operate at 110/120v with the appropriate lamp holder. 7) Twisted cable is not available for UL wired products. Round cable in black or brown only is supplied instead. 8) Refer to our website for a full list of terms and conditions.

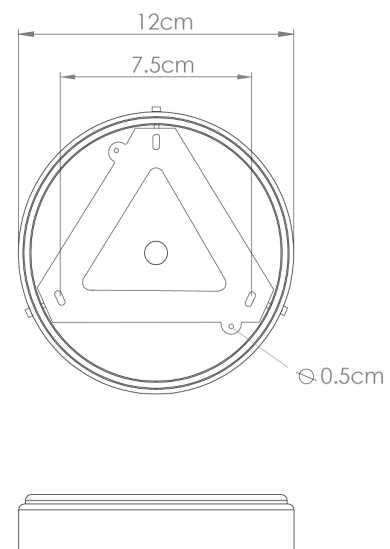


POWDER-COATED  
MATTE BLACK

MATERIAL	Brass  Glass
HEIGHT	21cm   8.27"
WIDTH   DIAMETER	12cm   4.72"
LENGTH   PROJECTION	n/a
WEIGHT	0.9KG   1.98lbs
LAMP HOLDER	E27 or E26 *
MAX WATTAGE	6.5W x 1
VOLTAGE	220/240v or 110/120v *
IP RATING	65
CLASS PROTECTION	II
SHADE CODE	GL187
CABLE   CHAIN   BAR LENGT	n/a
CABLE TYPE	-

Fixing Bracket MLROSE39 | Matt Black

\* Fixing bracket may differ for UL wired products.



Product Notes:

1) Bulbs not included. 2) Dimensions do not include bulbs. 3) All products are individually made-to-order and therefore may differ slightly within manufacturing tolerances. 4) Cable / chain can be shortened during installation. Longer cable / chain lengths available on request. 5) Additional colour finishes may be available on request. 6) UL wired products operate at 110/120v with the appropriate lamp holder. 7) Twisted cable is not available for UL wired products. Round cable in black or brown only is supplied instead. 8) Refer to our website for a full list of terms and conditions.

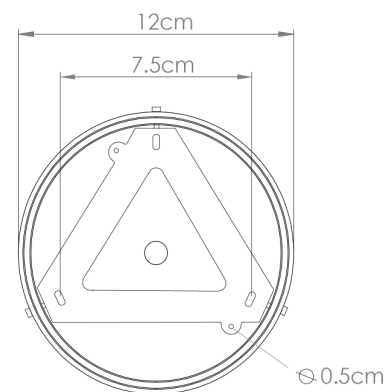


POWDER-COATED  
MATTE BLACK

MATERIAL	Brass  Glass
HEIGHT	21cm   8.27"
WIDTH   DIAMETER	12cm   4.72"
LENGTH   PROJECTION	n/a
WEIGHT	0.9KG   1.98lbs
LAMP HOLDER	E27 or E26 *
MAX WATTAGE	6.5W x 1
VOLTAGE	220/240v or 110/120v *
IP RATING	65
CLASS PROTECTION	II
SHADE CODE	GL188
CABLE   CHAIN   BAR LENGT	n/a
CABLE TYPE	-

Fixing Bracket MLROSE39 | Matt Black

\* Fixing bracket may differ for UL wired products.



Product Notes:

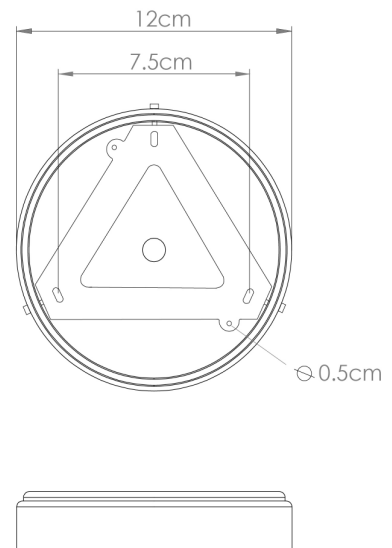
1) Bulbs not included. 2) Dimensions do not include bulbs. 3) All products are individually made-to-order and therefore may differ slightly within manufacturing tolerances. 4) Cable / chain can be shortened during installation. Longer cable / chain lengths available on request. 5) Additional colour finishes may be available on request. 6) UL wired products operate at 110/120v with the appropriate lamp holder. 7) Twisted cable is not available for UL wired products. Round cable in black or brown only is supplied instead. 8) Refer to our website for a full list of terms and conditions.



MATERIAL	Brass  Glass
HEIGHT	21cm   8.27"
WIDTH   DIAMETER	12cm   4.72"
LENGTH   PROJECTION	n/a
WEIGHT	0.9KG   1.98lbs
LAMP HOLDER	E27 or E26 *
MAX WATTAGE	6.5W x 1
VOLTAGE	220/240v or 110/120v *
IP RATING	65
CLASS PROTECTION	II
SHADE CODE	GL186
CABLE   CHAIN   BAR LENGT	n/a
CABLE TYPE	-

Fixing Bracket MLROSE39 |White

\* Fixing bracket may differ for UL wired products.



Product Notes:

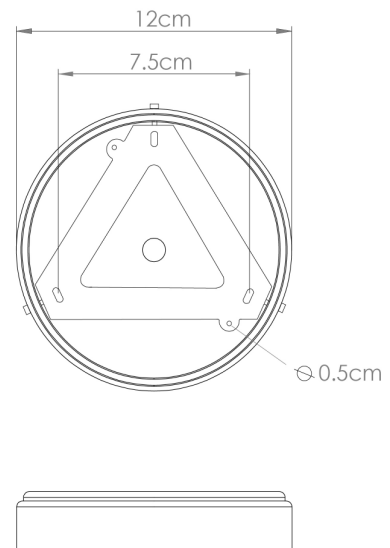
1) Bulbs not included. 2) Dimensions do not include bulbs. 3) All products are individually made-to-order and therefore may differ slightly within manufacturing tolerances. 4) Cable / chain can be shortened during installation. Longer cable / chain lengths available on request. 5) Additional colour finishes may be available on request. 6) UL wired products operate at 110/120v with the appropriate lamp holder. 7) Twisted cable is not available for UL wired products. Round cable in black or brown only is supplied instead. 8) Refer to our website for a full list of terms and conditions.



MATERIAL	Brass  Glass
HEIGHT	21cm   8.27"
WIDTH   DIAMETER	12cm   4.72"
LENGTH   PROJECTION	n/a
WEIGHT	0.9KG   1.98lbs
LAMP HOLDER	E27 or E26 *
MAX WATTAGE	6.5W x 1
VOLTAGE	220/240v or 110/120v *
IP RATING	65
CLASS PROTECTION	II
SHADE CODE	GL187
CABLE   CHAIN   BAR LENGT	n/a
CABLE TYPE	-

Fixing Bracket MLROSE39 |White

\* Fixing bracket may differ for UL wired products.



Product Notes:

1) Bulbs not included. 2) Dimensions do not include bulbs. 3) All products are individually made-to-order and therefore may differ slightly within manufacturing tolerances. 4) Cable / chain can be shortened during installation. Longer cable / chain lengths available on request. 5) Additional colour finishes may be available on request. 6) UL wired products operate at 110/120v with the appropriate lamp holder. 7) Twisted cable is not available for UL wired products. Round cable in black or brown only is supplied instead. 8) Refer to our website for a full list of terms and conditions.

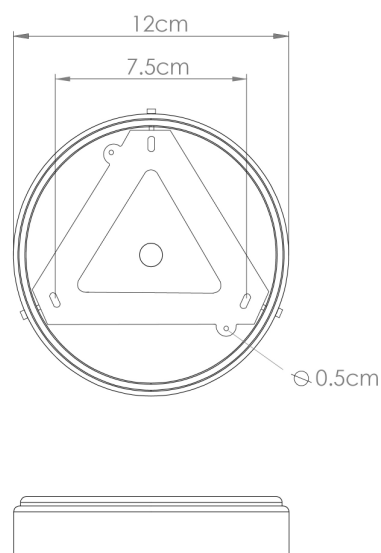


POWDER-COATED  
WHITE

MATERIAL	Brass  Glass
HEIGHT	21cm   8.27"
WIDTH   DIAMETER	12cm   4.72"
LENGTH   PROJECTION	n/a
WEIGHT	0.9KG   1.98lbs
LAMP HOLDER	E27 or E26 *
MAX WATTAGE	6.5W x 1
VOLTAGE	220/240v or 110/120v *
IP RATING	65
CLASS PROTECTION	II
SHADE CODE	GL188
CABLE   CHAIN   BAR LENGT	n/a
CABLE TYPE	-

Fixing Bracket MLROSE39 |White

\* Fixing bracket may differ for UL wired products.



Product Notes:

1) Bulbs not included. 2) Dimensions do not include bulbs. 3) All products are individually made-to-order and therefore may differ slightly within manufacturing tolerances. 4) Cable / chain can be shortened during installation. Longer cable / chain lengths available on request. 5) Additional colour finishes may be available on request. 6) UL wired products operate at 110/120v with the appropriate lamp holder. 7) Twisted cable is not available for UL wired products. Round cable in black or brown only is supplied instead. 8) Refer to our website for a full list of terms and conditions.