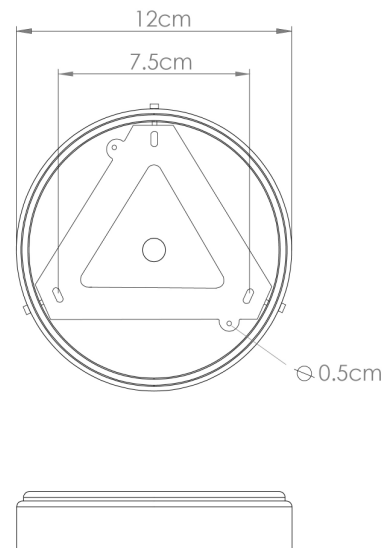




MATERIAL	Brass Glass
HEIGHT	80cm 31.5"
WIDTH DIAMETER	70cm 27.56"
LENGTH PROJECTION	185cm 72.83"
WEIGHT	9KG 19.84lbs
LAMP HOLDER	E27 or E26 *
MAX WATTAGE	60W x 6
VOLTAGE	220/240v or 110/120v *
IP RATING	20
CLASS PROTECTION	I
SHADE CODE	
CABLE CHAIN BAR LENGT	n/a
CABLE TYPE	-

Fixing Bracket MLWB17 | Antique Brass
 * Fixing bracket may differ for UL wired products.



Product Notes:

1) Bulbs not included. 2) Dimensions do not include bulbs. 3) All products are individually made-to-order and therefore may differ slightly within manufacturing tolerances. 4) Cable / chain can be shortened during installation. Longer cable / chain lengths available on request. 5) Additional colour finishes may be available on request. 6) UL wired products operate at 110/120v with the appropriate lamp holder. 7) Twisted cable is not available for UL wired products. Round cable in black or brown only is supplied instead. 8) Refer to our website for a full list of terms and conditions.

OTTAWA Chandelier

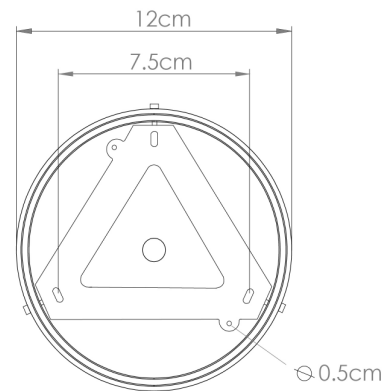
MLF204ANTSLV Antique Silver



MATERIAL	Brass Glass
HEIGHT	80cm 31.5"
WIDTH DIAMETER	70cm 27.56"
LENGTH PROJECTION	185cm 72.83"
WEIGHT	9KG 19.84lbs
LAMP HOLDER	E27 or E26 *
MAX WATTAGE	60W x 6
VOLTAGE	220/240v or 110/120v *
IP RATING	20
CLASS PROTECTION	I
SHADE CODE	
CABLE CHAIN BAR LENGT	n/a
CABLE TYPE	-

Fixing Bracket MLWB17 | Antique Silver

* Fixing bracket may differ for UL wired products.



Product Notes:

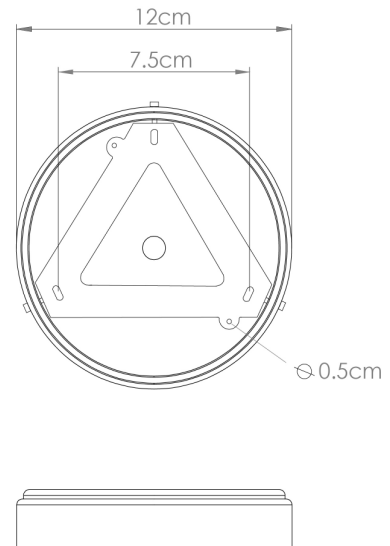
1) Bulbs not included. 2) Dimensions do not include bulbs. 3) All products are individually made-to-order and therefore may differ slightly within manufacturing tolerances. 4) Cable / chain can be shortened during installation. Longer cable / chain lengths available on request. 5) Additional colour finishes may be available on request. 6) UL wired products operate at 110/120v with the appropriate lamp holder. 7) Twisted cable is not available for UL wired products. Round cable in black or brown only is supplied instead. 8) Refer to our website for a full list of terms and conditions.



MATERIAL	BRASS GLASS
HEIGHT	80CM 31.5"
WIDTH DIAMETER	70CM 27.56"
LENGTH PROJECTION	185cm 72.83"
WEIGHT	9KG 19.84lbs
LAMP HOLDER	E27 or E26 *
MAX WATTAGE	60W x 6
VOLTAGE	220/240v or 110/120v *
IP RATING	20
CLASS PROTECTION	I
SHADE CODE	
CABLE CHAIN BAR LENGT	n/a
CABLE TYPE	MLCA028 2 Core Round Black Braid PVC

Fixing Bracket MLWB17

* Fixing bracket may differ for UL wired products.



Product Notes:

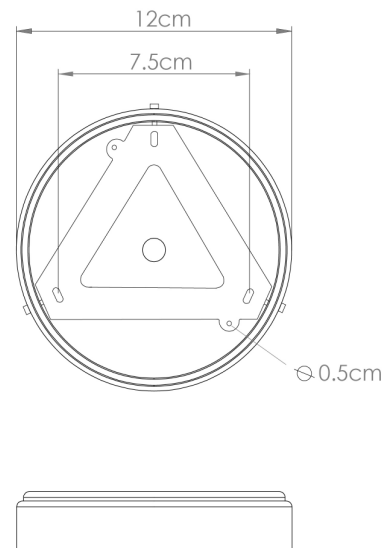
1) Bulbs not included. 2) Dimensions do not include bulbs. 3) All products are individually made-to-order and therefore may differ slightly within manufacturing tolerances. 4) Cable / chain can be shortened during installation. Longer cable / chain lengths available on request. 5) Additional colour finishes may be available on request. 6) UL wired products operate at 110/120v with the appropriate lamp holder. 7) Twisted cable is not available for UL wired products. Round cable in black or brown only is supplied instead. 8) Refer to our website for a full list of terms and conditions.



MATERIAL	Brass Glass
HEIGHT	80cm 31.5"
WIDTH DIAMETER	70cm 27.56"
LENGTH PROJECTION	185cm 72.83"
WEIGHT	9KG 19.84lbs
LAMP HOLDER	E27 or E26 *
MAX WATTAGE	60W x 6
VOLTAGE	220/240v or 110/120v *
IP RATING	20
CLASS PROTECTION	I
SHADE CODE	
CABLE CHAIN BAR LENGT	n/a
CABLE TYPE	-

Fixing Bracket MLWB17 | Polished Brass

* Fixing bracket may differ for UL wired products.



Product Notes:

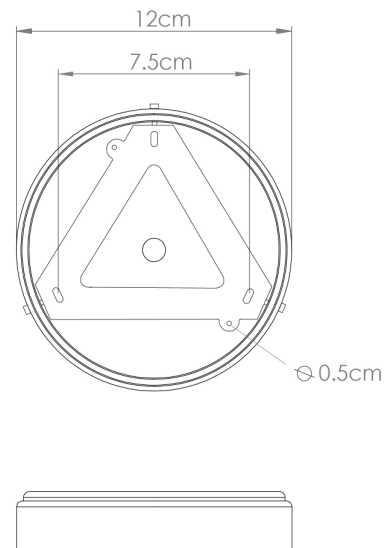
1) Bulbs not included. 2) Dimensions do not include bulbs. 3) All products are individually made-to-order and therefore may differ slightly within manufacturing tolerances. 4) Cable / chain can be shortened during installation. Longer cable / chain lengths available on request. 5) Additional colour finishes may be available on request. 6) UL wired products operate at 110/120v with the appropriate lamp holder. 7) Twisted cable is not available for UL wired products. Round cable in black or brown only is supplied instead. 8) Refer to our website for a full list of terms and conditions.



MATERIAL	Brass Glass
HEIGHT	80cm 31.5"
WIDTH DIAMETER	70cm 27.56"
LENGTH PROJECTION	185cm 72.83"
WEIGHT	9KG 19.84lbs
LAMP HOLDER	E27 or E26 *
MAX WATTAGE	60W x 6
VOLTAGE	220/240v or 110/120v *
IP RATING	20
CLASS PROTECTION	I
SHADE CODE	
CABLE CHAIN BAR LENGT	n/a
CABLE TYPE	-

Fixing Bracket MLWB17 | Satin Brass

* Fixing bracket may differ for UL wired products.



Product Notes:

1) Bulbs not included. 2) Dimensions do not include bulbs. 3) All products are individually made-to-order and therefore may differ slightly within manufacturing tolerances. 4) Cable / chain can be shortened during installation. Longer cable / chain lengths available on request. 5) Additional colour finishes may be available on request. 6) UL wired products operate at 110/120v with the appropriate lamp holder. 7) Twisted cable is not available for UL wired products. Round cable in black or brown only is supplied instead. 8) Refer to our website for a full list of terms and conditions.