

TANSY Ceramic Pendant

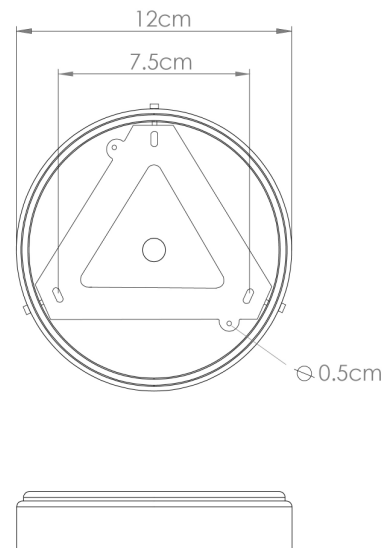
MLCMP023ANTBRSC L Antiqu e Brass



MATERIAL	Brass
HEIGHT	14cm 5.51"
WIDTH DIAMETER	12cm 4.72"
LENGTH PROJECTION	9.5cm 3.74"
WEIGHT	0.6KG 1.32lbs
LAMP HOLDER	G9
MAX WATTAGE	6.5W x 1
VOLTAGE	220/240v or 110/120v *
IP RATING	20
CLASS PROTECTION	I
SHADE CODE	GL196
CABLE CHAIN BAR LENG T	100cm 40"
CABLE TYPE	MLCA002 2 Core Twist Brown Braid PVC

Fixing Bracket MLROSE39| Antiqu e Brass

* Fixing bracket may differ for UL wired products.



Product Notes:

1) Bulbs not included. 2) Dimensions do not include bulbs. 3) All products are individually made-to-order and therefore may differ slightly within manufacturing tolerances. 4) Cable / chain can be shortened during installation. Longer cable / chain lengths available on request. 5) Additional colour finishes may be available on request. 6) UL wired products operate at 110/120v with the appropriate lamp holder. 7) Twisted cable is not available for UL wired products. Round cable in black or brown only is supplied instead. 8) Refer to our website for a full list of terms and conditions.

TANSY Ceramic Pendant

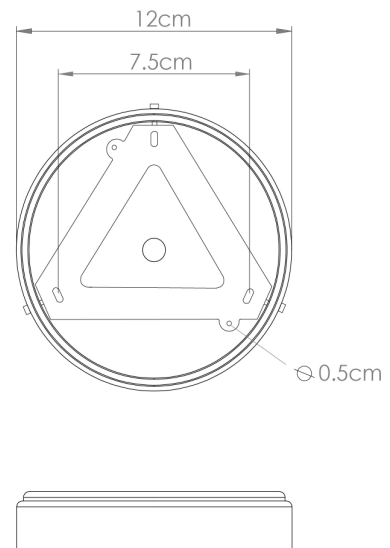
MLCMP023ANTBRSFR Antique Brass



MATERIAL	Brass
HEIGHT	14cm 5.51"
WIDTH DIAMETER	12cm 4.72"
LENGTH PROJECTION	9.5cm 3.74"
WEIGHT	0.6KG 1.32lbs
LAMP HOLDER	G9
MAX WATTAGE	6.5W x 1
VOLTAGE	220/240v or 110/120v *
IP RATING	20
CLASS PROTECTION	I
SHADE CODE	GL208
CABLE CHAIN BAR LENGT	100cm 40"
CABLE TYPE	MLCA002 2 Core Twist Brown Braid PVC

Fixing Bracket MLROSE39| Antique Brass

* Fixing bracket may differ for UL wired products.



Product Notes:

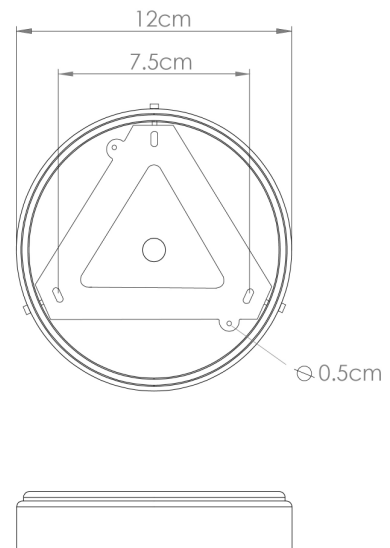
1) Bulbs not included. 2) Dimensions do not include bulbs. 3) All products are individually made-to-order and therefore may differ slightly within manufacturing tolerances. 4) Cable / chain can be shortened during installation. Longer cable / chain lengths available on request. 5) Additional colour finishes may be available on request. 6) UL wired products operate at 110/120v with the appropriate lamp holder. 7) Twisted cable is not available for UL wired products. Round cable in black or brown only is supplied instead. 8) Refer to our website for a full list of terms and conditions.



MATERIAL	Brass
HEIGHT	14cm 5.51"
WIDTH DIAMETER	12cm 4.72"
LENGTH PROJECTION	9.5cm 3.74"
WEIGHT	0.6KG 1.32lbs
LAMP HOLDER	G9
MAX WATTAGE	6.5W x 1
VOLTAGE	220/240v or 110/120v*
IP RATING	20
CLASS PROTECTION	I
SHADE CODE	GL192
CABLE CHAIN BAR LENGT	100cm 40"
CABLE TYPE	MLCA002 2 Core Twist Brown Braid PVC

Fixing Bracket MLROSE39| Antique Brass

* Fixing bracket may differ for UL wired products.



Product Notes:

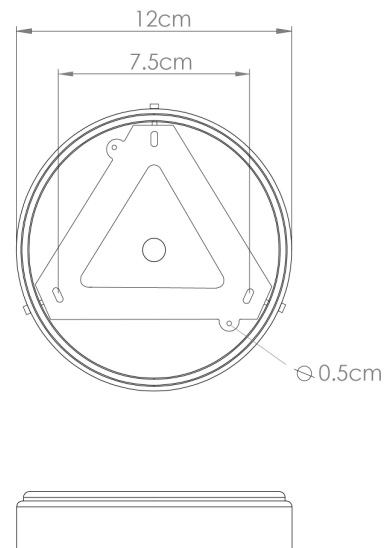
1) Bulbs not included. 2) Dimensions do not include bulbs. 3) All products are individually made-to-order and therefore may differ slightly within manufacturing tolerances. 4) Cable / chain can be shortened during installation. Longer cable / chain lengths available on request. 5) Additional colour finishes may be available on request. 6) UL wired products operate at 110/120v with the appropriate lamp holder. 7) Twisted cable is not available for UL wired products. Round cable in black or brown only is supplied instead. 8) Refer to our website for a full list of terms and conditions.



MATERIAL	Brass
HEIGHT	14cm 5.51"
WIDTH DIAMETER	12cm 4.72"
LENGTH PROJECTION	9.5cm 3.74"
WEIGHT	0.6KG 1.32lbs
LAMP HOLDER	G9
MAX WATTAGE	6.5W x 1
VOLTAGE	220/240v or 110/120v*
IP RATING	20
CLASS PROTECTION	I
SHADE CODE	GL196
CABLE CHAIN BAR LENGT	100cm 40"
CABLE TYPE	MLCA001 2 Core Twist Black Braid PVC

Fixing Bracket MLROSE39| Antique Silver

* Fixing bracket may differ for UL wired products.



Product Notes:

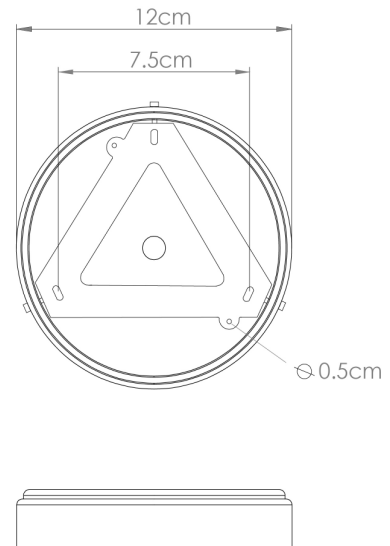
1) Bulbs not included. 2) Dimensions do not include bulbs. 3) All products are individually made-to-order and therefore may differ slightly within manufacturing tolerances. 4) Cable / chain can be shortened during installation. Longer cable / chain lengths available on request. 5) Additional colour finishes may be available on request. 6) UL wired products operate at 110/120v with the appropriate lamp holder. 7) Twisted cable is not available for UL wired products. Round cable in black or brown only is supplied instead. 8) Refer to our website for a full list of terms and conditions.



MATERIAL	Brass
HEIGHT	14cm 5.51"
WIDTH DIAMETER	12cm 4.72"
LENGTH PROJECTION	9.5cm 3.74"
WEIGHT	0.6KG 1.32lbs
LAMP HOLDER	G9
MAX WATTAGE	6.5W x 1
VOLTAGE	220/240v or 110/120v*
IP RATING	20
CLASS PROTECTION	I
SHADE CODE	GL208
CABLE CHAIN BAR LENGT	100cm 40"
CABLE TYPE	MLCA001 2 Core Twist Black Braid PVC

Fixing Bracket MLROSE39| Antique Silver

* Fixing bracket may differ for UL wired products.



Product Notes:

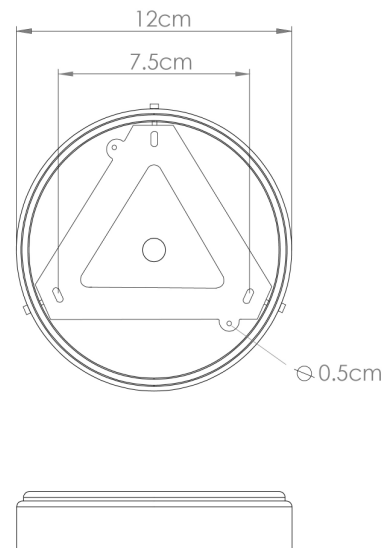
1) Bulbs not included. 2) Dimensions do not include bulbs. 3) All products are individually made-to-order and therefore may differ slightly within manufacturing tolerances. 4) Cable / chain can be shortened during installation. Longer cable / chain lengths available on request. 5) Additional colour finishes may be available on request. 6) UL wired products operate at 110/120v with the appropriate lamp holder. 7) Twisted cable is not available for UL wired products. Round cable in black or brown only is supplied instead. 8) Refer to our website for a full list of terms and conditions.



MATERIAL	Brass
HEIGHT	14cm 5.51"
WIDTH DIAMETER	12cm 4.72"
LENGTH PROJECTION	9.5cm 3.74"
WEIGHT	0.6KG 1.32lbs
LAMP HOLDER	G9
MAX WATTAGE	6.5W x 1
VOLTAGE	220/240v or 110/120v *
IP RATING	20
CLASS PROTECTION	I
SHADE CODE	GL192
CABLE CHAIN BAR LENGT	100cm 40"
CABLE TYPE	MLCA001 2 Core Twist Black Braid PVC

Fixing Bracket MLROSE39| Antique Silver

* Fixing bracket may differ for UL wired products.



Product Notes:

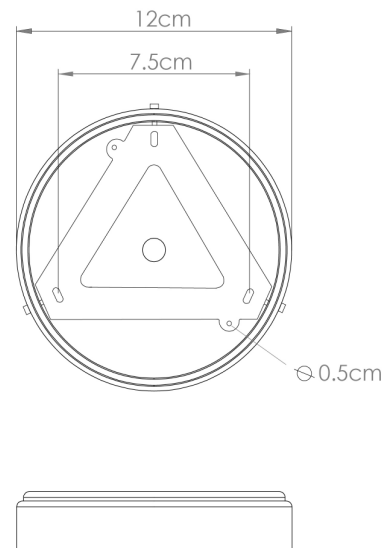
1) Bulbs not included. 2) Dimensions do not include bulbs. 3) All products are individually made-to-order and therefore may differ slightly within manufacturing tolerances. 4) Cable / chain can be shortened during installation. Longer cable / chain lengths available on request. 5) Additional colour finishes may be available on request. 6) UL wired products operate at 110/120v with the appropriate lamp holder. 7) Twisted cable is not available for UL wired products. Round cable in black or brown only is supplied instead. 8) Refer to our website for a full list of terms and conditions.



MATERIAL	Brass
HEIGHT	14cm 5.51"
WIDTH DIAMETER	12cm 4.72"
LENGTH PROJECTION	9.5cm 3.74"
WEIGHT	0.6KG 1.32lbs
LAMP HOLDER	G9
MAX WATTAGE	6.5W x 1
VOLTAGE	220/240v or 110/120v *
IP RATING	20
CLASS PROTECTION	I
SHADE CODE	GL196
CABLE CHAIN BAR LENGT	100cm 40"
CABLE TYPE	MLCA001 2 Core Twist Black Braid PVC

Fixing Bracket MLROSE39| Polished Brass

* Fixing bracket may differ for UL wired products.



Product Notes:

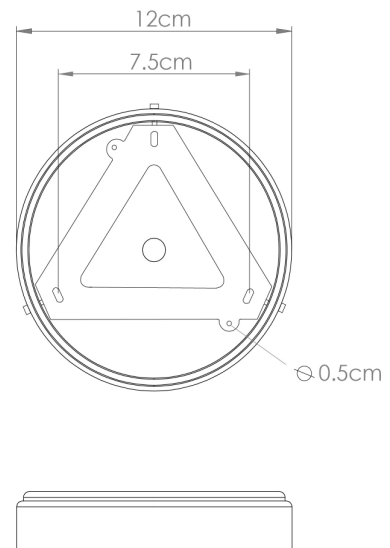
1) Bulbs not included. 2) Dimensions do not include bulbs. 3) All products are individually made-to-order and therefore may differ slightly within manufacturing tolerances. 4) Cable / chain can be shortened during installation. Longer cable / chain lengths available on request. 5) Additional colour finishes may be available on request. 6) UL wired products operate at 110/120v with the appropriate lamp holder. 7) Twisted cable is not available for UL wired products. Round cable in black or brown only is supplied instead. 8) Refer to our website for a full list of terms and conditions.



MATERIAL	Brass
HEIGHT	14cm 5.51"
WIDTH DIAMETER	12cm 4.72"
LENGTH PROJECTION	9.5cm 3.74"
WEIGHT	0.6KG 1.32lbs
LAMP HOLDER	G9
MAX WATTAGE	6.5W x 1
VOLTAGE	220/240v or 110/120v*
IP RATING	20
CLASS PROTECTION	I
SHADE CODE	GL208
CABLE CHAIN BAR LENGT	100cm 40"
CABLE TYPE	MLCA001 2 Core Twist Black Braid PVC

Fixing Bracket MLROSE39| Polished Brass

* Fixing bracket may differ for UL wired products.



Product Notes:

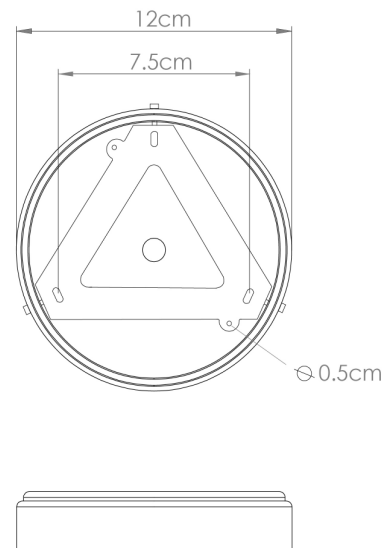
1) Bulbs not included. 2) Dimensions do not include bulbs. 3) All products are individually made-to-order and therefore may differ slightly within manufacturing tolerances. 4) Cable / chain can be shortened during installation. Longer cable / chain lengths available on request. 5) Additional colour finishes may be available on request. 6) UL wired products operate at 110/120v with the appropriate lamp holder. 7) Twisted cable is not available for UL wired products. Round cable in black or brown only is supplied instead. 8) Refer to our website for a full list of terms and conditions.



MATERIAL	Brass
HEIGHT	14cm 5.51"
WIDTH DIAMETER	12cm 4.72"
LENGTH PROJECTION	9.5cm 3.74"
WEIGHT	0.6KG 1.32lbs
LAMP HOLDER	G9
MAX WATTAGE	6.5W x 1
VOLTAGE	220/240v or 110/120v*
IP RATING	20
CLASS PROTECTION	I
SHADE CODE	GL192
CABLE CHAIN BAR LENGT	100cm 40"
CABLE TYPE	MLCA001 2 Core Twist Black Braid PVC

Fixing Bracket MLROSE39| Polished Brass

* Fixing bracket may differ for UL wired products.



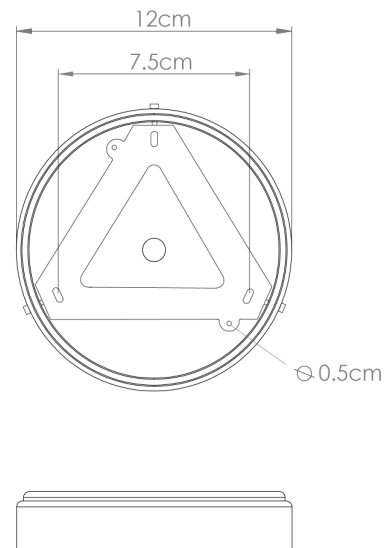
Product Notes:

1) Bulbs not included. 2) Dimensions do not include bulbs. 3) All products are individually made-to-order and therefore may differ slightly within manufacturing tolerances. 4) Cable / chain can be shortened during installation. Longer cable / chain lengths available on request. 5) Additional colour finishes may be available on request. 6) UL wired products operate at 110/120v with the appropriate lamp holder. 7) Twisted cable is not available for UL wired products. Round cable in black or brown only is supplied instead. 8) Refer to our website for a full list of terms and conditions.



MATERIAL	Brass
HEIGHT	14cm 5.51"
WIDTH DIAMETER	12cm 4.72"
LENGTH PROJECTION	9.5cm 3.74"
WEIGHT	0.6KG 1.32lbs
LAMP HOLDER	G9
MAX WATTAGE	6.5W x 1
VOLTAGE	220/240v or 110/120v*
IP RATING	20
CLASS PROTECTION	I
SHADE CODE	GL196
CABLE CHAIN BAR LENGT	100cm 40"
CABLE TYPE	MLCA001 2 Core Twist Black Braid PVC

Fixing Bracket MLROSE39| Satin Brass
 * Fixing bracket may differ for UL wired products.



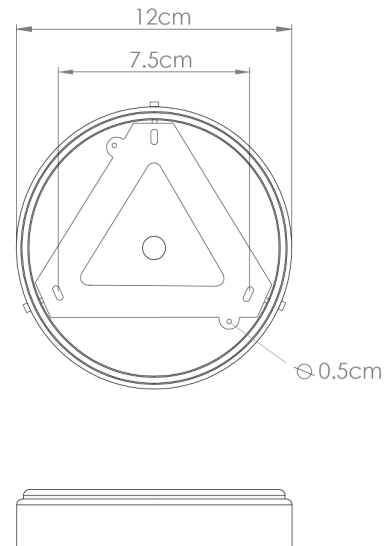
Product Notes:

1) Bulbs not included. 2) Dimensions do not include bulbs. 3) All products are individually made-to-order and therefore may differ slightly within manufacturing tolerances. 4) Cable / chain can be shortened during installation. Longer cable / chain lengths available on request. 5) Additional colour finishes may be available on request. 6) UL wired products operate at 110/120v with the appropriate lamp holder. 7) Twisted cable is not available for UL wired products. Round cable in black or brown only is supplied instead. 8) Refer to our website for a full list of terms and conditions.



MATERIAL	Brass
HEIGHT	14cm 5.51"
WIDTH DIAMETER	12cm 4.72"
LENGTH PROJECTION	9.5cm 3.74"
WEIGHT	0.6KG 1.32lbs
LAMP HOLDER	G9
MAX WATTAGE	6.5W x 1
VOLTAGE	220/240v or 110/120v*
IP RATING	20
CLASS PROTECTION	I
SHADE CODE	GL208
CABLE CHAIN BAR LENGT	100cm 40"
CABLE TYPE	MLCA001 2 Core Twist Black Braid PVC

Fixing Bracket MLROSE39| Satin Brass
 * Fixing bracket may differ for UL wired products.



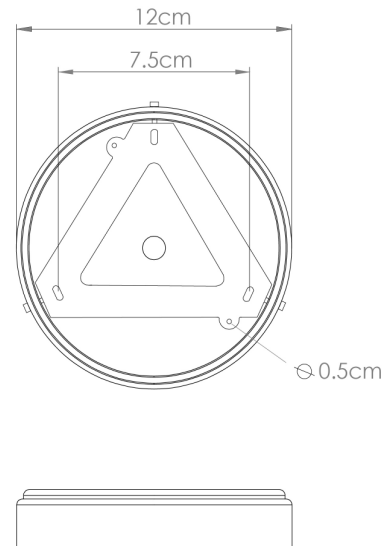
Product Notes:

1) Bulbs not included. 2) Dimensions do not include bulbs. 3) All products are individually made-to-order and therefore may differ slightly within manufacturing tolerances. 4) Cable / chain can be shortened during installation. Longer cable / chain lengths available on request. 5) Additional colour finishes may be available on request. 6) UL wired products operate at 110/120v with the appropriate lamp holder. 7) Twisted cable is not available for UL wired products. Round cable in black or brown only is supplied instead. 8) Refer to our website for a full list of terms and conditions.



MATERIAL	Brass
HEIGHT	14cm 5.51"
WIDTH DIAMETER	12cm 4.72"
LENGTH PROJECTION	9.5cm 3.74"
WEIGHT	0.6KG 1.32lbs
LAMP HOLDER	G9
MAX WATTAGE	6.5W x 1
VOLTAGE	220/240v or 110/120v *
IP RATING	20
CLASS PROTECTION	I
SHADE CODE	GL192
CABLE CHAIN BAR LENGT	100cm 40"
CABLE TYPE	MLCA001 2 Core Twist Black Braid PVC

Fixing Bracket MLROSE39| Satin Brass
 * Fixing bracket may differ for UL wired products.



Product Notes:

1) Bulbs not included. 2) Dimensions do not include bulbs. 3) All products are individually made-to-order and therefore may differ slightly within manufacturing tolerances. 4) Cable / chain can be shortened during installation. Longer cable / chain lengths available on request. 5) Additional colour finishes may be available on request. 6) UL wired products operate at 110/120v with the appropriate lamp holder. 7) Twisted cable is not available for UL wired products. Round cable in black or brown only is supplied instead. 8) Refer to our website for a full list of terms and conditions.