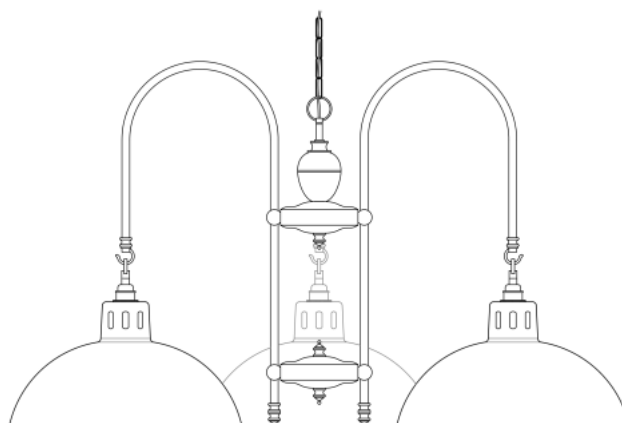


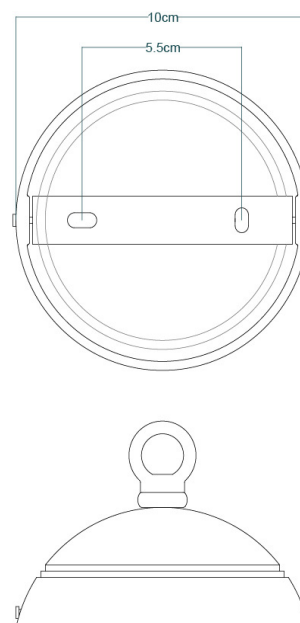
GOIANIA Chandelier

MLF216ANTBRS Antique Brass



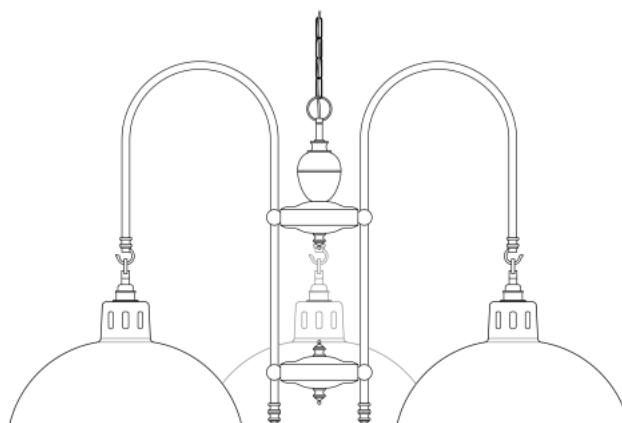
MATERIAL	Brass
HEIGHT	52cm 20.47"
WIDTH DIAMETER	90cm 35.43"
LENGTH PROJECTION	n/a
WEIGHT	5.54KG 12.21lbs
LAMPHOLDER	E27 x 3
MAX WATTAGE	60W x 3
VOLTAGE	220/240v
IP RATING	20
CLASS PROTECTION	I
SHADE	-
FLEX BAR CHAIN LENGT	100cm 40"
CABLE TYPE	MLCA036 3 Core Round Brown PVC

Fixing Bracket MLROSE15 | Antique Brass



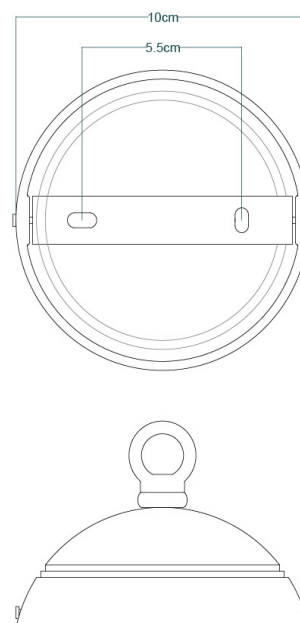
Product Notes:

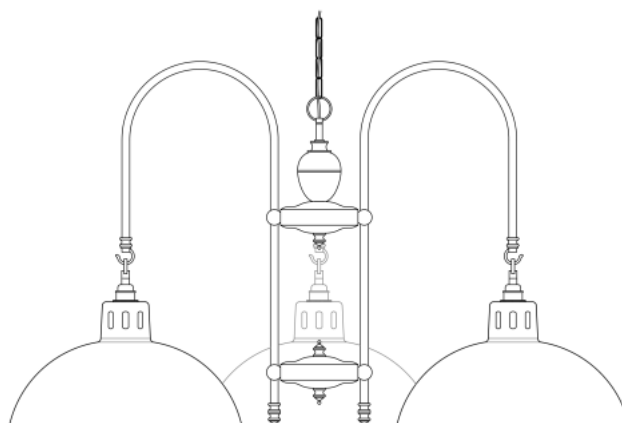
1) Lamps not included with light fixture. 2) All products are individually hand crafted, therefore may differ slightly within manufacturing tolerances. 3) Please refer to: <http://www.mullanlighting.com/terms> for full list of Terms & Conditions. 4) Cable/Chain can be shortened during installation. 5) Longer Cable/Chain available on request. 6) Additional colour finishes available on request. 7.) Dimensions do not include lamps. 8.) Products wired to UL standards will operate at 110/120v with the appropriate lampholders.



MATERIAL	Brass
HEIGHT	52cm 20.47"
WIDTH DIAMETER	90cm 35.43"
LENGTH PROJECTION	n/a
WEIGHT	5.54KG 12.21lbs
LAMPHOLDER	E27 x 3
MAX WATTAGE	60W x 3
VOLTAGE	220/240v
IP RATING	20
CLASS PROTECTION	I
SHADE	-
FLEX BAR CHAIN LENGT	100cm 40"
CABLE TYPE	MLCA013 3 Core Round Clear PVC

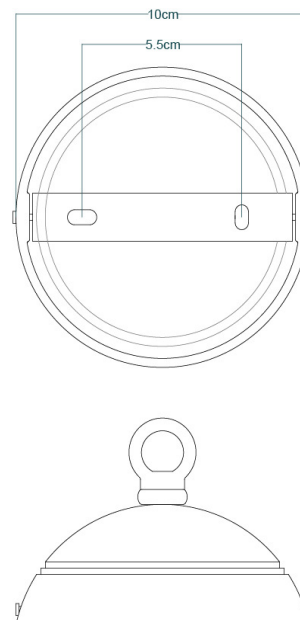
Fixing Bracket MLROSE15 | Antique Silver





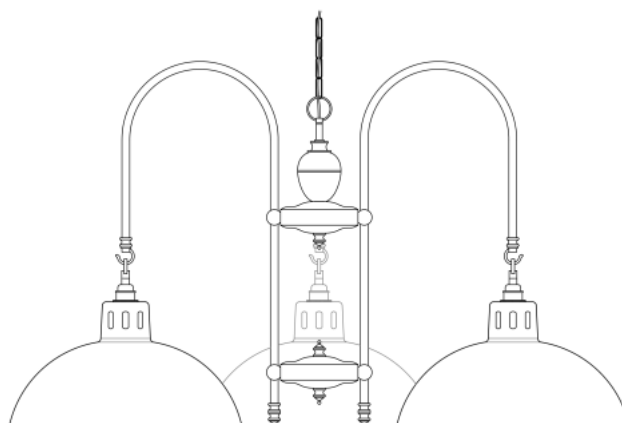
MATERIAL	Brass
HEIGHT	52cm 20.47"
WIDTH DIAMETER	90cm 35.43"
LENGTH PROJECTION	n/a
WEIGHT	5.54KG 12.21lbs
LAMPHOLDER	E27 x 3
MAX WATTAGE	60W x 3
VOLTAGE	220/240v
IP RATING	20
CLASS PROTECTION	I
SHADE	-
FLEX BAR CHAIN LENGT	100cm 40"
CABLE TYPE	MLCA012 3 Core Round Gold PVC

Fixing Bracket MLROSE15 | Polished Brass



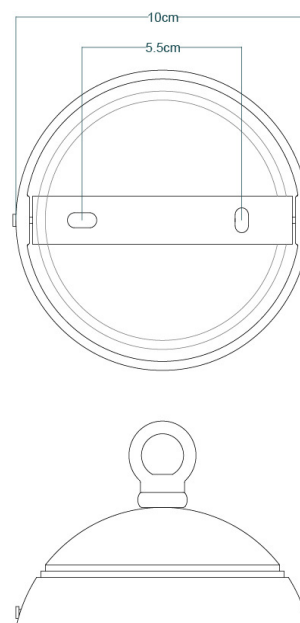
Product Notes:

1) Lamps not included with light fixture. 2) All products are individually hand crafted, therefore may differ slightly within manufacturing tolerances. 3) Please refer to: <http://www.mullanlighting.com/terms> for full list of Terms & Conditions. 4) Cable/Chain can be shortened during installation. 5) Longer Cable/Chain available on request. 6) Additional colour finishes available on request. 7.) Dimensions do not include lamps. 8.) Products wired to UL standards will operate at 110/120v with the appropriate lampholders.



MATERIAL	Brass
HEIGHT	52cm 20.47"
WIDTH DIAMETER	90cm 35.43"
LENGTH PROJECTION	n/a
WEIGHT	5.54KG 12.21lbs
LAMPHOLDER	E27 x 3
MAX WATTAGE	60W x 3
VOLTAGE	220/240v
IP RATING	20
CLASS PROTECTION	I
SHADE	-
FLEX BAR CHAIN LENGT	100cm 40"
CABLE TYPE	MLCA012 3 Core Round Gold PVC

Fixing Bracket MLROSE15 | Satin Brass



Product Notes:

1) Lamps not included with light fixture. 2) All products are individually hand crafted, therefore may differ slightly within manufacturing tolerances. 3) Please refer to: <http://www.mullanlighting.com/terms> for full list of Terms & Conditions. 4) Cable/Chain can be shortened during installation. 5) Longer Cable/Chain available on request. 6) Additional colour finishes available on request. 7.) Dimensions do not include lamps. 8.) Products wired to UL standards will operate at 110/120v with the appropriate lampholders.