

KAURI Ceramic Ceiling Fitting

MLCMCF007ANTBRS Antique Brass



MATERIAL	Brass Ceramic	Fixing Bracket	MLROSE39 Antique Brass
HEIGHT	20.0cm 7.87"		
WIDTH DIAMETER	20.0cm 7.87"		
LENGTH PROJECTION	n/a		
WEIGHT	0.9KG 1.98lbs		
LAMPHOLDER	E27 x 1		
MAX WATTAGE	40W x 1		
VOLTAGE	220/240v		
IP RATING	20		
CLASS PROTECTION	I		
SHADE	MLCS003		
FLEX BAR CHAIN LENGT	n/a		
CABLE TYPE	MLCA047 2 Core Round Brown Braid PVC		

Product Notes:

1) Lamps not included with light fixture. 2) All products are individually hand crafted, therefore may differ slightly within manufacturing tolerances. 3) Please refer to: <http://www.mullanlighting.com/terms> for full list of Terms & Conditions. 4) Cable/Chain can be shortened during installation. 5) Longer Cable/Chain available on request. 6) Additional colour finishes available on request. 7.) Dimensions do not include lamps. 8.) Products wired to UL standards will operate at 110/120v with the appropriate lampholders.



MATERIAL	Brass Ceramic	Fixing Bracket	MLROSE39 Antique Silver
HEIGHT	20.0cm 7.87"		
WIDTH DIAMETER	20.0cm 7.87"		
LENGTH PROJECTION	n/a		
WEIGHT	0.9KG 1.98lbs		
LAMPHOLDER	E27 x 1		
MAX WATTAGE	40W x 1		
VOLTAGE	220/240v		
IP RATING	20		
CLASS PROTECTION	I		
SHADE	MLCS003		
FLEX BAR CHAIN LENGT	n/a		
CABLE TYPE	MLCS028		

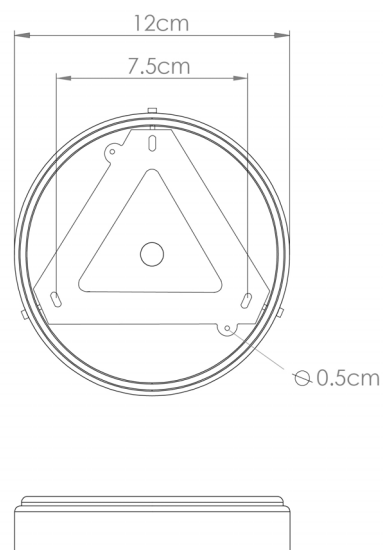
KAURI Ceramic Ceiling Fitting

MLCMCF007PCMBK Matt Black



MATERIAL	Brass Ceramic
HEIGHT	20cm 7.87"
WIDTH DIAMETER	20cm 7.87"
LENGTH PROJECTION	n/a
WEIGHT	0.9KG 1.98lbs
LAMPHOLDER	E27 x 1
MAX WATTAGE	40w x 1
VOLTAGE	220/240v
IP RATING	20
CLASS PROTECTION	I
SHADE	MLCS003
FLEX BAR CHAIN LENGT	n/a
CABLE TYPE	MLCA028 2 Core Round Black Braid PVC

Fixing Bracket MLROSE39



Product Notes:

1) Lamps not included with light fixture. 2) All products are individually hand crafted, therefore may differ slightly within manufacturing tolerances. 3) Please refer to: <http://www.mullanlighting.com/terms> for full list of Terms & Conditions. 4) Cable/Chain can be shortened during installation. 5) Longer Cable/Chain available on request. 6) Additional colour finishes available on request. 7.) Dimensions do not include lamps. 8.) Products wired to UL standards will operate at 110/120v with the appropriate lampholders.

KAURI Ceramic Ceiling Fitting

MLCMCF007POLBRS Polished Brass



MATERIAL	Brass Ceramic	Fixing Bracket MLROSE39 Polished Brass
HEIGHT	20.0cm 7.87"	
WIDTH DIAMETER	20.0cm 7.87"	
LENGTH PROJECTION	n/a	
WEIGHT	0.9KG 1.98lbs	
LAMPHOLDER	E27 x 1	
MAX WATTAGE	40W x 1	
VOLTAGE	220/240v	
IP RATING	20	
CLASS PROTECTION	I	
SHADE	MLCS003	
FLEX BAR CHAIN LENGT	n/a	
CABLE TYPE	-	

Product Notes:

1) Lamps not included with light fixture. 2) All products are individually hand crafted, therefore may differ slightly within manufacturing tolerances. 3) Please refer to: <http://www.mullanlighting.com/terms> for full list of Terms & Conditions. 4) Cable/Chain can be shortened during installation. 5) Longer Cable/Chain available on request. 6) Additional colour finishes available on request. 7.) Dimensions do not include lamps. 8.) Products wired to UL standards will operate at 110/120v with the appropriate lampholders.

KAURI Ceramic Ceiling Fitting

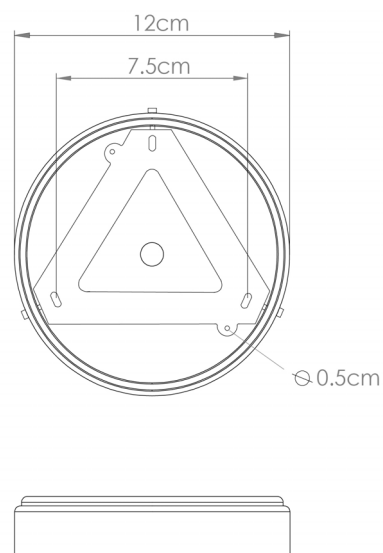
MLCMCF007POLCOP

Polished Copper



MATERIAL	Copper Ceramic
HEIGHT	20cm 7.87"
WIDTH DIAMETER	20cm 7.87"
LENGTH PROJECTION	n/a
WEIGHT	0.9KG 1.98lbs
LAMPHOLDER	E27 x 1
MAX WATTAGE	40w x 1
VOLTAGE	220/240v
IP RATING	20
CLASS PROTECTION	I
SHADE	MLCS003
FLEX BAR CHAIN LENGT	n/a
CABLE TYPE	MLCA028 2 Core Round Black Braid PVC

Fixing Bracket MLROSE39



Product Notes:

1) Lamps not included with light fixture. 2) All products are individually hand crafted, therefore may differ slightly within manufacturing tolerances. 3) Please refer to: <http://www.mullanlighting.com/terms> for full list of Terms & Conditions. 4) Cable/Chain can be shortened during installation. 5) Longer Cable/Chain available on request. 6) Additional colour finishes available on request. 7.) Dimensions do not include lamps. 8.) Products wired to UL standards will operate at 110/120v with the appropriate lampholders.

KAURI Ceramic Ceiling Fitting

MLCMCF007SATBRS Satin Brass



MATERIAL	Brass Ceramic	Fixing Bracket MLROSE39 Satin Brass
HEIGHT	20.0cm 7.87"	
WIDTH DIAMETER	20.0cm 7.87"	
LENGTH PROJECTION	n/a	
WEIGHT	0.9KG 1.98lbs	
LAMPHOLDER	E27 x 1	
MAX WATTAGE	40W x 1	
VOLTAGE	220/240v	
IP RATING	20	
CLASS PROTECTION	I	
SHADE	MLCS003	
FLEX BAR CHAIN LENGT	n/a	
CABLE TYPE	MLCA028 2 Core Round Black Braid PVC	

Product Notes:

1) Lamps not included with light fixture. 2) All products are individually hand crafted, therefore may differ slightly within manufacturing tolerances. 3) Please refer to: <http://www.mullanlighting.com/terms> for full list of Terms & Conditions. 4) Cable/Chain can be shortened during installation. 5) Longer Cable/Chain available on request. 6) Additional colour finishes available on request. 7.) Dimensions do not include lamps. 8.) Products wired to UL standards will operate at 110/120v with the appropriate lampholders.