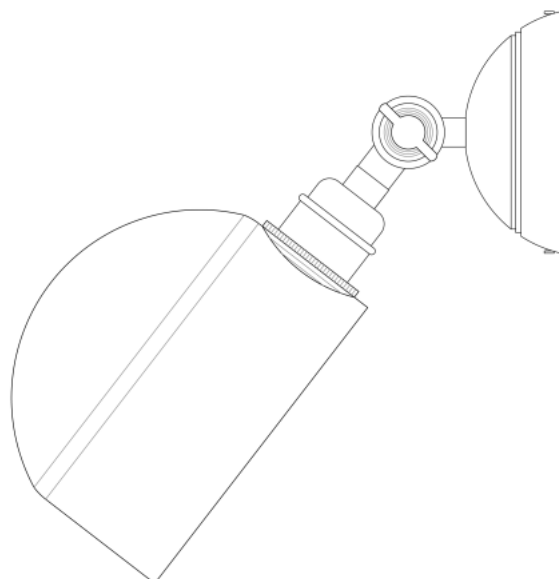


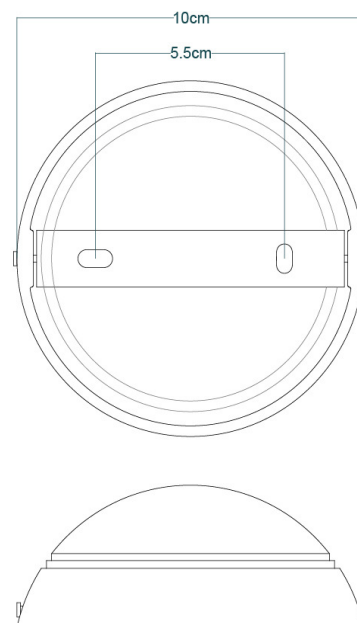
# SAN Wall Light

MLWL236ANTBRS    Antique Brass



MATERIAL	Brass
HEIGHT	11-25.5cm   4.33-10.04"
WIDTH   DIAMETER	13cm   5.12"
LENGTH   PROJECTION	13-26.5cm   5.12-10.43"
WEIGHT	0.73KG   1.61lbs
LAMPHOLDER	E27 x 1
MAX WATTAGE	40W x 1
VOLTAGE	220/240v
IP RATING	20
CLASS PROTECTION	I
SHADE	-
FLEX   BAR   CHAIN LENGT	n/a
CABLE TYPE	-

Fixing Bracket    MLWB01 | Antique Brass

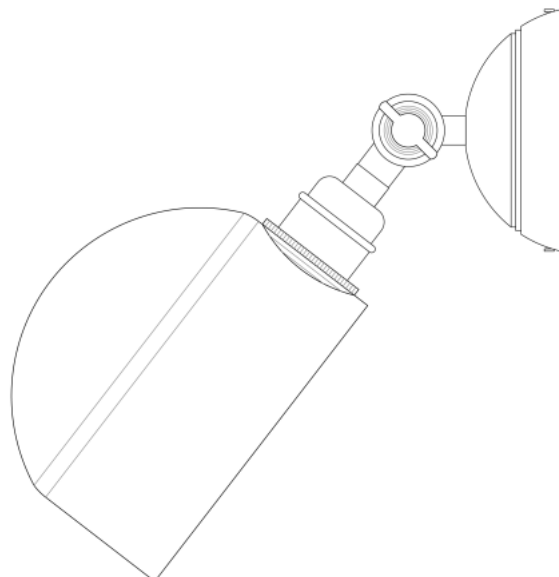


Product Notes:

1) Lamps not included with light fixture. 2) All products are individually hand crafted, therefore may differ slightly within manufacturing tolerances. 3) Please refer to: <http://www.mullanlighting.com/terms> for full list of Terms & Conditions. 4) Cable/Chain can be shortened during installation. 5) Longer Cable/Chain available on request. 6) Additional colour finishes available on request. 7.) Dimensions do not include lamps. 8.) Products wired to UL standards will operate at 110/120v with the appropriate lampholders.

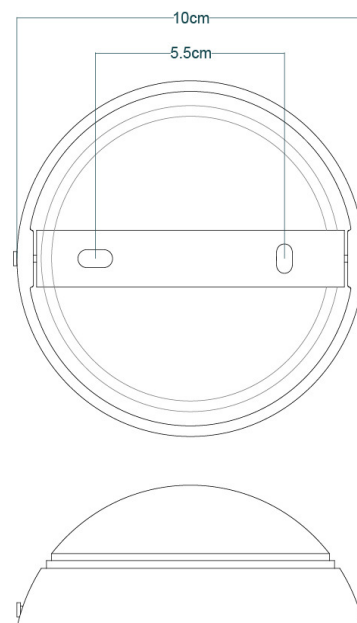
## SAN Wall Light

MLWL236ANTSLV Antique Silver



MATERIAL	Brass
HEIGHT	11-25.5cm   4.33-10.04"
WIDTH   DIAMETER	13cm   5.12"
LENGTH   PROJECTION	13-26.5cm   5.12-10.43"
WEIGHT	0.73KG   1.61lbs
LAMPHOLDER	E27 x 1
MAX WATTAGE	40W x 1
VOLTAGE	220/240v
IP RATING	20
CLASS PROTECTION	I
SHADE	-
FLEX   BAR   CHAIN LENGT	n/a
CABLE TYPE	-

Fixing Bracket MLWB01 | Antique Silver

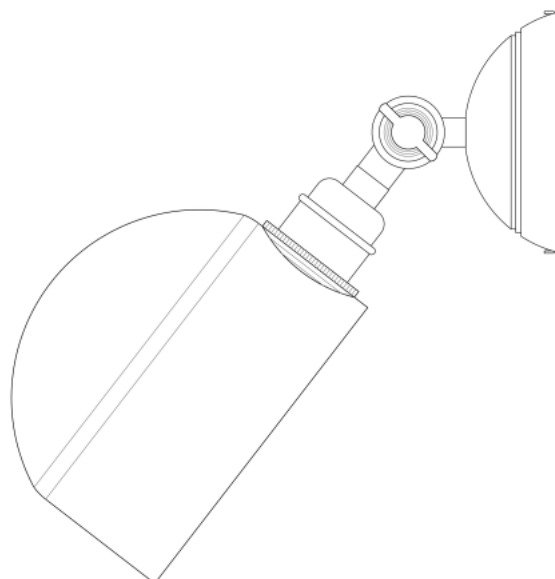


Product Notes:

1) Lamps not included with light fixture. 2) All products are individually hand crafted, therefore may differ slightly within manufacturing tolerances. 3) Please refer to: <http://www.mullanlighting.com/terms> for full list of Terms & Conditions. 4) Cable/Chain can be shortened during installation. 5) Longer Cable/Chain available on request. 6) Additional colour finishes available on request. 7.) Dimensions do not include lamps. 8.) Products wired to UL standards will operate at 110/120v with the appropriate lampholders.

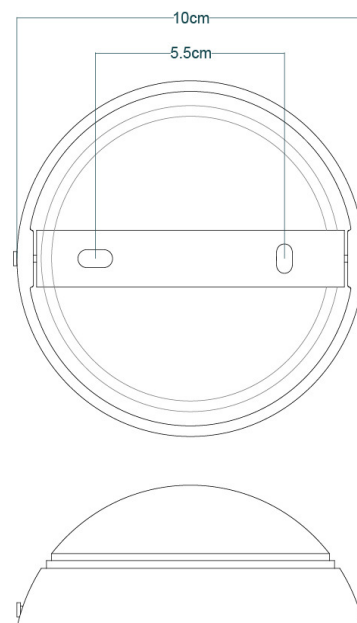
# SAN Wall Light

MLWL236POLBRS Polished Brass



MATERIAL	Brass
HEIGHT	11-25.5cm   4.33-10.04"
WIDTH   DIAMETER	13cm   5.12"
LENGTH   PROJECTION	13-26.5cm   5.12-10.43"
WEIGHT	0.73KG   1.61lbs
LAMPHOLDER	E27 x 1
MAX WATTAGE	40W x 1
VOLTAGE	220/240v
IP RATING	20
CLASS PROTECTION	I
SHADE	-
FLEX   BAR   CHAIN LENGT	n/a
CABLE TYPE	-

Fixing Bracket MLWB01 | Polished Brass

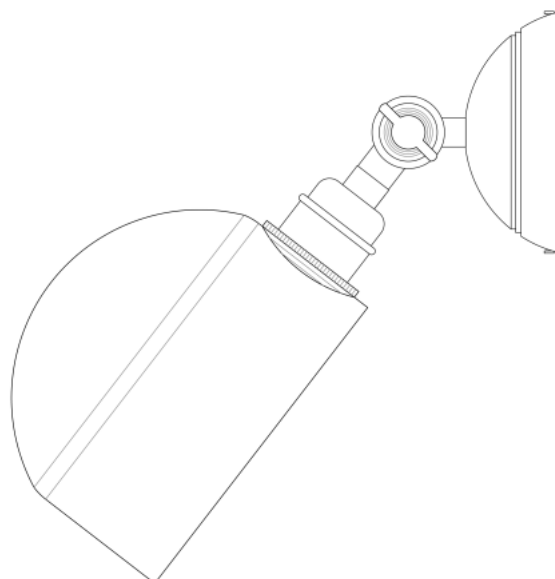


Product Notes:

1) Lamps not included with light fixture. 2) All products are individually hand crafted, therefore may differ slightly within manufacturing tolerances. 3) Please refer to: <http://www.mullanlighting.com/terms> for full list of Terms & Conditions. 4) Cable/Chain can be shortened during installation. 5) Longer Cable/Chain available on request. 6) Additional colour finishes available on request. 7.) Dimensions do not include lamps. 8.) Products wired to UL standards will operate at 110/120v with the appropriate lampholders.

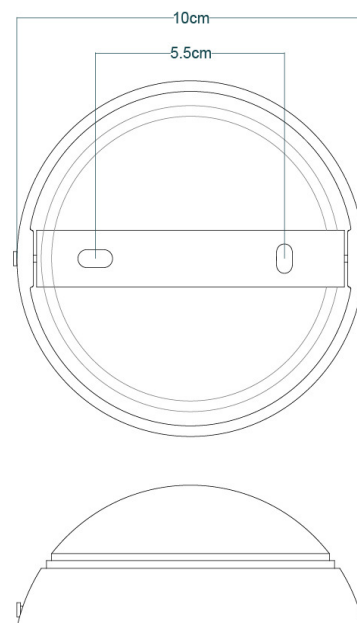
# SAN Wall Light

MLWL236SATBRS Satin Brass



MATERIAL	Brass
HEIGHT	11-25.5cm   4.33-10.04"
WIDTH   DIAMETER	13cm   5.12"
LENGTH   PROJECTION	13-26.5cm   5.12-10.43"
WEIGHT	0.73KG   1.61lbs
LAMPHOLDER	E27 x 1
MAX WATTAGE	40W x 1
VOLTAGE	220/240v
IP RATING	20
CLASS PROTECTION	I
SHADE	-
FLEX   BAR   CHAIN LENGT	n/a
CABLE TYPE	-

Fixing Bracket MLWB01 | Satin Brass



Product Notes:

1) Lamps not included with light fixture. 2) All products are individually hand crafted, therefore may differ slightly within manufacturing tolerances. 3) Please refer to: <http://www.mullanlighting.com/terms> for full list of Terms & Conditions. 4) Cable/Chain can be shortened during installation. 5) Longer Cable/Chain available on request. 6) Additional colour finishes available on request. 7.) Dimensions do not include lamps. 8.) Products wired to UL standards will operate at 110/120v with the appropriate lampholders.