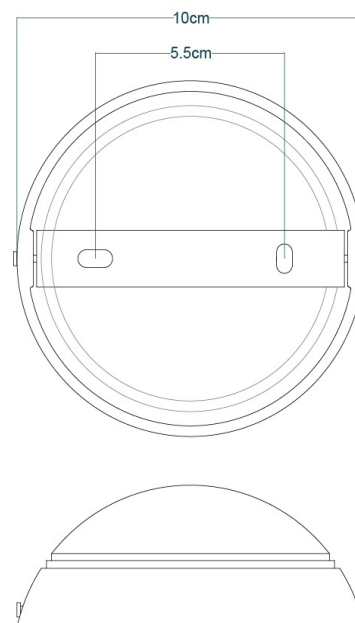


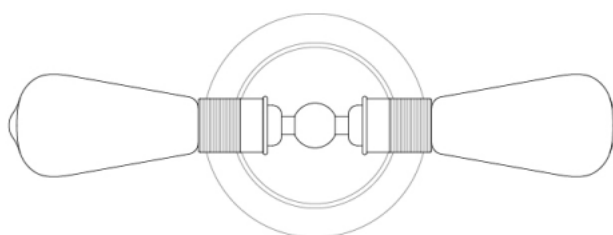
MATERIAL	Brass
HEIGHT	10cm   3.94"
WIDTH   DIAMETER	14.5cm   5.71"
LENGTH   PROJECTION	8.5cm   3.35"
WEIGHT	0.49KG   1.08lbs
LAMPHOLDER	E27 x 2
MAX WATTAGE	60W x 2
VOLTAGE	220/240v
IP RATING	20
CLASS PROTECTION	I
SHADE	-
FLEX   BAR   CHAIN LENGT	n/a
CABLE TYPE	-

Fixing Bracket MLWB01 | Antique Brass



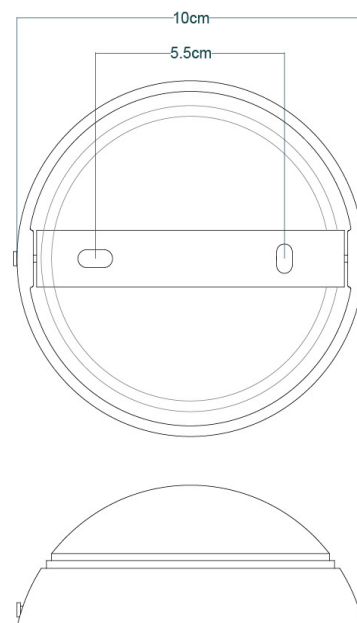
# LOME Wall Light

MLWL171ANTSLV Antique Silver



MATERIAL	Brass
HEIGHT	10cm   3.94"
WIDTH   DIAMETER	14.5cm   5.71"
LENGTH   PROJECTION	8.5cm   3.35"
WEIGHT	0.49KG   1.08lbs
LAMPHOLDER	E27 x 2
MAX WATTAGE	60W x 2
VOLTAGE	220/240v
IP RATING	20
CLASS PROTECTION	I
SHADE	-
FLEX   BAR   CHAIN LENGT	n/a
CABLE TYPE	-

Fixing Bracket MLWB01 | Antique Silver



Product Notes:

1) Lamps not included with light fixture. 2) All products are individually hand crafted, therefore may differ slightly within manufacturing tolerances. 3) Please refer to: <http://www.mullanlighting.com/terms> for full list of Terms & Conditions. 4) Cable/Chain can be shortened during installation. 5) Longer Cable/Chain available on request. 6) Additional colour finishes available on request. 7.) Dimensions do not include lamps. 8.) Products wired to UL standards will operate at 110/120v with the appropriate lampholders.

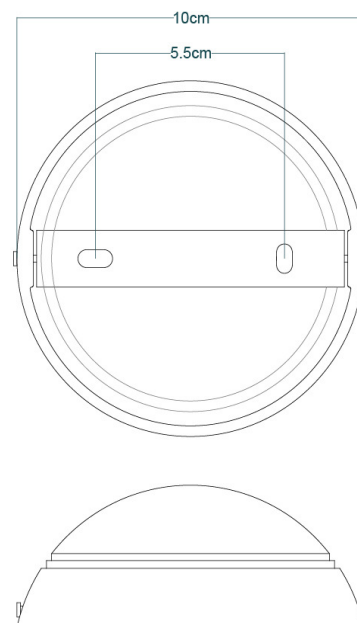
# LOME Wall Light

MLWL171POLBRS Polished Brass



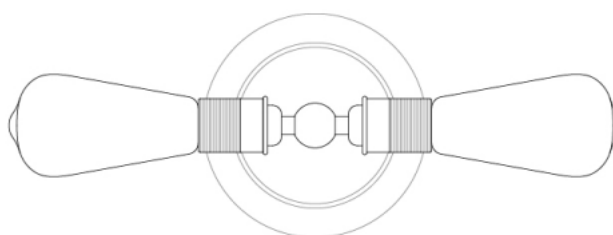
MATERIAL	Brass
HEIGHT	10cm   3.94"
WIDTH   DIAMETER	14.5cm   5.71"
LENGTH   PROJECTION	8.5cm   3.35"
WEIGHT	0.49KG   1.08lbs
LAMPHOLDER	E27 x 2
MAX WATTAGE	60W x 2
VOLTAGE	220/240v
IP RATING	20
CLASS PROTECTION	I
SHADE	-
FLEX   BAR   CHAIN LENGT	n/a
CABLE TYPE	-

Fixing Bracket MLWB01 | Polished Brass



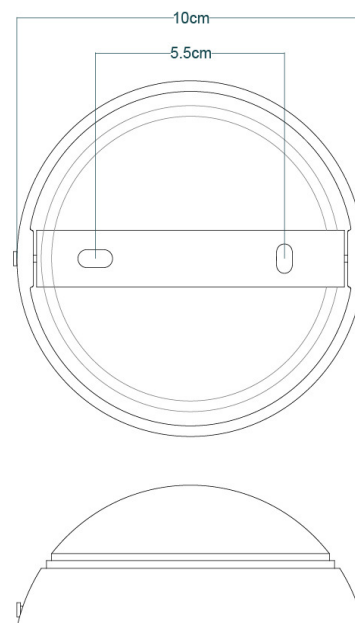
Product Notes:

1) Lamps not included with light fixture. 2) All products are individually hand crafted, therefore may differ slightly within manufacturing tolerances. 3) Please refer to: <http://www.mullanlighting.com/terms> for full list of Terms & Conditions. 4) Cable/Chain can be shortened during installation. 5) Longer Cable/Chain available on request. 6) Additional colour finishes available on request. 7.) Dimensions do not include lamps. 8.) Products wired to UL standards will operate at 110/120v with the appropriate lampholders.



MATERIAL	Brass
HEIGHT	10cm   3.94"
WIDTH   DIAMETER	14.5cm   5.71"
LENGTH   PROJECTION	8.5cm   3.35"
WEIGHT	0.49KG   1.08lbs
LAMPHOLDER	E27 x 2
MAX WATTAGE	60W x 2
VOLTAGE	220/240v
IP RATING	20
CLASS PROTECTION	I
SHADE	-
FLEX   BAR   CHAIN LENGT	n/a
CABLE TYPE	-

Fixing Bracket MLWB01 | Satin Brass



Product Notes:

1) Lamps not included with light fixture. 2) All products are individually hand crafted, therefore may differ slightly within manufacturing tolerances. 3) Please refer to: <http://www.mullanlighting.com/terms> for full list of Terms & Conditions. 4) Cable/Chain can be shortened during installation. 5) Longer Cable/Chain available on request. 6) Additional colour finishes available on request. 7.) Dimensions do not include lamps. 8.) Products wired to UL standards will operate at 110/120v with the appropriate lampholders.