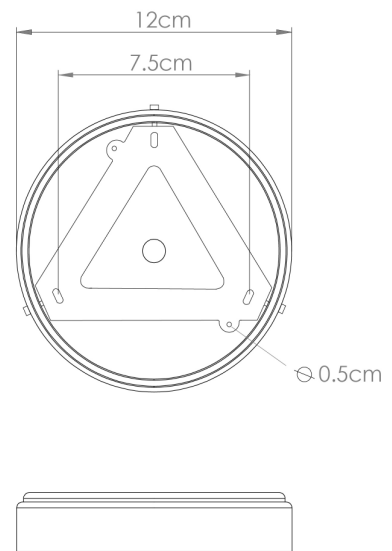


MATERIAL	Brass Steel Glass
HEIGHT	95cm 37.4"
WIDTH DIAMETER	40cm 15.75"
LENGTH PROJECTION	n/a
WEIGHT	3KG 6.61lbs
LAMPHOLDER	E14 x 3
MAX WATTAGE	40W x 3
VOLTAGE	220/240v
IP RATING	20
CLASS PROTECTION	I
SHADE	GL134
FLEX BAR CHAIN LENGT	100cm 40"
CABLE TYPE	-

Fixing Bracket MLWB17

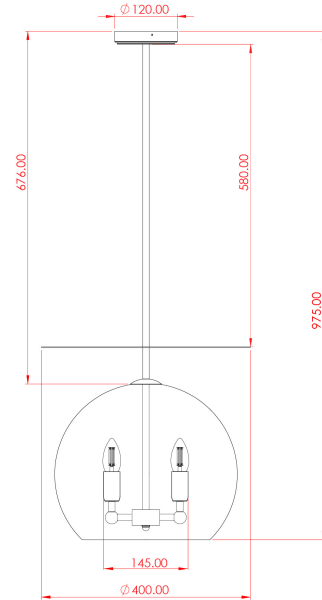


Product Notes:

1) Lamps not included with light fixture. 2) All products are individually hand crafted, therefore may differ slightly within manufacturing tolerances. 3) Please refer to: <http://www.mullanlighting.com/terms> for full list of Terms & Conditions. 4) Cable/Chain can be shortened during installation. 5) Longer Cable/Chain available on request. 6) Additional colour finishes available on request. 7.) Dimensions do not include lamps. 8.) Products wired to UL standards will operate at 110/120v with the appropriate lampholders.

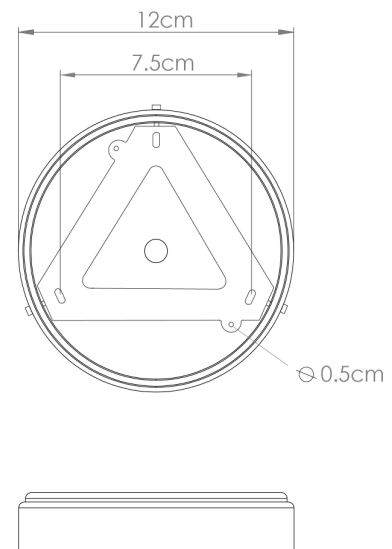
CASABLANCA Chandelier

MLF353ANTSLVPCMBK Antique Silver



MATERIAL	Brass Steel Glass
HEIGHT	95cm 37.4"
WIDTH DIAMETER	40cm 15.75"
LENGTH PROJECTION	n/a
WEIGHT	3KG 6.61lbs
LAMPHOLDER	E14 x 3
MAX WATTAGE	40W x 3
VOLTAGE	220/240v
IP RATING	20
CLASS PROTECTION	I
SHADE	GL134
FLEX BAR CHAIN LENGT	100cm 40"
CABLE TYPE	-

Fixing Bracket MLWB17

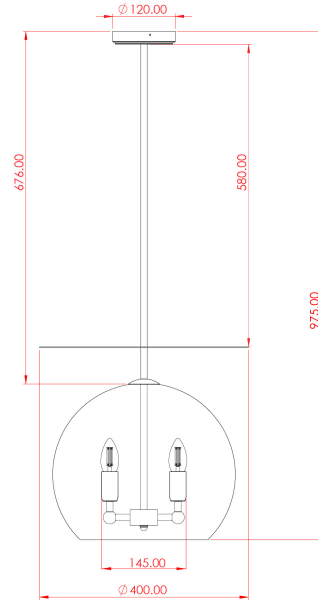


Product Notes:

1) Lamps not included with light fixture. 2) All products are individually hand crafted, therefore may differ slightly within manufacturing tolerances. 3) Please refer to: <http://www.mullanlighting.com/terms> for full list of Terms & Conditions. 4) Cable/Chain can be shortened during installation. 5) Longer Cable/Chain available on request. 6) Additional colour finishes available on request. 7.) Dimensions do not include lamps. 8.) Products wired to UL standards will operate at 110/120v with the appropriate lampholders.

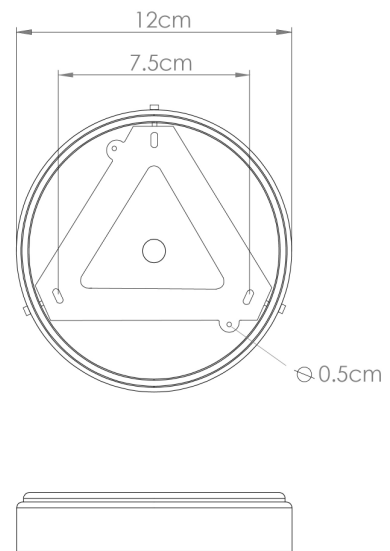
CASABLANCA Chandelier

MLF353PCMBK Matt Black



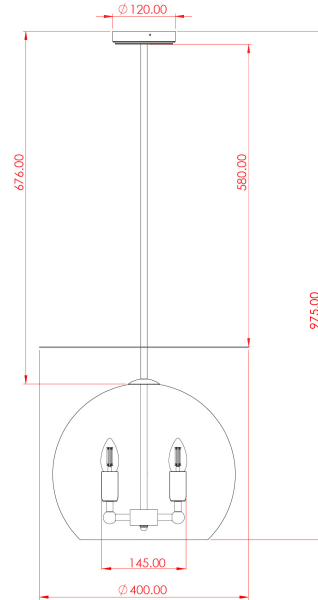
MATERIAL	Brass Steel Glass
HEIGHT	95cm 37.4"
WIDTH DIAMETER	40cm 15.75"
LENGTH PROJECTION	n/a
WEIGHT	3KG 6.61lbs
LAMPHOLDER	E14 x 3
MAX WATTAGE	40W x 3
VOLTAGE	220/240v
IP RATING	20
CLASS PROTECTION	I
SHADE	GL134
FLEX BAR CHAIN LENGT	100cm 40"
CABLE TYPE	-

Fixing Bracket MLWB17



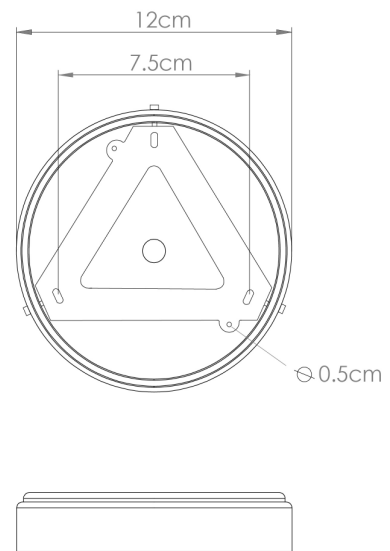
Product Notes:

1) Lamps not included with light fixture. 2) All products are individually hand crafted, therefore may differ slightly within manufacturing tolerances. 3) Please refer to: <http://www.mullanlighting.com/terms> for full list of Terms & Conditions. 4) Cable/Chain can be shortened during installation. 5) Longer Cable/Chain available on request. 6) Additional colour finishes available on request. 7.) Dimensions do not include lamps. 8.) Products wired to UL standards will operate at 110/120v with the appropriate lampholders.



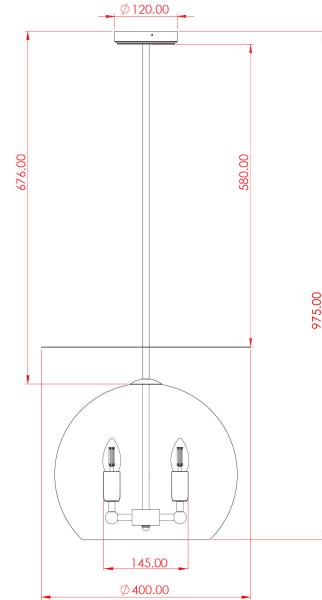
MATERIAL	Brass Steel Glass
HEIGHT	95cm 37.4"
WIDTH DIAMETER	40cm 15.75"
LENGTH PROJECTION	n/a
WEIGHT	3KG 6.61lbs
LAMPHOLDER	E14 x 3
MAX WATTAGE	40W x 3
VOLTAGE	220/240v
IP RATING	20
CLASS PROTECTION	I
SHADE	GL134
FLEX BAR CHAIN LENGT	100cm 40"
CABLE TYPE	-

Fixing Bracket MLWB17



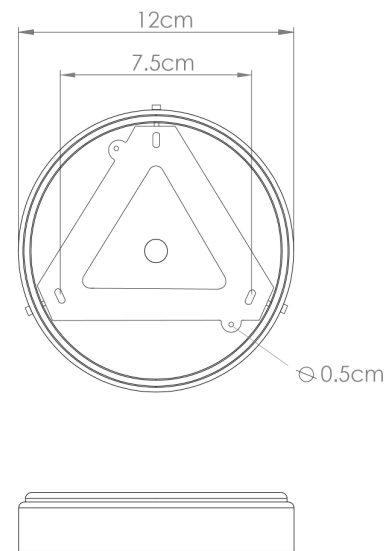
Product Notes:

1) Lamps not included with light fixture. 2) All products are individually hand crafted, therefore may differ slightly within manufacturing tolerances. 3) Please refer to: <http://www.mullanlighting.com/terms> for full list of Terms & Conditions. 4) Cable/Chain can be shortened during installation. 5) Longer Cable/Chain available on request. 6) Additional colour finishes available on request. 7.) Dimensions do not include lamps. 8.) Products wired to UL standards will operate at 110/120v with the appropriate lampholders.



MATERIAL	Brass Steel Glass
HEIGHT	95cm 37.4"
WIDTH DIAMETER	40cm 15.75"
LENGTH PROJECTION	n/a
WEIGHT	3KG 6.61lbs
LAMPHOLDER	E14 x 3
MAX WATTAGE	40W x 3
VOLTAGE	220/240v
IP RATING	20
CLASS PROTECTION	I
SHADE	GL134
FLEX BAR CHAIN LENGT	100cm 40"
CABLE TYPE	-

Fixing Bracket MLWB17



Product Notes:

1) Lamps not included with light fixture. 2) All products are individually hand crafted, therefore may differ slightly within manufacturing tolerances. 3) Please refer to: <http://www.mullanlighting.com/terms> for full list of Terms & Conditions. 4) Cable/Chain can be shortened during installation. 5) Longer Cable/Chain available on request. 6) Additional colour finishes available on request. 7) Dimensions do not include lamps. 8) Products wired to UL standards will operate at 110/120v with the appropriate lampholders.