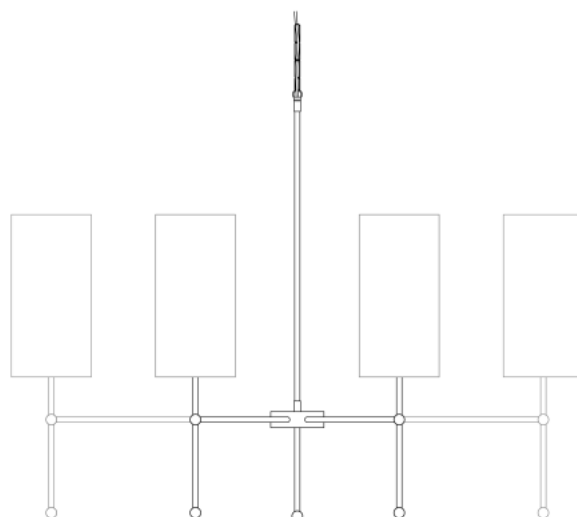


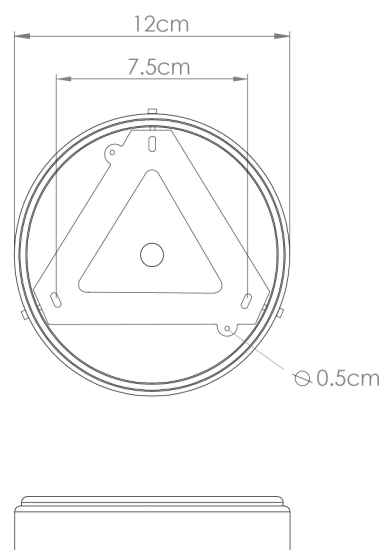
## ARIZONA Chandelier

MLF296ANTBRS Antiqu Brass



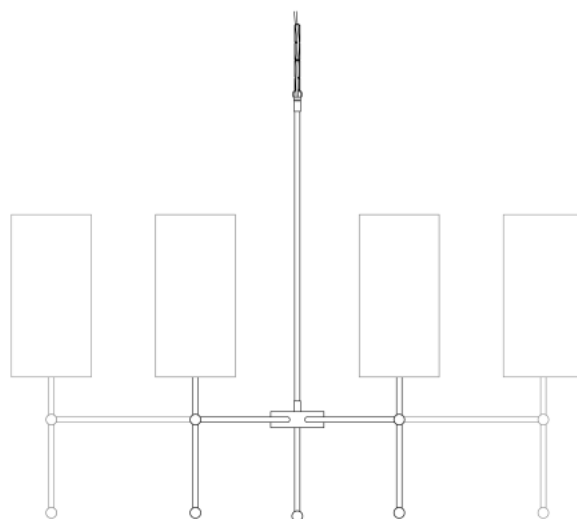
|                          |                                      |
|--------------------------|--------------------------------------|
| MATERIAL                 | Brass   Fabric                       |
| HEIGHT                   | 73cm   28.74"                        |
| WIDTH   DIAMETER         | 127.5cm   50.2"                      |
| LENGTH   PROJECTION      | n/a                                  |
| WEIGHT                   | 6.5KG   14.33lbs                     |
| LAMPHOLDER               | E27 x 8                              |
| MAX WATTAGE              | 40W x 8                              |
| VOLTAGE                  | 220/240v                             |
| IP RATING                | 20                                   |
| CLASS PROTECTION         | I                                    |
| SHADE                    | MLFS009 x 8                          |
| FLEX   BAR   CHAIN LENGT | 100cm   40"                          |
| CABLE TYPE               | MLCA036   3 Core Round   Brown   PVC |

Fixing Bracket MLWB17 | Antiqu Brass



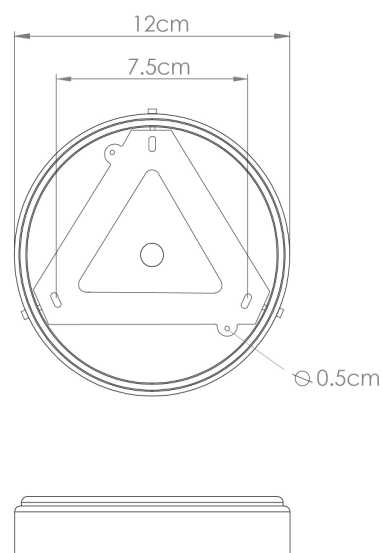
**Product Notes:**

1) Lamps not included with light fixture. 2) All products are individually hand crafted, therefore may differ slightly within manufacturing tolerances. 3) Please refer to: <http://www.mullanlighting.com/terms> for full list of Terms & Conditions. 4) Cable/Chain can be shortened during installation. 5) Longer Cable/Chain available on request. 6) Additional colour finishes available on request. 7.) Dimensions do not include lamps. 8.) Products wired to UL standards will operate at 110/120v with the appropriate lampholders.



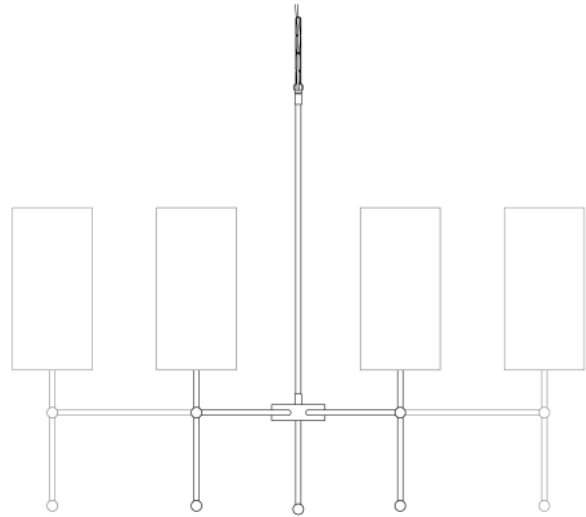
|                          |                                      |
|--------------------------|--------------------------------------|
| MATERIAL                 | Brass   Fabric                       |
| HEIGHT                   | 73cm   28.74"                        |
| WIDTH   DIAMETER         | 127.5cm   50.2"                      |
| LENGTH   PROJECTION      | n/a                                  |
| WEIGHT                   | 6.5KG   14.33lbs                     |
| LAMPHOLDER               | E27 x 8                              |
| MAX WATTAGE              | 40W x 8                              |
| VOLTAGE                  | 220/240v                             |
| IP RATING                | 20                                   |
| CLASS PROTECTION         | I                                    |
| SHADE                    | MLFS009 x 8                          |
| FLEX   BAR   CHAIN LENGT | 100cm   40"                          |
| CABLE TYPE               | MLCA013   3 Core Round   Clear   PVC |

Fixing Bracket MLWB17 | Antique Silver



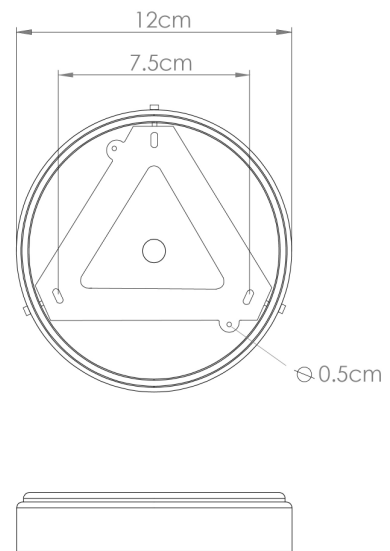
Product Notes:

1) Lamps not included with light fixture. 2) All products are individually hand crafted, therefore may differ slightly within manufacturing tolerances. 3) Please refer to: <http://www.mullanlighting.com/terms> for full list of Terms & Conditions. 4) Cable/Chain can be shortened during installation. 5) Longer Cable/Chain available on request. 6) Additional colour finishes available on request. 7.) Dimensions do not include lamps. 8.) Products wired to UL standards will operate at 110/120v with the appropriate lampholders.



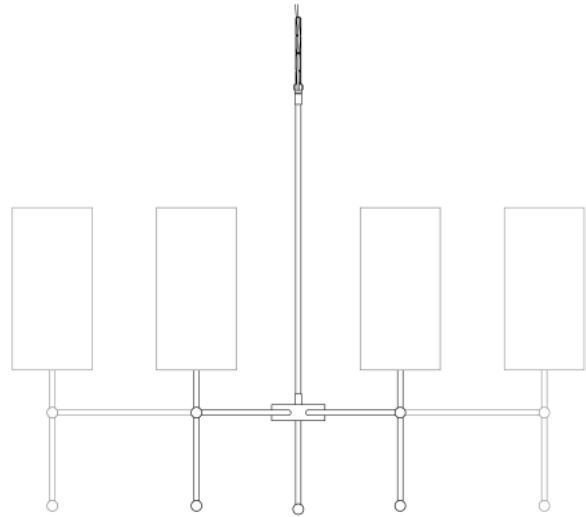
|                          |                                     |
|--------------------------|-------------------------------------|
| MATERIAL                 | Brass   Fabric                      |
| HEIGHT                   | 73cm   28.74"                       |
| WIDTH   DIAMETER         | 127.5cm   50.2"                     |
| LENGTH   PROJECTION      | n/a                                 |
| WEIGHT                   | 6.5KG   14.33lbs                    |
| LAMPHOLDER               | E27 x 8                             |
| MAX WATTAGE              | 40W x 8                             |
| VOLTAGE                  | 220/240v                            |
| IP RATING                | 20                                  |
| CLASS PROTECTION         | I                                   |
| SHADE                    | MLFS009 x 8                         |
| FLEX   BAR   CHAIN LENGT | 100cm   40"                         |
| CABLE TYPE               | MLCA012   3 Core Round   Gold   PVC |

Fixing Bracket MLWB17 | Polished Brass



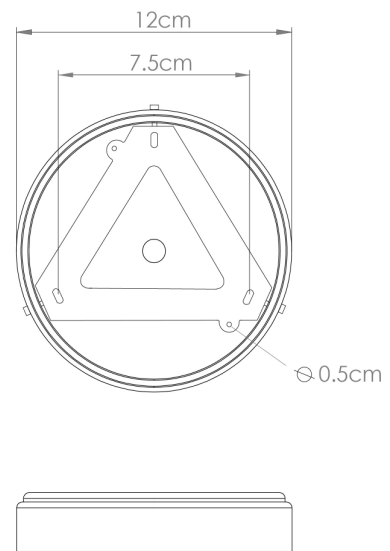
Product Notes:

1) Lamps not included with light fixture. 2) All products are individually hand crafted, therefore may differ slightly within manufacturing tolerances. 3) Please refer to: <http://www.mullanlighting.com/terms> for full list of Terms & Conditions. 4) Cable/Chain can be shortened during installation. 5) Longer Cable/Chain available on request. 6) Additional colour finishes available on request. 7.) Dimensions do not include lamps. 8.) Products wired to UL standards will operate at 110/120v with the appropriate lampholders.



|                          |                                     |
|--------------------------|-------------------------------------|
| MATERIAL                 | Brass   Fabric                      |
| HEIGHT                   | 73cm   28.74"                       |
| WIDTH   DIAMETER         | 127.5cm   50.2"                     |
| LENGTH   PROJECTION      | n/a                                 |
| WEIGHT                   | 6.5KG   14.33lbs                    |
| LAMPHOLDER               | E27 x 8                             |
| MAX WATTAGE              | 40W x 8                             |
| VOLTAGE                  | 220/240v                            |
| IP RATING                | 20                                  |
| CLASS PROTECTION         | I                                   |
| SHADE                    | MLFS009 x 8                         |
| FLEX   BAR   CHAIN LENGT | 100cm   40"                         |
| CABLE TYPE               | MLCA012   3 Core Round   Gold   PVC |

Fixing Bracket MLWB17 | Satin Brass



Product Notes:

1) Lamps not included with light fixture. 2) All products are individually hand crafted, therefore may differ slightly within manufacturing tolerances. 3) Please refer to: <http://www.mullanlighting.com/terms> for full list of Terms & Conditions. 4) Cable/Chain can be shortened during installation. 5) Longer Cable/Chain available on request. 6) Additional colour finishes available on request. 7.) Dimensions do not include lamps. 8.) Products wired to UL standards will operate at 110/120v with the appropriate lampholders.