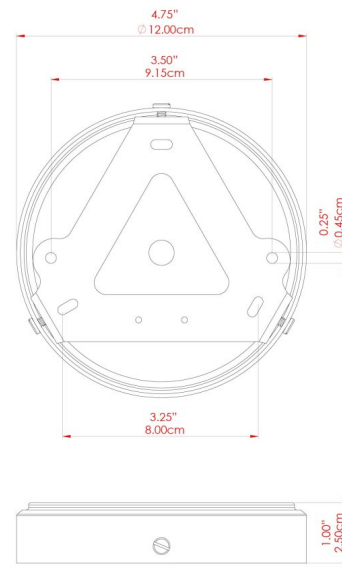


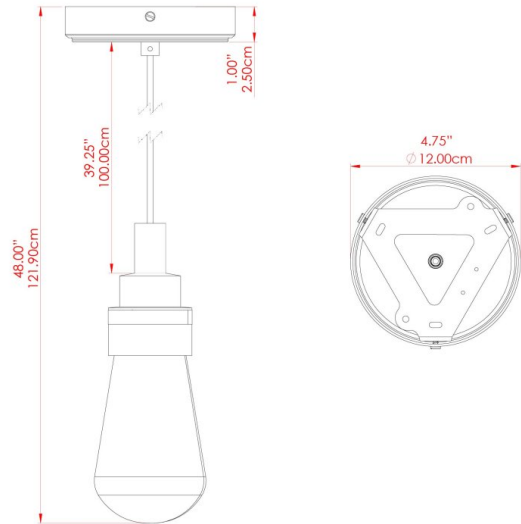
MATERIAL	Brass Glass
HEIGHT	8.75"
WIDTH DIAMETER	3.25"
LENGTH PROJECTION	n/a
WEIGHT	0.85 kg 1.8 lbs
LAMPHOLDER	E26
MAX WATTAGE	6.5W
VOLTAGE	110/120v
ENVIRONMENTAL RATING	Wet Location (IP65)
CLASS PROTECTION	Class II
SHADE	GLWP01
FLEX BAR CHAIN LENGTH	40"
CABLE TYPE	MLOCA001 Brown Fabric Braided Outdoor Rubber Cable 2 Core Round

FIXING BRACKET: MLROSE39 | Antique Brass



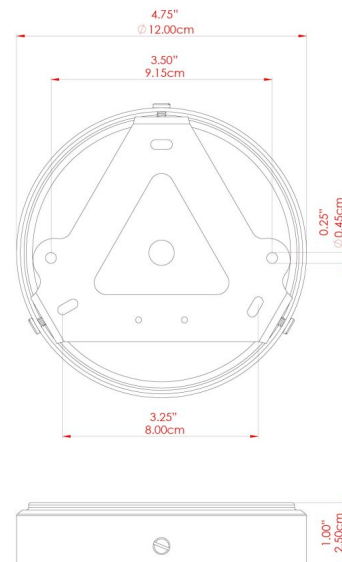
Product Notes:
 1) Bulbs not included. 2) Dimensions do not include bulbs. 3) All products are individually made-to-order and therefore may differ slightly within manufacturing tolerances. 4) Cable / chain can be shortened during installation. Longer cable / chain lengths available on request. 5) Additional color finishes may be available on request. 6) Twisted cable is not available for UL wired products. Round cable in black or brown only is supplied instead. 7) Refer to our website for a full list of terms and conditions.





MATERIAL	Brass Glass
HEIGHT	8.75"
WIDTH DIAMETER	3.25"
LENGTH PROJECTION	n/a
WEIGHT	0.85 kg 1.8 lbs
LAMPHOLDER	E26
MAX WATTAGE	6.5W
VOLTAGE	110/120v
ENVIRONMENTAL RATING	Wet Location (IP65)
CLASS PROTECTION	Class II
SHADE	GLWP02
FLEX BAR CHAIN LENGTH	40"
CABLE TYPE	MLOCA001 Brown Fabric Braided Outdoor Rubber Cable 2 Core Round

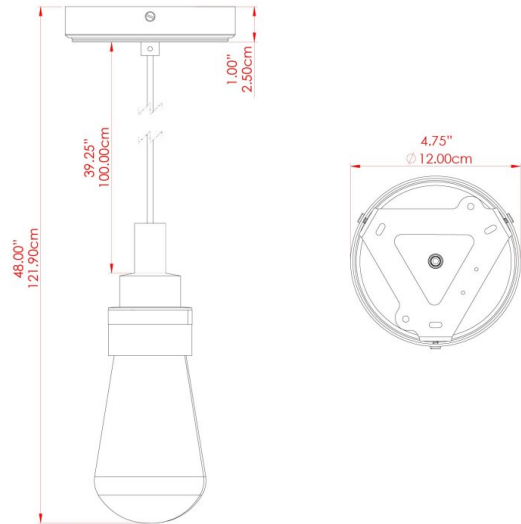
FIXING BRACKET: MLROSE39 | Satin Brass



Product Notes:

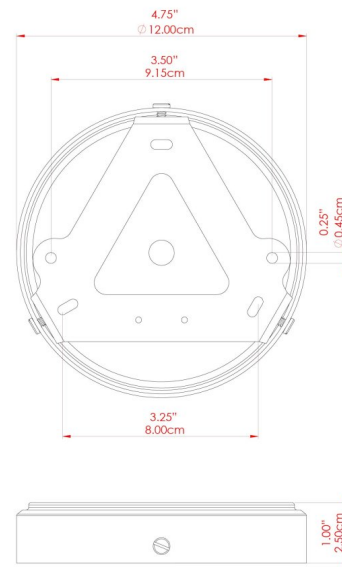
1) Bulbs not included. 2) Dimensions do not include bulbs. 3) All products are individually made-to-order and therefore may differ slightly within manufacturing tolerances. 4) Cable / chain can be shortened during installation. Longer cable / chain lengths available on request. 5) Additional color finishes may be available on request. 6) Twisted cable is not available for UL wired products. Round cable in black or brown only is supplied instead. 7) Refer to our website for a full list of terms and conditions.





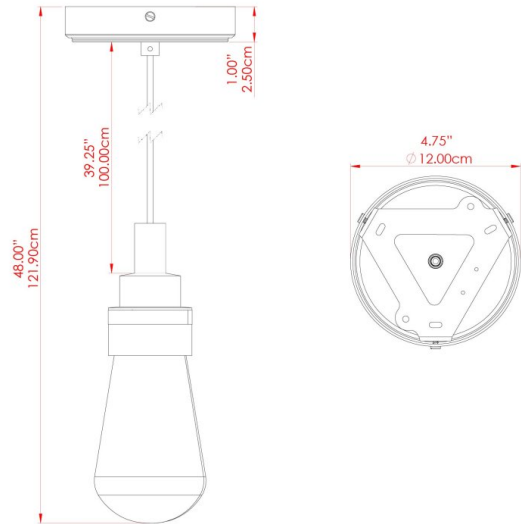
MATERIAL	Brass Glass
HEIGHT	8.75"
WIDTH DIAMETER	3.25"
LENGTH PROJECTION	n/a
WEIGHT	0.85 kg 1.8 lbs
LAMPHOLDER	E26
MAX WATTAGE	6.5W
VOLTAGE	110/120v
ENVIRONMENTAL RATING	Wet Location (IP65)
CLASS PROTECTION	Class II
SHADE	GLWP01
FLEX BAR CHAIN LENGTH	40"
CABLE TYPE	MLOCA002 Black Fabric Braided Outdoor Rubber Cable 2 Core Round

FIXING BRACKET: MLROSE39 | Antique Silver



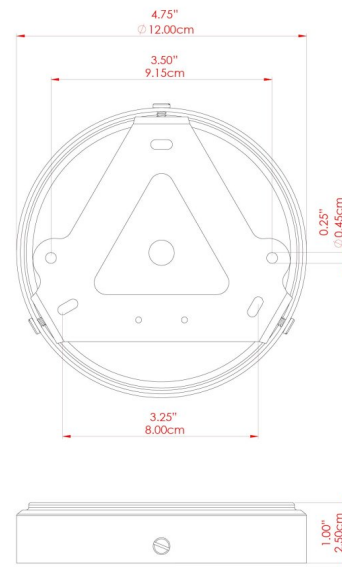
Product Notes:
 1) Bulbs not included. 2) Dimensions do not include bulbs. 3) All products are individually made-to-order and therefore may differ slightly within manufacturing tolerances. 4) Cable / chain can be shortened during installation. Longer cable / chain lengths available on request. 5) Additional color finishes may be available on request. 6) Twisted cable is not available for UL wired products. Round cable in black or brown only is supplied instead. 7) Refer to our website for a full list of terms and conditions.





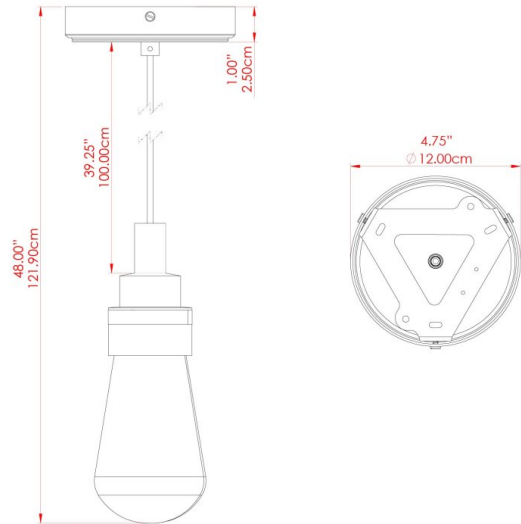
MATERIAL	Brass Glass
HEIGHT	8.75"
WIDTH DIAMETER	3.25"
LENGTH PROJECTION	n/a
WEIGHT	0.85 kg 1.8 lbs
LAMPHOLDER	E26
MAX WATTAGE	6.5W
VOLTAGE	110/120v
ENVIRONMENTAL RATING	Wet Location (IP65)
CLASS PROTECTION	Class II
SHADE	GLWP02
FLEX BAR CHAIN LENGTH	40"
CABLE TYPE	MLOCA002 Black Fabric Braided Outdoor Rubber Cable 2 Core Round

FIXING BRACKET: MLROSE39 | Satin Brass



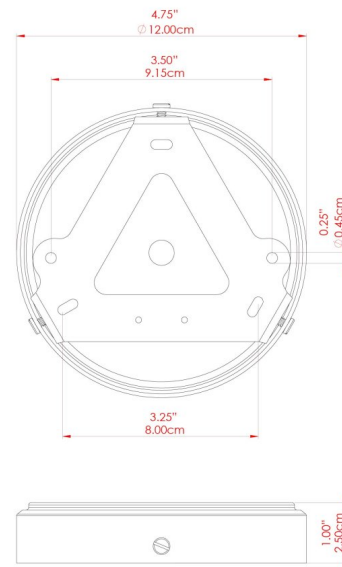
Product Notes:
 1) Bulbs not included. 2) Dimensions do not include bulbs. 3) All products are individually made-to-order and therefore may differ slightly within manufacturing tolerances. 4) Cable / chain can be shortened during installation. Longer cable / chain lengths available on request. 5) Additional color finishes may be available on request. 6) Twisted cable is not available for UL wired products. Round cable in black or brown only is supplied instead. 7) Refer to our website for a full list of terms and conditions.





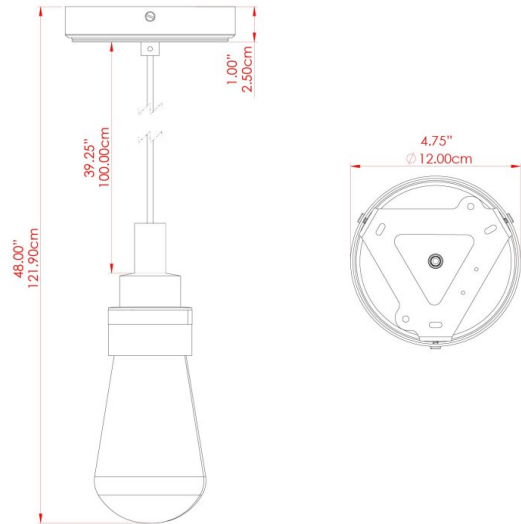
MATERIAL	Brass Glass
HEIGHT	8.75"
WIDTH DIAMETER	3.25"
LENGTH PROJECTION	n/a
WEIGHT	0.85 kg 1.8 lbs
LAMPHOLDER	E26
MAX WATTAGE	6.5W
VOLTAGE	110/120v
ENVIRONMENTAL RATING	Wet Location (IP65)
CLASS PROTECTION	Class II
SHADE	GLWP01
FLEX BAR CHAIN LENGTH	40"
CABLE TYPE	MLOCA002 Black Fabric Braided Outdoor Rubber Cable 2 Core Round

FIXING BRACKET: MLROSE39 | Natural Brass



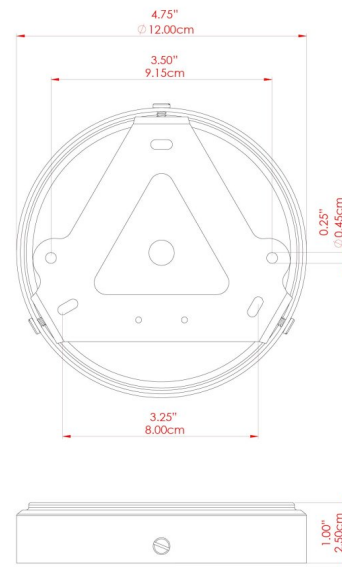
Product Notes:
 1) Bulbs not included. 2) Dimensions do not include bulbs. 3) All products are individually made-to-order and therefore may differ slightly within manufacturing tolerances. 4) Cable / chain can be shortened during installation. Longer cable / chain lengths available on request. 5) Additional color finishes may be available on request. 6) Twisted cable is not available for UL wired products. Round cable in black or brown only is supplied instead. 7) Refer to our website for a full list of terms and conditions.





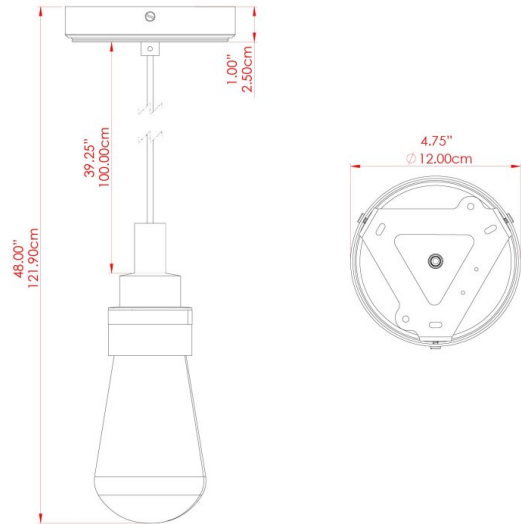
MATERIAL	Brass Glass
HEIGHT	8.75"
WIDTH DIAMETER	3.25"
LENGTH PROJECTION	n/a
WEIGHT	0.85 kg 1.8 lbs
LAMPHOLDER	E26
MAX WATTAGE	6.5W
VOLTAGE	110/120v
ENVIRONMENTAL RATING	Wet Location (IP65)
CLASS PROTECTION	Class II
SHADE	GLWP02
FLEX BAR CHAIN LENGTH	40"
CABLE TYPE	MLOCA002 Black Fabric Braided Outdoor Rubber Cable 2 Core Round

FIXING BRACKET: MLROSE39 | Natural Brass



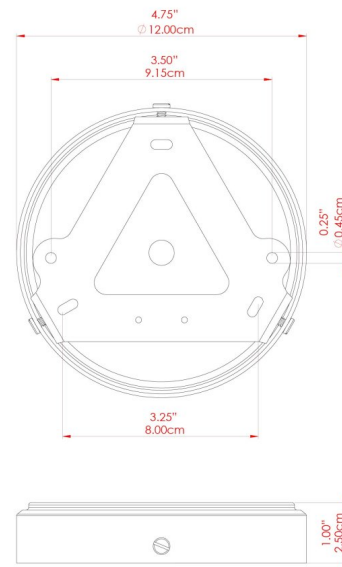
Product Notes:
 1) Bulbs not included. 2) Dimensions do not include bulbs. 3) All products are individually made-to-order and therefore may differ slightly within manufacturing tolerances. 4) Cable / chain can be shortened during installation. Longer cable / chain lengths available on request. 5) Additional color finishes may be available on request. 6) Twisted cable is not available for UL wired products. Round cable in black or brown only is supplied instead. 7) Refer to our website for a full list of terms and conditions.





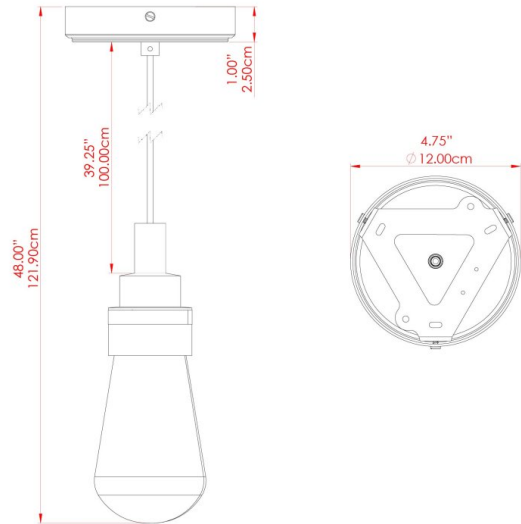
MATERIAL	Brass Glass
HEIGHT	8.75"
WIDTH DIAMETER	3.25"
LENGTH PROJECTION	n/a
WEIGHT	0.85 kg 1.8 lbs
LAMPHOLDER	E26
MAX WATTAGE	6.5W
VOLTAGE	110/120v
ENVIRONMENTAL RATING	Wet Location (IP65)
CLASS PROTECTION	Class II
SHADE	GLWP01
FLEX BAR CHAIN LENGTH	40"
CABLE TYPE	MLOCA002 Black Fabric Braided Outdoor Rubber Cable 2 Core Round

FIXING BRACKET: MLROSE39 | Matt Black



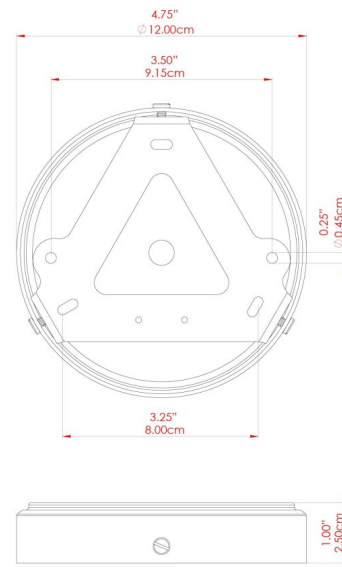
Product Notes:
 1) Bulbs not included. 2) Dimensions do not include bulbs. 3) All products are individually made-to-order and therefore may differ slightly within manufacturing tolerances. 4) Cable / chain can be shortened during installation. Longer cable / chain lengths available on request. 5) Additional color finishes may be available on request. 6) Twisted cable is not available for UL wired products. Round cable in black or brown only is supplied instead. 7) Refer to our website for a full list of terms and conditions.





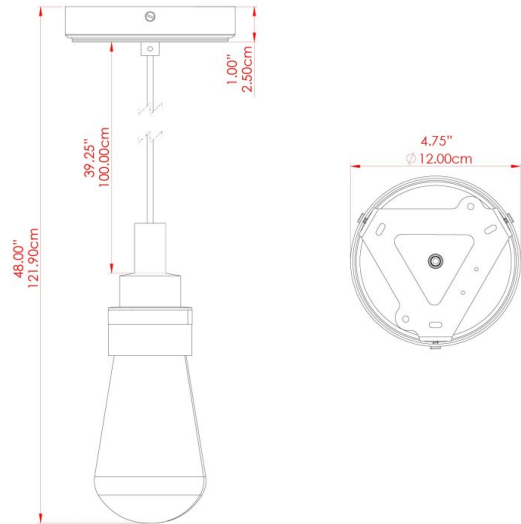
MATERIAL	Brass Glass
HEIGHT	8.75"
WIDTH DIAMETER	3.25"
LENGTH PROJECTION	n/a
WEIGHT	0.85 kg 1.8 lbs
LAMPHOLDER	E26
MAX WATTAGE	6.5W
VOLTAGE	110/120v
ENVIRONMENTAL RATING	Wet Location (IP65)
CLASS PROTECTION	Class II
SHADE	GLWP02
FLEX BAR CHAIN LENGTH	40"
CABLE TYPE	MLOCA002 Black Fabric Braided Outdoor Rubber Cable 2 Core Round

FIXING BRACKET: MLROSE39 | Matt Black



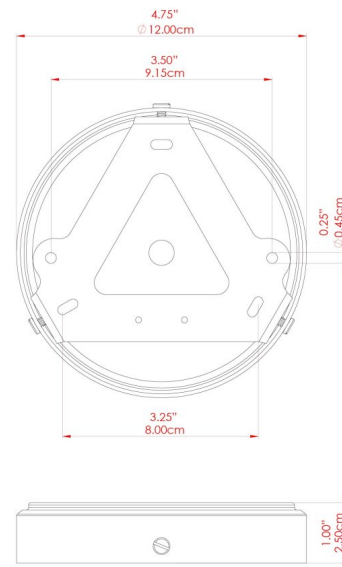
Product Notes:
 1) Bulbs not included. 2) Dimensions do not include bulbs. 3) All products are individually made-to-order and therefore may differ slightly within manufacturing tolerances. 4) Cable / chain can be shortened during installation. Longer cable / chain lengths available on request. 5) Additional color finishes may be available on request. 6) Twisted cable is not available for UL wired products. Round cable in black or brown only is supplied instead. 7) Refer to our website for a full list of terms and conditions.





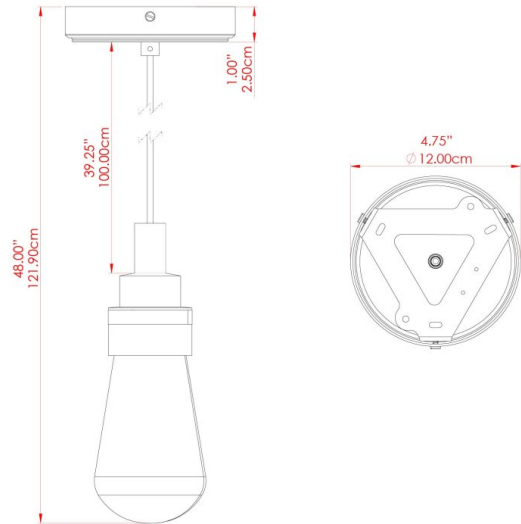
MATERIAL	Brass Glass
HEIGHT	8.75"
WIDTH DIAMETER	3.25"
LENGTH PROJECTION	n/a
WEIGHT	0.85 kg 1.8 lbs
LAMPHOLDER	E26
MAX WATTAGE	6.5W
VOLTAGE	110/120v
ENVIRONMENTAL RATING	Wet Location (IP65)
CLASS PROTECTION	Class II
SHADE	GLWP01
FLEX BAR CHAIN LENGTH	40"
CABLE TYPE	MLOCA002 Black Fabric Braided Outdoor Rubber Cable 2 Core Round

FIXING BRACKET: MLROSE39 | White



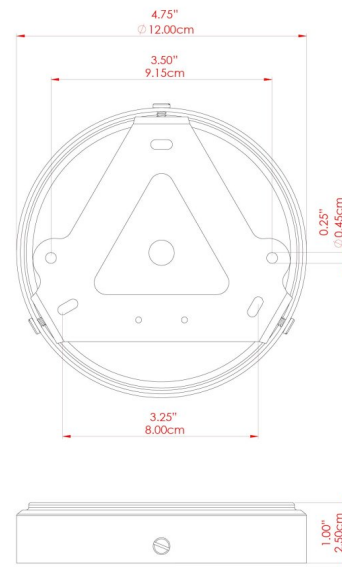
Product Notes:
 1) Bulbs not included. 2) Dimensions do not include bulbs. 3) All products are individually made-to-order and therefore may differ slightly within manufacturing tolerances. 4) Cable / chain can be shortened during installation. Longer cable / chain lengths available on request. 5) Additional color finishes may be available on request. 6) Twisted cable is not available for UL wired products. Round cable in black or brown only is supplied instead. 7) Refer to our website for a full list of terms and conditions.





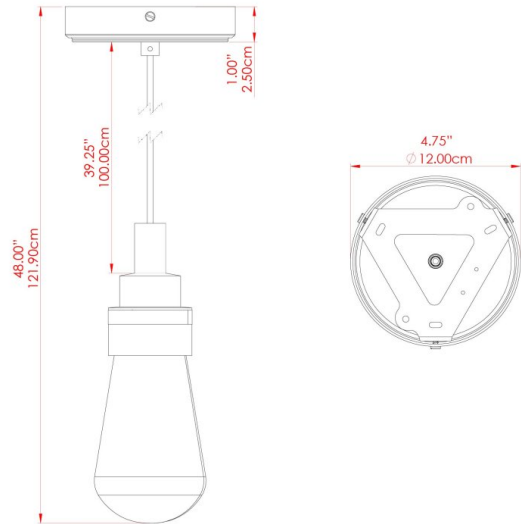
MATERIAL	Brass Glass
HEIGHT	8.75"
WIDTH DIAMETER	3.25"
LENGTH PROJECTION	n/a
WEIGHT	0.85 kg 1.8 lbs
LAMPHOLDER	E26
MAX WATTAGE	6.5W
VOLTAGE	110/120v
ENVIRONMENTAL RATING	Wet Location (IP65)
CLASS PROTECTION	Class II
SHADE	GLWP02
FLEX BAR CHAIN LENGTH	40"
CABLE TYPE	MLOCA002 Black Fabric Braided Outdoor Rubber Cable 2 Core Round

FIXING BRACKET: MLROSE39 | White



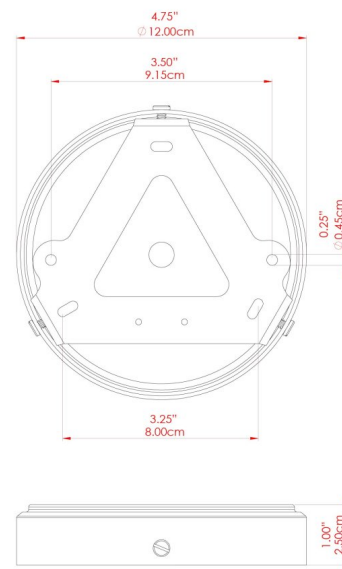
Product Notes:
 1) Bulbs not included. 2) Dimensions do not include bulbs. 3) All products are individually made-to-order and therefore may differ slightly within manufacturing tolerances. 4) Cable / chain can be shortened during installation. Longer cable / chain lengths available on request. 5) Additional color finishes may be available on request. 6) Twisted cable is not available for UL wired products. Round cable in black or brown only is supplied instead. 7) Refer to our website for a full list of terms and conditions.





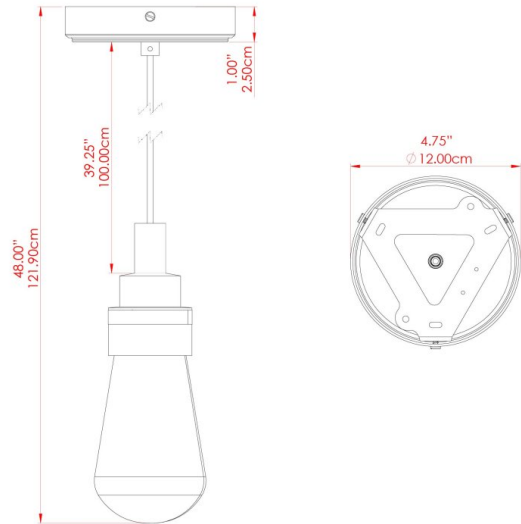
MATERIAL	Brass Glass
HEIGHT	8.75"
WIDTH DIAMETER	3.25"
LENGTH PROJECTION	n/a
WEIGHT	0.85 kg 1.8 lbs
LAMPHOLDER	E26
MAX WATTAGE	6.5W
VOLTAGE	110/120v
ENVIRONMENTAL RATING	Wet Location (IP65)
CLASS PROTECTION	Class II
SHADE	GLWP01
FLEX BAR CHAIN LENGTH	40"
CABLE TYPE	MLOCA002 Black Fabric Braided Outdoor Rubber Cable 2 Core Round

FIXING BRACKET: MLROSE39 | Polished Brass



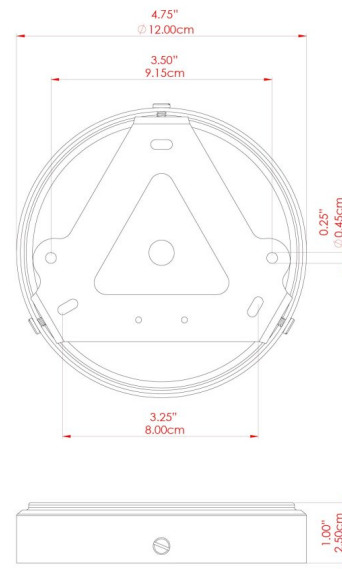
Product Notes:
 1) Bulbs not included. 2) Dimensions do not include bulbs. 3) All products are individually made-to-order and therefore may differ slightly within manufacturing tolerances. 4) Cable / chain can be shortened during installation. Longer cable / chain lengths available on request. 5) Additional color finishes may be available on request. 6) Twisted cable is not available for UL wired products. Round cable in black or brown only is supplied instead. 7) Refer to our website for a full list of terms and conditions.





MATERIAL	Brass Glass
HEIGHT	8.75"
WIDTH DIAMETER	3.25"
LENGTH PROJECTION	n/a
WEIGHT	0.85 kg 1.8 lbs
LAMPHOLDER	E26
MAX WATTAGE	6.5W
VOLTAGE	110/120v
ENVIRONMENTAL RATING	Wet Location (IP65)
CLASS PROTECTION	Class II
SHADE	GLWP02
FLEX BAR CHAIN LENGTH	40"
CABLE TYPE	MLOCA002 Black Fabric Braided Outdoor Rubber Cable 2 Core Round

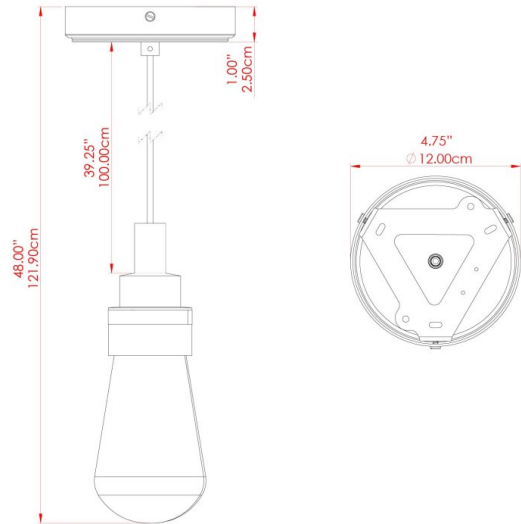
FIXING BRACKET: MLROSE39 | Polished Brass



Product Notes:

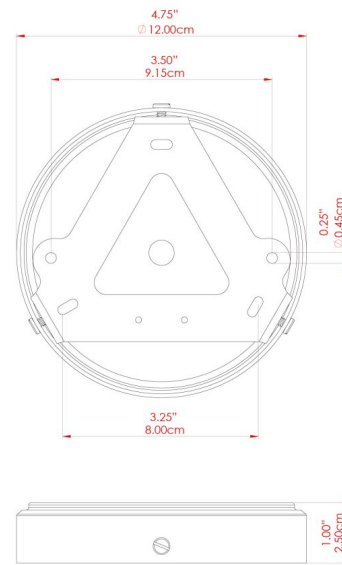
1) Bulbs not included. 2) Dimensions do not include bulbs. 3) All products are individually made-to-order and therefore may differ slightly within manufacturing tolerances. 4) Cable / chain can be shortened during installation. Longer cable / chain lengths available on request. 5) Additional color finishes may be available on request. 6) Twisted cable is not available for UL wired products. Round cable in black or brown only is supplied instead. 7) Refer to our website for a full list of terms and conditions.





MATERIAL	Brass Glass
HEIGHT	8.75"
WIDTH DIAMETER	3.25"
LENGTH PROJECTION	n/a
WEIGHT	0.85 kg 1.8 lbs
LAMPHOLDER	E26
MAX WATTAGE	6.5W
VOLTAGE	110/120v
ENVIRONMENTAL RATING	Wet Location (IP65)
CLASS PROTECTION	Class II
SHADE	GLWP01
FLEX BAR CHAIN LENGTH	40"
CABLE TYPE	MLOCA002 Black Fabric Braided Outdoor Rubber Cable 2 Core Round

FIXING BRACKET: MLROSE39 | Polished Chrome



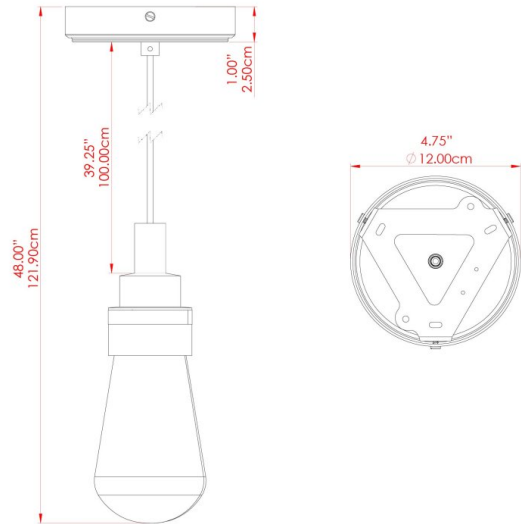
Product Notes:
 1) Bulbs not included. 2) Dimensions do not include bulbs. 3) All products are individually made-to-order and therefore may differ slightly within manufacturing tolerances. 4) Cable / chain can be shortened during installation. Longer cable / chain lengths available on request. 5) Additional color finishes may be available on request. 6) Twisted cable is not available for UL wired products. Round cable in black or brown only is supplied instead. 7) Refer to our website for a full list of terms and conditions.





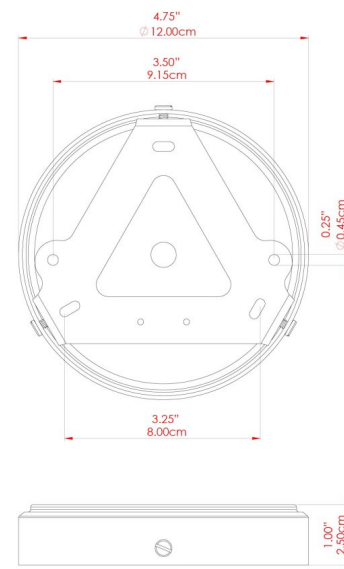
BO Bathroom Pendant

MLBP009POLCHROP Polished Chrome



MATERIAL	Brass Glass
HEIGHT	8.75"
WIDTH DIAMETER	3.25"
LENGTH PROJECTION	n/a
WEIGHT	0.85 kg 1.8 lbs
LAMPHOLDER	E26
MAX WATTAGE	6.5W
VOLTAGE	110/120v
ENVIRONMENTAL RATING	Wet Location (IP65)
CLASS PROTECTION	Class II
SHADE	GLWP02
FLEX BAR CHAIN LENGTH	40"
CABLE TYPE	MLOCA002 Black Fabric Braided Outdoor Rubber Cable 2 Core Round

FIXING BRACKET: MLROSE39 | Polished Chrome

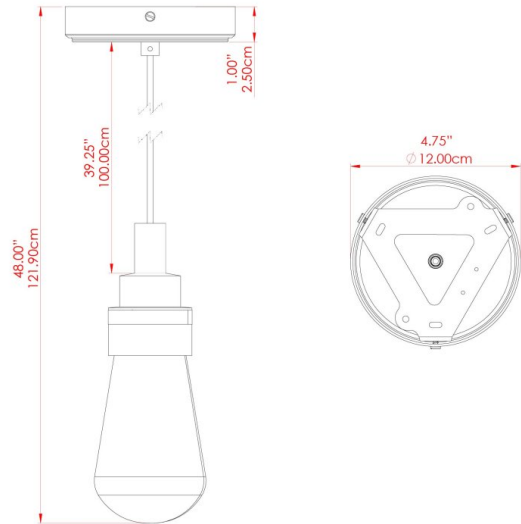


WWW.MULLANLIGHTING.COM

Product Notes:

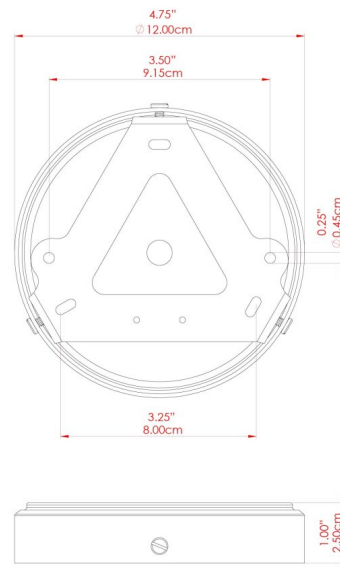
1) Bulbs not included. 2) Dimensions do not include bulbs. 3) All products are individually made-to-order and therefore may differ slightly within manufacturing tolerances. 4) Cable / chain can be shortened during installation. Longer cable / chain lengths available on request. 5) Additional color finishes may be available on request. 6) Twisted cable is not available for UL wired products. Round cable in black or brown only is supplied instead. 7) Refer to our website for a full list of terms and conditions.





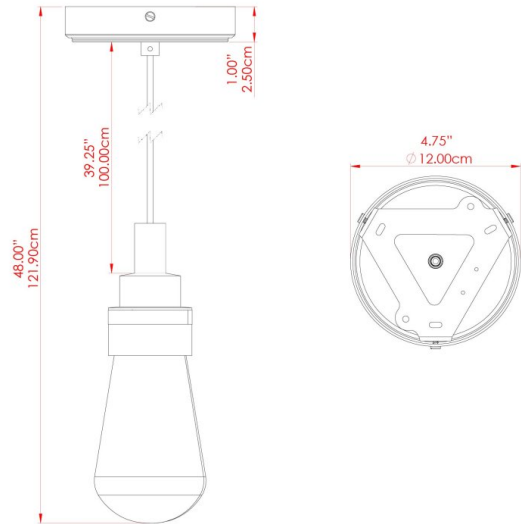
MATERIAL	Brass Glass
HEIGHT	8.75"
WIDTH DIAMETER	3.25"
LENGTH PROJECTION	n/a
WEIGHT	0.85 kg 1.8 lbs
LAMPHOLDER	E26
MAX WATTAGE	6.5W
VOLTAGE	110/120v
ENVIRONMENTAL RATING	Wet Location (IP65)
CLASS PROTECTION	Class II
SHADE	GLWP01
FLEX BAR CHAIN LENGTH	40"
CABLE TYPE	MLOCA002 Black Fabric Braided Outdoor Rubber Cable 2 Core Round

FIXING BRACKET: MLROSE39 | Satin Brass



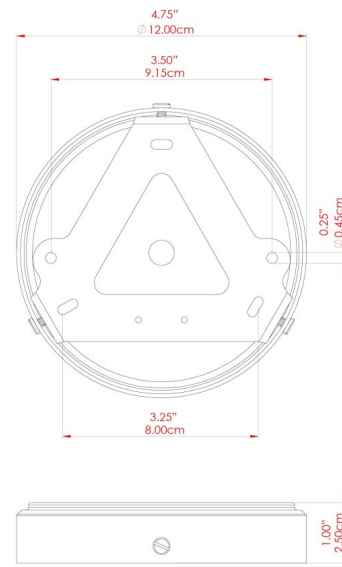
Product Notes:
 1) Bulbs not included. 2) Dimensions do not include bulbs. 3) All products are individually made-to-order and therefore may differ slightly within manufacturing tolerances. 4) Cable / chain can be shortened during installation. Longer cable / chain lengths available on request. 5) Additional color finishes may be available on request. 6) Twisted cable is not available for UL wired products. Round cable in black or brown only is supplied instead. 7) Refer to our website for a full list of terms and conditions.





MATERIAL	Brass Glass
HEIGHT	8.75"
WIDTH DIAMETER	3.25"
LENGTH PROJECTION	n/a
WEIGHT	0.85 kg 1.8 lbs
LAMPHOLDER	E26
MAX WATTAGE	6.5W
VOLTAGE	110/120v
ENVIRONMENTAL RATING	Wet Location (IP65)
CLASS PROTECTION	Class II
SHADE	GLWP02
FLEX BAR CHAIN LENGTH	40"
CABLE TYPE	MLOCA002 Black Fabric Braided Outdoor Rubber Cable 2 Core Round

FIXING BRACKET: MLROSE39 | Polished Brass



Product Notes:
 1) Bulbs not included. 2) Dimensions do not include bulbs. 3) All products are individually made-to-order and therefore may differ slightly within manufacturing tolerances. 4) Cable / chain can be shortened during installation. Longer cable / chain lengths available on request. 5) Additional color finishes may be available on request. 6) Twisted cable is not available for UL wired products. Round cable in black or brown only is supplied instead. 7) Refer to our website for a full list of terms and conditions.

