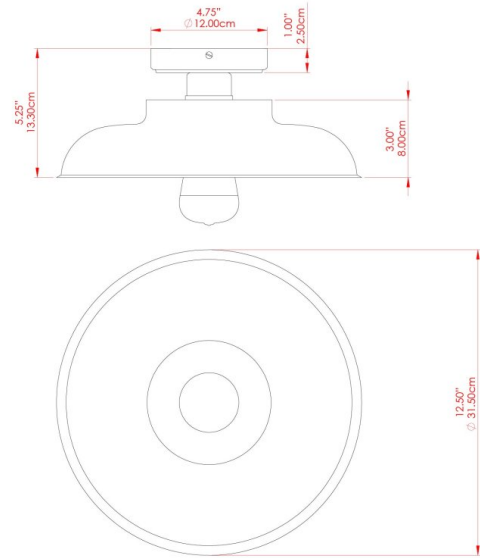


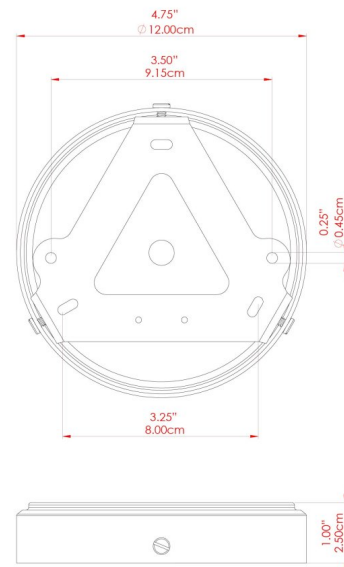
# TELAL Ceiling Light

## MLCF31ANTBRS Antique Brass



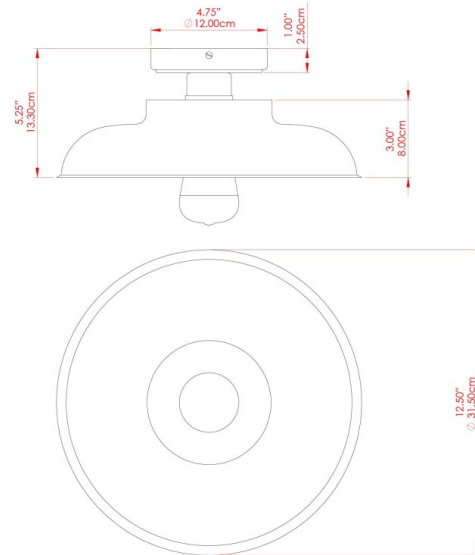
MATERIAL	Brass
HEIGHT	5.5"
WIDTH   DIAMETER	11.75"
LENGTH   PROJECTION	n/a
WEIGHT	0.72 kg   1.5 lbs
LAMPHOLDER	E26
MAX WATTAGE	60W
VOLTAGE	110/120v
ENVIRONMENTAL RATING	Dry Location (IP20)
CLASS PROTECTION	Class I
SHADE	-
FLEX   BAR   CHAIN LENGTH	n/a
CABLE TYPE	

### FIXING BRACKET: MLROSE39 | Antique Brass



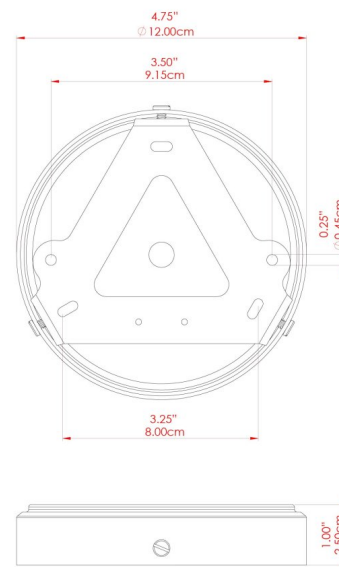
# TELAL Ceiling Light

## MLCF31ANTSLV Antique Silver



MATERIAL	Brass
HEIGHT	5.5"
WIDTH   DIAMETER	11.75"
LENGTH   PROJECTION	n/a
WEIGHT	0.72 kg   1.5 lbs
LAMPHOLDER	E26
MAX WATTAGE	60W
VOLTAGE	110/120v
ENVIRONMENTAL RATING	Dry Location (IP20)
CLASS PROTECTION	Class I
SHADE	-
FLEX   BAR   CHAIN LENGTH	n/a
CABLE TYPE	

### FIXING BRACKET: MLROSE39 | Antique Silver



WWW.MULLANLIGHTING.COM

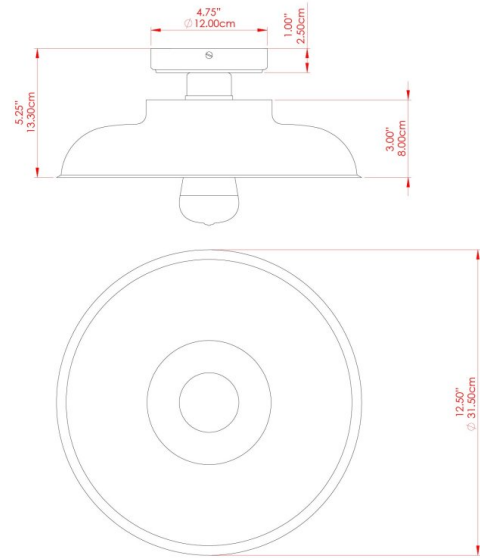
#### Product Notes:

1) Bulbs not included. 2) Dimensions do not include bulbs. 3) All products are individually made-to-order and therefore may differ slightly within manufacturing tolerances. 4) Cable / chain can be shortened during installation. Longer cable / chain lengths available on request. 5) Additional color finishes may be available on request. 6) Twisted cable is not available for UL wired products. Round cable in black or brown only is supplied instead. 7) Refer to our website for a full list of terms and conditions.



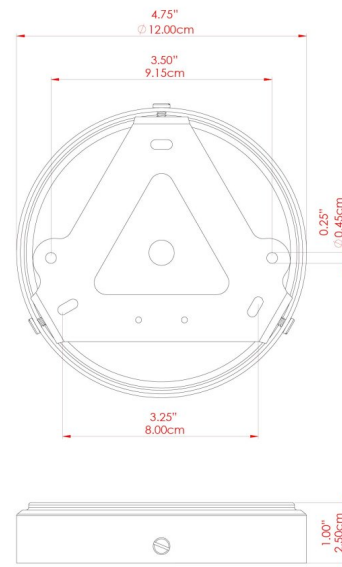
# TELAL Ceiling Light

MLCF31PCMBK Matt Black



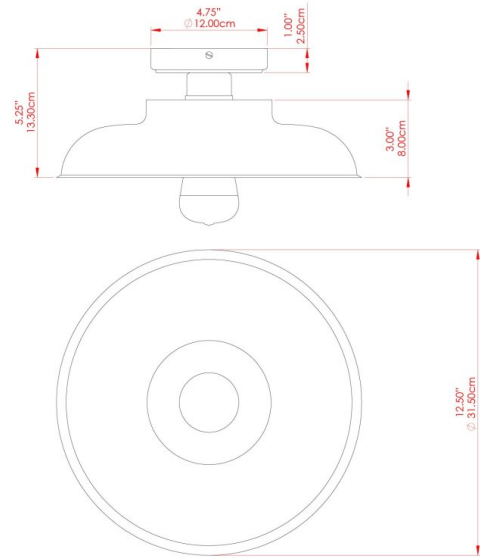
MATERIAL	Brass
HEIGHT	5.5"
WIDTH   DIAMETER	11.75"
LENGTH   PROJECTION	n/a
WEIGHT	0.72 kg   1.5 lbs
LAMPHOLDER	E26
MAX WATTAGE	60W
VOLTAGE	110/120v
ENVIRONMENTAL RATING	Dry Location (IP20)
CLASS PROTECTION	Class I
SHADE	
FLEX   BAR   CHAIN LENGTH	n/a
CABLE TYPE	

## FIXING BRACKET: MLROSE39 | Matte Black



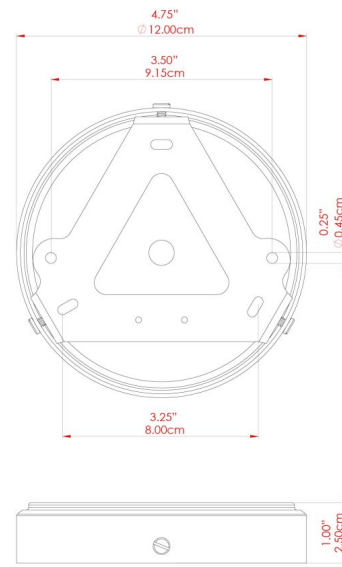
# TELAL Ceiling Light

MLCF31POLBRS Polished Brass



MATERIAL	Brass
HEIGHT	5.5"
WIDTH   DIAMETER	11.75"
LENGTH   PROJECTION	n/a
WEIGHT	0.72 kg   1.5 lbs
LAMPHOLDER	E26
MAX WATTAGE	60W
VOLTAGE	110/120v
ENVIRONMENTAL RATING	Dry Location (IP20)
CLASS PROTECTION	Class I
SHADE	-
FLEX   BAR   CHAIN LENGTH	n/a
CABLE TYPE	

## FIXING BRACKET: MLROSE39 | Polished Brass

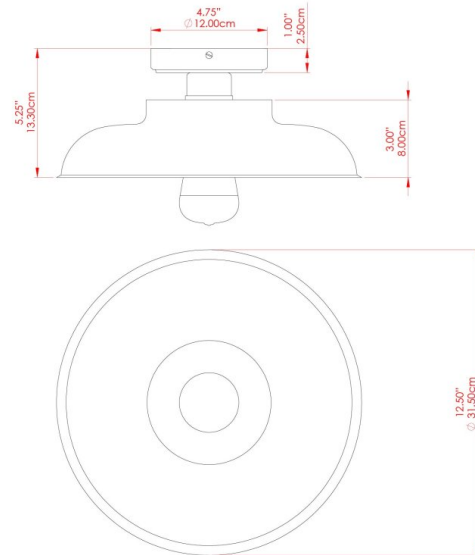


Product Notes:  
 1) Bulbs not included. 2) Dimensions do not include bulbs. 3) All products are individually made-to-order and therefore may differ slightly within manufacturing tolerances. 4) Cable / chain can be shortened during installation. Longer cable / chain lengths available on request. 5) Additional color finishes may be available on request. 6) Twisted cable is not available for UL wired products. Round cable in black or brown only is supplied instead. 7) Refer to our website for a full list of terms and conditions.



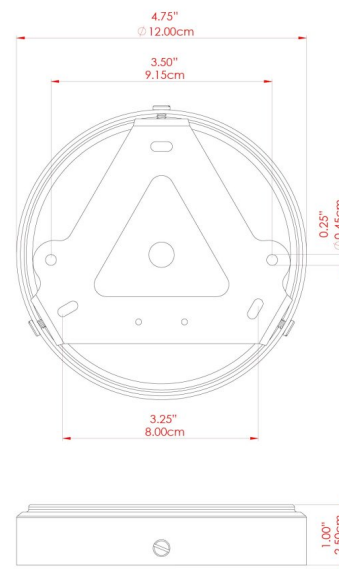
# TELAL Ceiling Light

MLCF31SATBRS Satin Brass



MATERIAL	Brass
HEIGHT	5.5"
WIDTH   DIAMETER	11.75"
LENGTH   PROJECTION	n/a
WEIGHT	0.72 kg   1.5 lbs
LAMPHOLDER	E26
MAX WATTAGE	60W
VOLTAGE	110/120v
ENVIRONMENTAL RATING	Dry Location (IP20)
CLASS PROTECTION	Class I
SHADE	-
FLEX   BAR   CHAIN LENGTH	n/a
CABLE TYPE	

## FIXING BRACKET: MLROSE39 | Satin Brass



Product Notes:  
 1) Bulbs not included. 2) Dimensions do not include bulbs. 3) All products are individually made-to-order and therefore may differ slightly within manufacturing tolerances. 4) Cable / chain can be shortened during installation. Longer cable / chain lengths available on request. 5) Additional color finishes may be available on request. 6) Twisted cable is not available for UL wired products. Round cable in black or brown only is supplied instead. 7) Refer to our website for a full list of terms and conditions.

