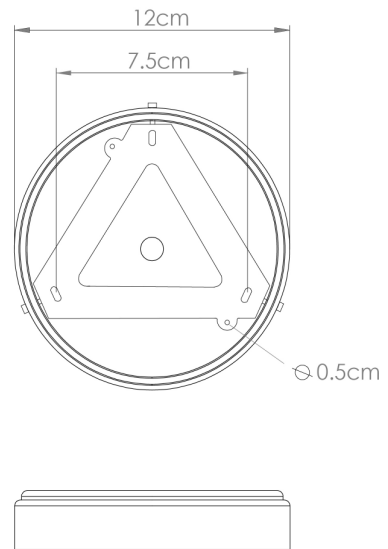


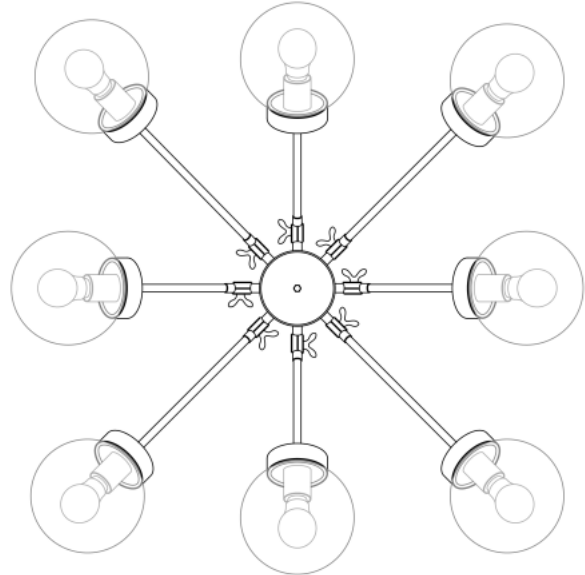
MATERIAL	Brass   Glass
HEIGHT	20-60cm   7.87-23.62"
WIDTH   DIAMETER	46-140cm   18.11-55.12"
LENGTH   PROJECTION	n/a
WEIGHT	9.44KG   20.81lbs
LAMPHOLDER	E27 x 8
MAX WATTAGE	40W x 8
VOLTAGE	220/240v
IP RATING	20
CLASS PROTECTION	I
SHADE	GL166 x 8
FLEX   BAR   CHAIN LENGT	100cm   40"
CABLE TYPE	MLCA046   3 Core Round   Brown Braid   PVC

Fixing Bracket MLWB17 | Antiqu Brass



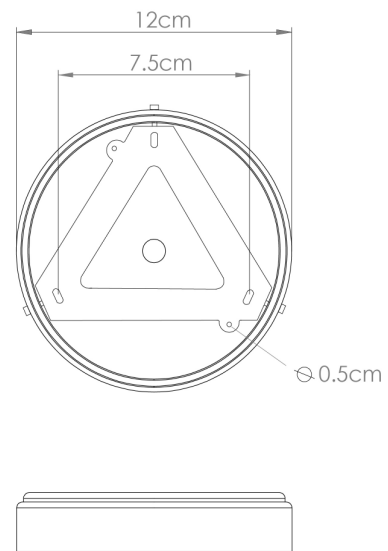
Product Notes:

1) Lamps not included with light fixture. 2) All products are individually hand crafted, therefore may differ slightly within manufacturing tolerances. 3) Please refer to: <http://www.mullanlighting.com/terms> for full list of Terms & Conditions. 4) Cable/Chain can be shortened during installation. 5) Longer Cable/Chain available on request. 6) Additional colour finishes available on request. 7.) Dimensions do not include lamps. 8.) Products wired to UL standards will operate at 110/120v with the appropriate lampholders.



MATERIAL	Brass   Glass
HEIGHT	20-60cm   7.87-23.62"
WIDTH   DIAMETER	46-140cm   18.11-55.12"
LENGTH   PROJECTION	n/a
WEIGHT	9.44KG   20.81lbs
LAMPHOLDER	E27 x 8
MAX WATTAGE	40W x 8
VOLTAGE	220/240v
IP RATING	20
CLASS PROTECTION	I
SHADE	GL167 x 8
FLEX   BAR   CHAIN LENGT	100cm   40"
CABLE TYPE	MLCA046   3 Core Round   Brown Braid   PVC

Fixing Bracket MLWB17 | Antiqu Brass

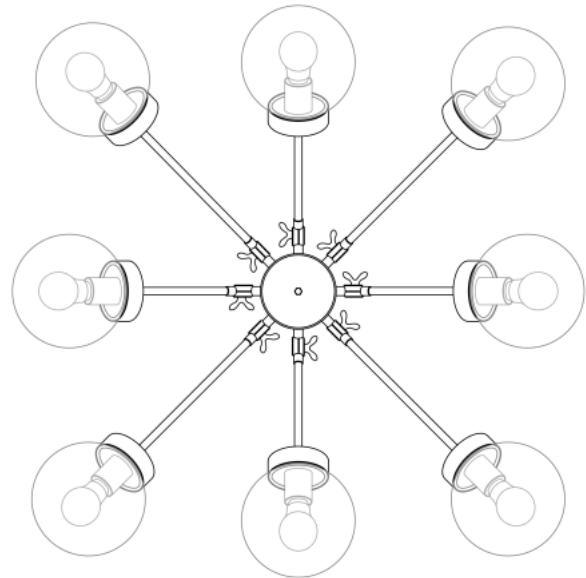


Product Notes:

1) Lamps not included with light fixture. 2) All products are individually hand crafted, therefore may differ slightly within manufacturing tolerances. 3) Please refer to: <http://www.mullanlighting.com/terms> for full list of Terms & Conditions. 4) Cable/Chain can be shortened during installation. 5) Longer Cable/Chain available on request. 6) Additional colour finishes available on request. 7.) Dimensions do not include lamps. 8.) Products wired to UL standards will operate at 110/120v with the appropriate lampholders.

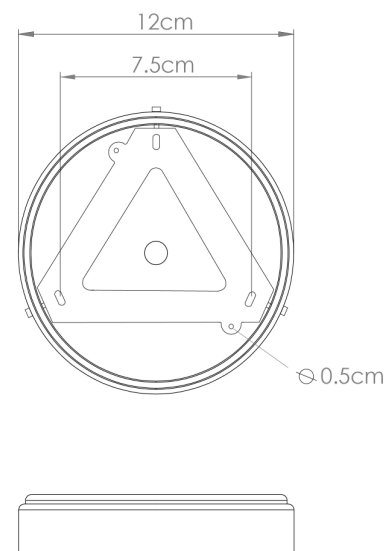
## BOHO Chandelier

MLF271ANTSLVCL Antique Silver



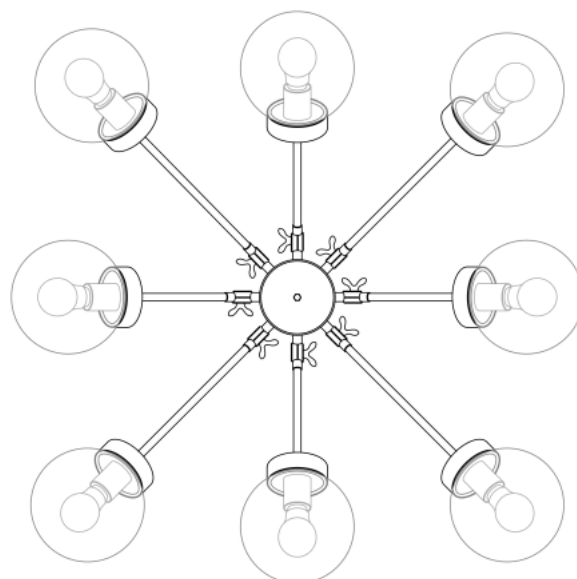
MATERIAL	Brass   Glass
HEIGHT	20-60cm   7.87-23.62"
WIDTH   DIAMETER	46-140cm   18.11-55.12"
LENGTH   PROJECTION	n/a
WEIGHT	9.44KG   20.81lbs
LAMPHOLDER	E27 x 8
MAX WATTAGE	40W x 8
VOLTAGE	220/240v
IP RATING	20
CLASS PROTECTION	I
SHADE	GL166 x 8
FLEX   BAR   CHAIN LENGT	100cm   40"
CABLE TYPE	MLCA029   3 Core Round   Black Braid   PVC

Fixing Bracket MLWB17 | Antique Silver

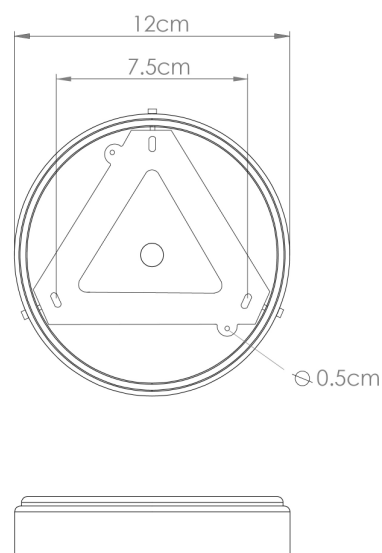


**Product Notes:**

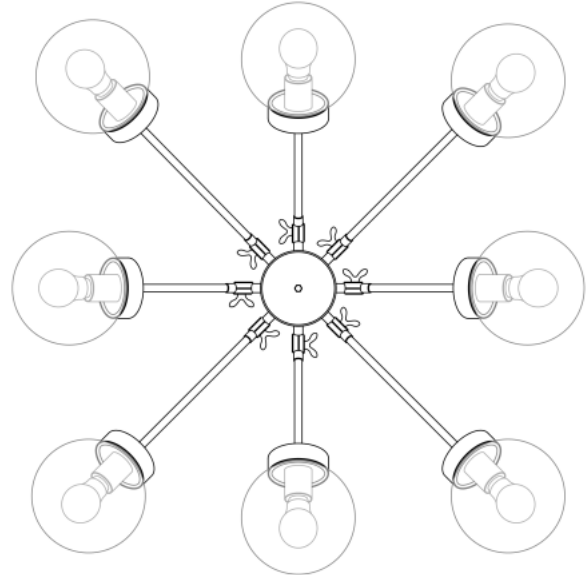
1) Lamps not included with light fixture. 2) All products are individually hand crafted, therefore may differ slightly within manufacturing tolerances. 3) Please refer to: <http://www.mullanlighting.com/terms> for full list of Terms & Conditions. 4) Cable/Chain can be shortened during installation. 5) Longer Cable/Chain available on request. 6) Additional colour finishes available on request. 7.) Dimensions do not include lamps. 8.) Products wired to UL standards will operate at 110/120v with the appropriate lampholders.



MATERIAL	Brass   Glass
HEIGHT	20-60cm   7.87-23.62"
WIDTH   DIAMETER	46-140cm   18.11-55.12"
LENGTH   PROJECTION	n/a
WEIGHT	9.44KG   20.81lbs
LAMPHOLDER	E27 x 8
MAX WATTAGE	40W x 8
VOLTAGE	220/240v
IP RATING	20
CLASS PROTECTION	I
SHADE	GL167 x 8
FLEX   BAR   CHAIN LENGT	100cm   40"
CABLE TYPE	MLCA029   3 Core Round   Black Braid   PVC

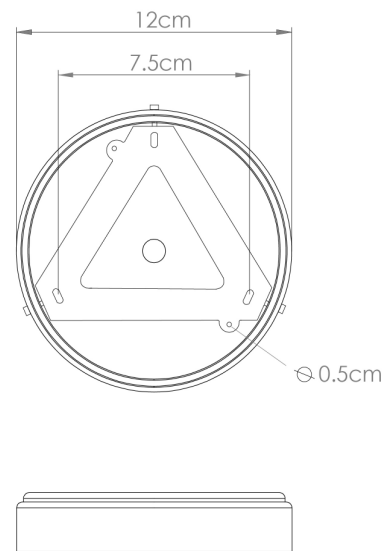
**Fixing Bracket MLWB17 | Antique Silver**

**Product Notes:**

1) Lamps not included with light fixture. 2) All products are individually hand crafted, therefore may differ slightly within manufacturing tolerances. 3) Please refer to: <http://www.mullanlighting.com/terms> for full list of Terms & Conditions. 4) Cable/Chain can be shortened during installation. 5) Longer Cable/Chain available on request. 6) Additional colour finishes available on request. 7.) Dimensions do not include lamps. 8.) Products wired to UL standards will operate at 110/120v with the appropriate lampholders.



MATERIAL	Brass   Glass
HEIGHT	20-60cm   7.87-23.62"
WIDTH   DIAMETER	46-140cm   18.11-55.12"
LENGTH   PROJECTION	n/a
WEIGHT	9.44KG   20.81lbs
LAMPHOLDER	E27 x 8
MAX WATTAGE	40W x 8
VOLTAGE	220/240v
IP RATING	20
CLASS PROTECTION	I
SHADE	GL166 x 8
FLEX   BAR   CHAIN LENGT	100cm   40"
CABLE TYPE	MLCA029   3 Core Round   Black Braid   PVC

Fixing Bracket MLWB17 | Polished Brass

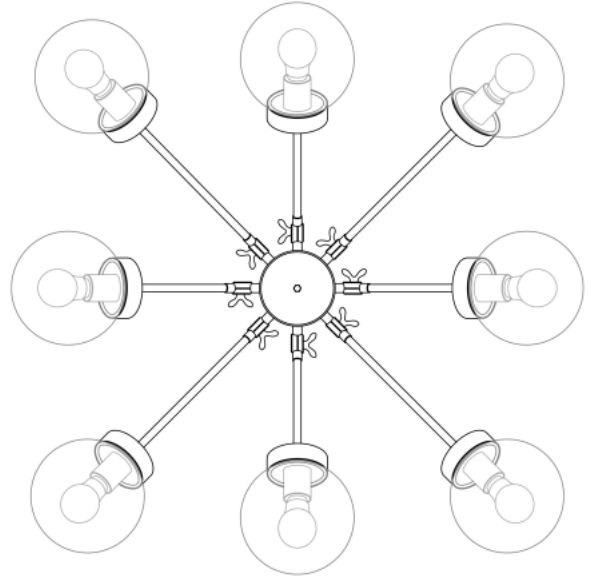


Product Notes:

1) Lamps not included with light fixture. 2) All products are individually hand crafted, therefore may differ slightly within manufacturing tolerances. 3) Please refer to: <http://www.mullanlighting.com/terms> for full list of Terms & Conditions. 4) Cable/Chain can be shortened during installation. 5) Longer Cable/Chain available on request. 6) Additional colour finishes available on request. 7.) Dimensions do not include lamps. 8.) Products wired to UL standards will operate at 110/120v with the appropriate lampholders.

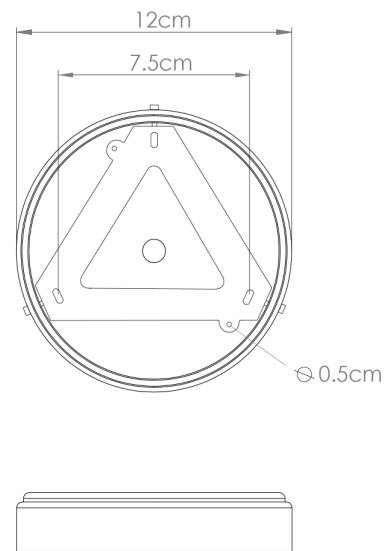
## BOHO Chandelier

MLF271POLBRSOP Polished Brass



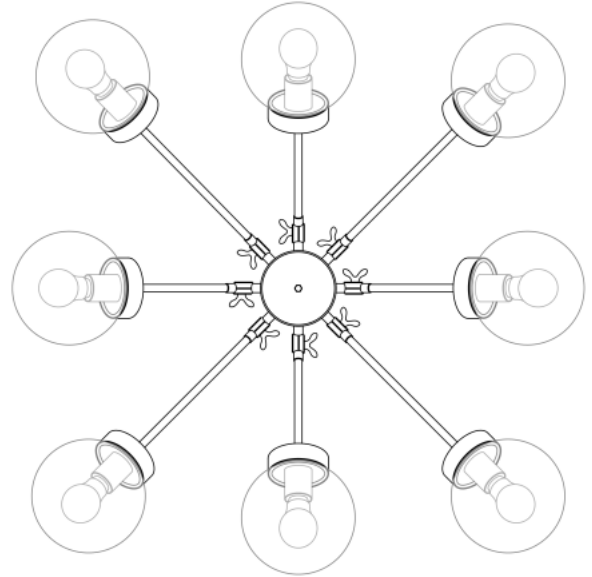
MATERIAL	Brass   Glass
HEIGHT	20-60cm   7.87-23.62"
WIDTH   DIAMETER	46-140cm   18.11-55.12"
LENGTH   PROJECTION	n/a
WEIGHT	9.44KG   20.81lbs
LAMPHOLDER	E27 x 8
MAX WATTAGE	40W x 8
VOLTAGE	220/240v
IP RATING	20
CLASS PROTECTION	I
SHADE	GL167 x 8
FLEX   BAR   CHAIN LENGT	100cm   40"
CABLE TYPE	MLCA029   3 Core Round   Black Braid   PVC

Fixing Bracket MLWB17 | Polished Brass



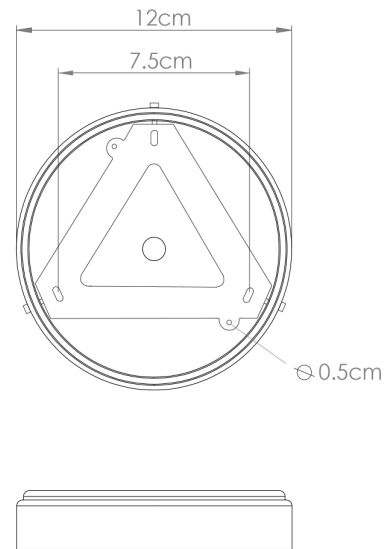
**Product Notes:**

1) Lamps not included with light fixture. 2) All products are individually hand crafted, therefore may differ slightly within manufacturing tolerances. 3) Please refer to: <http://www.mullanlighting.com/terms> for full list of Terms & Conditions. 4) Cable/Chain can be shortened during installation. 5) Longer Cable/Chain available on request. 6) Additional colour finishes available on request. 7.) Dimensions do not include lamps. 8.) Products wired to UL standards will operate at 110/120v with the appropriate lampholders.



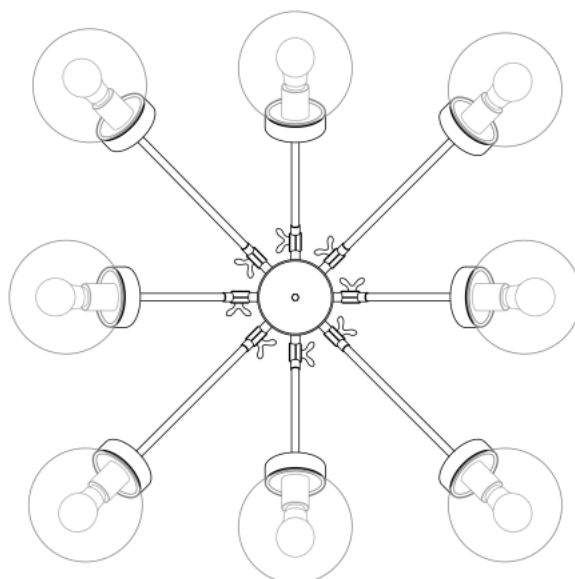
MATERIAL	Brass   Glass
HEIGHT	20-60cm   7.87-23.62"
WIDTH   DIAMETER	46-140cm   18.11-55.12"
LENGTH   PROJECTION	n/a
WEIGHT	9.44KG   20.81lbs
LAMPHOLDER	E27 x 8
MAX WATTAGE	40W x 8
VOLTAGE	220/240v
IP RATING	20
CLASS PROTECTION	I
SHADE	GL166 x 8
FLEX   BAR   CHAIN LENGT	100cm   40"
CABLE TYPE	MLCA029   3 Core Round   Black Braid   PVC

Fixing Bracket MLWB17 | Satin Brass

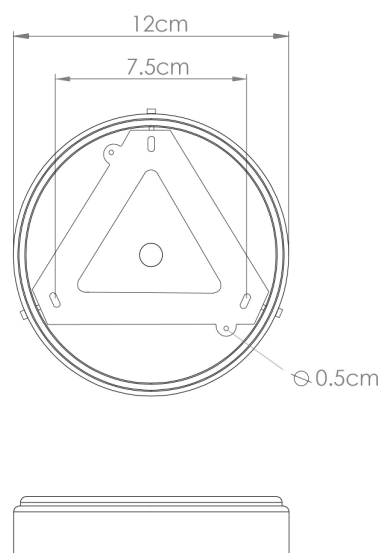


Product Notes:

1) Lamps not included with light fixture. 2) All products are individually hand crafted, therefore may differ slightly within manufacturing tolerances. 3) Please refer to: <http://www.mullanlighting.com/terms> for full list of Terms & Conditions. 4) Cable/Chain can be shortened during installation. 5) Longer Cable/Chain available on request. 6) Additional colour finishes available on request. 7.) Dimensions do not include lamps. 8.) Products wired to UL standards will operate at 110/120v with the appropriate lampholders.



MATERIAL	Brass   Glass
HEIGHT	20-60cm   7.87-23.62"
WIDTH   DIAMETER	46-140cm   18.11-55.12"
LENGTH   PROJECTION	n/a
WEIGHT	9.44KG   20.81lbs
LAMPHOLDER	E27 x 8
MAX WATTAGE	40W x 8
VOLTAGE	220/240v
IP RATING	20
CLASS PROTECTION	I
SHADE	GL167 x 8
FLEX   BAR   CHAIN LENGT	100cm   40"
CABLE TYPE	MLCA029   3 Core Round   Black Braid   PVC

**Fixing Bracket MLWB17 | Satin Brass**

**Product Notes:**

1) Lamps not included with light fixture. 2) All products are individually hand crafted, therefore may differ slightly within manufacturing tolerances. 3) Please refer to: <http://www.mullanlighting.com/terms> for full list of Terms & Conditions. 4) Cable/Chain can be shortened during installation. 5) Longer Cable/Chain available on request. 6) Additional colour finishes available on request. 7.) Dimensions do not include lamps. 8.) Products wired to UL standards will operate at 110/120v with the appropriate lampholders.