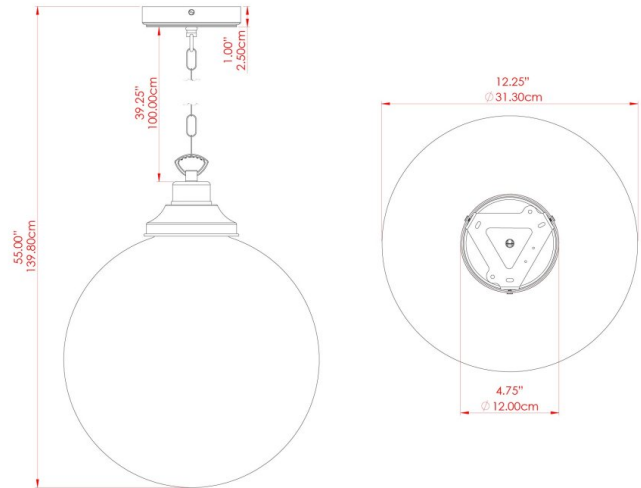


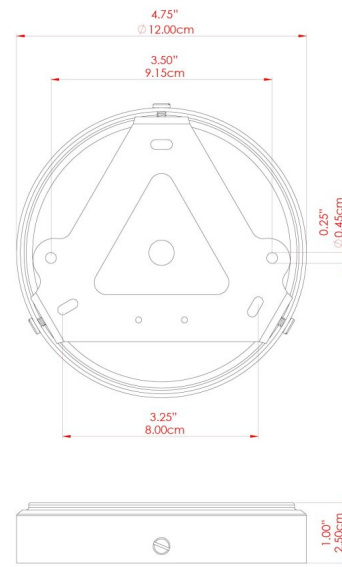
YEREVAN 30CM Pendant

MLP000ANTBRS Antique Brass



| | |
|---------------------------|---|
| MATERIAL | Brass Glass |
| HEIGHT | 15" |
| WIDTH DIAMETER | 11.75" |
| LENGTH PROJECTION | n/a |
| WEIGHT | 2.6 kg 5.8 lbs |
| LAMPHOLDER | E26 |
| MAX WATTAGE | 40W |
| VOLTAGE | 110/120v |
| ENVIRONMENTAL RATING | Dry Location (IP20) |
| CLASS PROTECTION | Class I |
| SHADE | GL044C |
| FLEX BAR CHAIN LENGTH | 40" |
| CABLE TYPE | MLCA010 Brown PVC Flexible Cable 2 Core |

FIXING BRACKET: MLROSE39 | Antique Brass

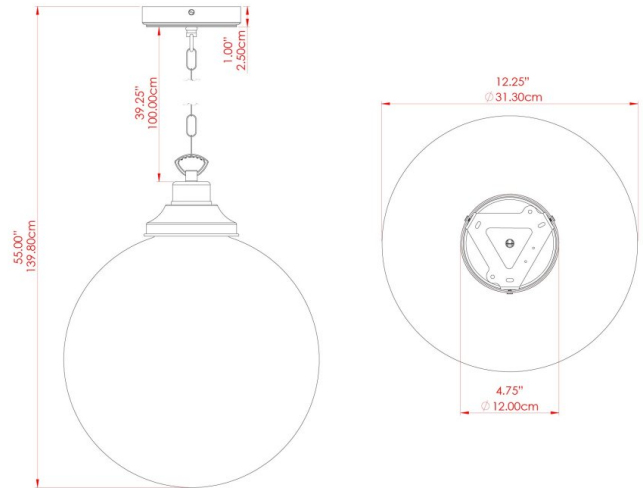


Product Notes:
 1) Bulbs not included. 2) Dimensions do not include bulbs. 3) All products are individually made-to-order and therefore may differ slightly within manufacturing tolerances. 4) Cable / chain can be shortened during installation. Longer cable / chain lengths available on request. 5) Additional color finishes may be available on request. 6) Twisted cable is not available for UL wired products. Round cable in black or brown only is supplied instead. 7) Refer to our website for a full list of terms and conditions.



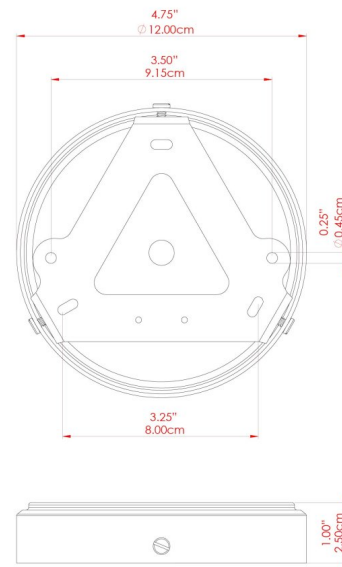
YEREVAN 30CM Pendant

MLP000ANTSLV Antique Silver



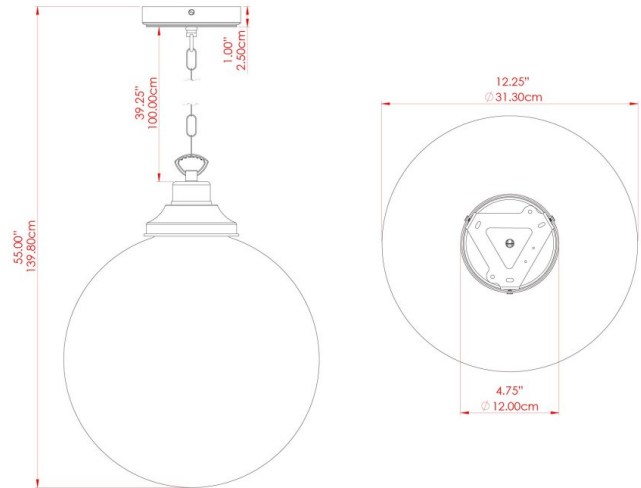
| | |
|---------------------------|---|
| MATERIAL | Brass Glass |
| HEIGHT | 15" |
| WIDTH DIAMETER | 11.75" |
| LENGTH PROJECTION | n/a |
| WEIGHT | 2.6 kg 5.8 lbs |
| LAMPHOLDER | E26 |
| MAX WATTAGE | 40W |
| VOLTAGE | 110/120v |
| ENVIRONMENTAL RATING | Dry Location (IP20) |
| CLASS PROTECTION | Class I |
| SHADE | GL044C |
| FLEX BAR CHAIN LENGTH | 40" |
| CABLE TYPE | MLCA014 Clear PVC Flexible Cable 2 Core |

FIXING BRACKET: MLROSE39 | Antique Silver



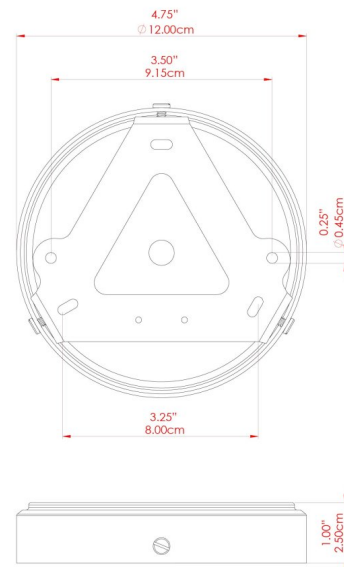
Product Notes:
 1) Bulbs not included. 2) Dimensions do not include bulbs. 3) All products are individually made-to-order and therefore may differ slightly within manufacturing tolerances. 4) Cable / chain can be shortened during installation. Longer cable / chain lengths available on request. 5) Additional color finishes may be available on request. 6) Twisted cable is not available for UL wired products. Round cable in black or brown only is supplied instead. 7) Refer to our website for a full list of terms and conditions.





| | |
|---------------------------|---------------------|
| MATERIAL | Brass |
| HEIGHT | 9" |
| WIDTH DIAMETER | 11.75" |
| LENGTH PROJECTION | 7" |
| WEIGHT | 0 kg 0 lbs |
| LAMPHOLDER | E26 |
| MAX WATTAGE | 6.5W |
| VOLTAGE | 110/120v |
| ENVIRONMENTAL RATING | Wet Location (IP65) |
| CLASS PROTECTION | Class I |
| SHADE | - |
| FLEX BAR CHAIN LENGTH | 40" |
| CABLE TYPE | |

FIXING BRACKET: MLROSE39 | Black

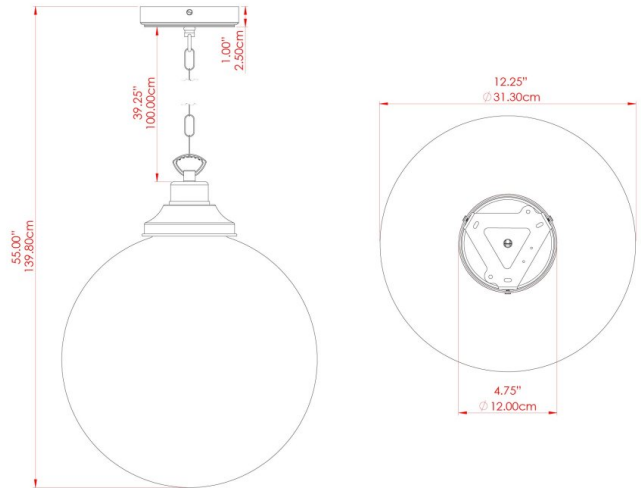


Product Notes:
 1) Bulbs not included. 2) Dimensions do not include bulbs. 3) All products are individually made-to-order and therefore may differ slightly within manufacturing tolerances. 4) Cable / chain can be shortened during installation. Longer cable / chain lengths available on request. 5) Additional color finishes may be available on request. 6) Twisted cable is not available for UL wired products. Round cable in black or brown only is supplied instead. 7) Refer to our website for a full list of terms and conditions.



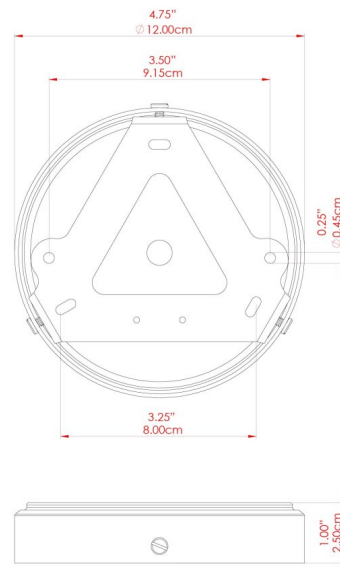
YEREVAN 30CM Pendant

MLP000PCMBK Matt Black



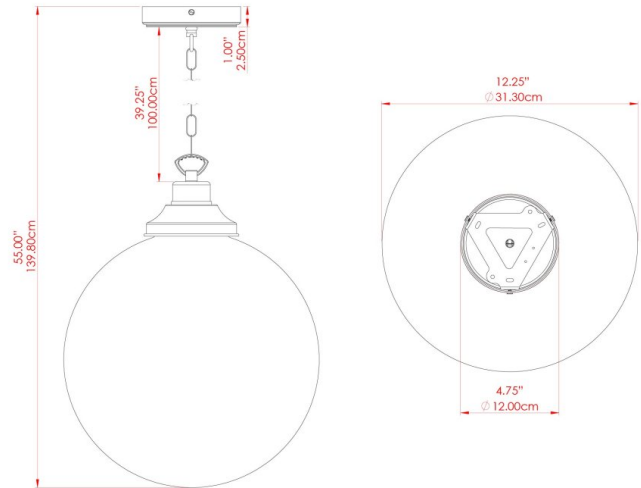
| | |
|---------------------------|---|
| MATERIAL | Brass Glass |
| HEIGHT | 15" |
| WIDTH DIAMETER | 11.75" |
| LENGTH PROJECTION | n/a |
| WEIGHT | 2.6 kg 5.8 lbs |
| LAMPHOLDER | E26 |
| MAX WATTAGE | 40W |
| VOLTAGE | 110/120v |
| ENVIRONMENTAL RATING | Dry Location (IP20) |
| CLASS PROTECTION | Class I |
| SHADE | GL044C |
| FLEX BAR CHAIN LENGTH | 40" |
| CABLE TYPE | MLCA009 Black PVC Flexible Cable 2 Core |

FIXING BRACKET: MLROSE39 | Matt Black



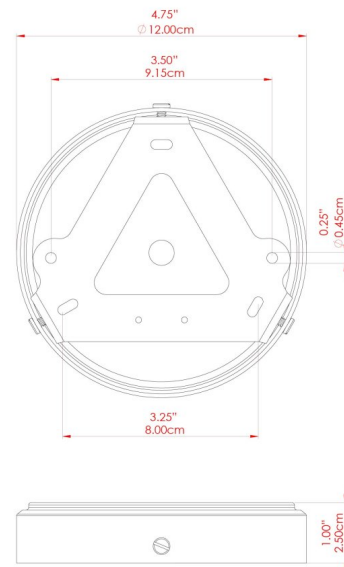
Product Notes:
 1) Bulbs not included. 2) Dimensions do not include bulbs. 3) All products are individually made-to-order and therefore may differ slightly within manufacturing tolerances. 4) Cable / chain can be shortened during installation. Longer cable / chain lengths available on request. 5) Additional color finishes may be available on request. 6) Twisted cable is not available for UL wired products. Round cable in black or brown only is supplied instead. 7) Refer to our website for a full list of terms and conditions.





| | |
|---------------------------|---------------------|
| MATERIAL | Brass |
| HEIGHT | 9" |
| WIDTH DIAMETER | 11.75" |
| LENGTH PROJECTION | 7" |
| WEIGHT | 2.6 kg 5.8 lbs |
| LAMPHOLDER | E26 |
| MAX WATTAGE | 6.5W |
| VOLTAGE | 110/120v |
| ENVIRONMENTAL RATING | Wet Location (IP65) |
| CLASS PROTECTION | Class I |
| SHADE | - |
| FLEX BAR CHAIN LENGTH | 40" |
| CABLE TYPE | |

FIXING BRACKET: MLROSE39 | White



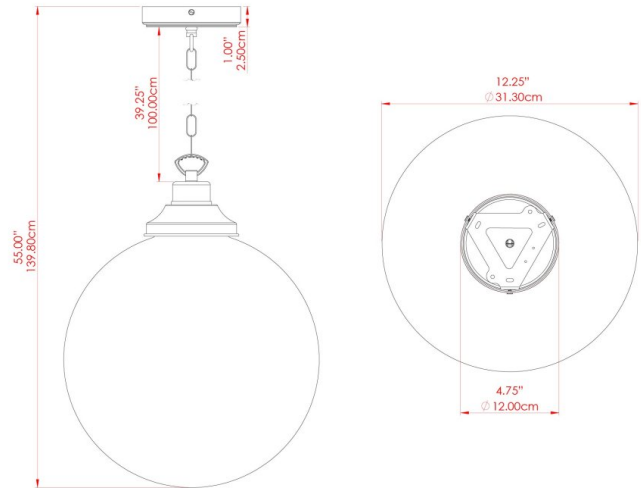
Product Notes:
 1) Bulbs not included. 2) Dimensions do not include bulbs. 3) All products are individually made-to-order and therefore may differ slightly within manufacturing tolerances. 4) Cable / chain can be shortened during installation. Longer cable / chain lengths available on request. 5) Additional color finishes may be available on request. 6) Twisted cable is not available for UL wired products. Round cable in black or brown only is supplied instead. 7) Refer to our website for a full list of terms and conditions.





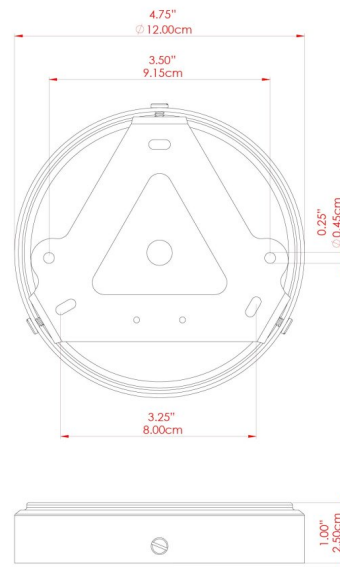
YEREVAN 30CM Pendant

MLP000POLBRS Polished Brass



| | |
|---------------------------|--|
| MATERIAL | Brass Glass |
| HEIGHT | 15" |
| WIDTH DIAMETER | 11.75" |
| LENGTH PROJECTION | n/a |
| WEIGHT | 2.6 kg 5.8 lbs |
| LAMPHOLDER | E26 |
| MAX WATTAGE | 40W |
| VOLTAGE | 110/120v |
| ENVIRONMENTAL RATING | Dry Location (IP20) |
| CLASS PROTECTION | Class I |
| SHADE | GL044C |
| FLEX BAR CHAIN LENGTH | 40" |
| CABLE TYPE | MLCA038 Gold PVC Flexible Cable 2 Core |

FIXING BRACKET: MLROSE39 | Polished Brass

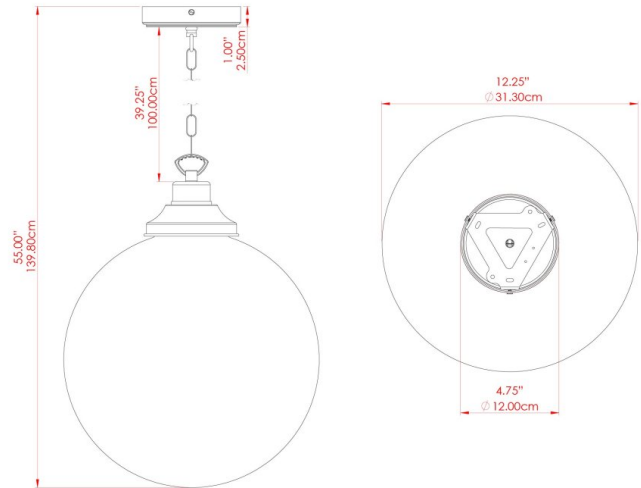


Product Notes:
 1) Bulbs not included. 2) Dimensions do not include bulbs. 3) All products are individually made-to-order and therefore may differ slightly within manufacturing tolerances. 4) Cable / chain can be shortened during installation. Longer cable / chain lengths available on request. 5) Additional color finishes may be available on request. 6) Twisted cable is not available for UL wired products. Round cable in black or brown only is supplied instead. 7) Refer to our website for a full list of terms and conditions.



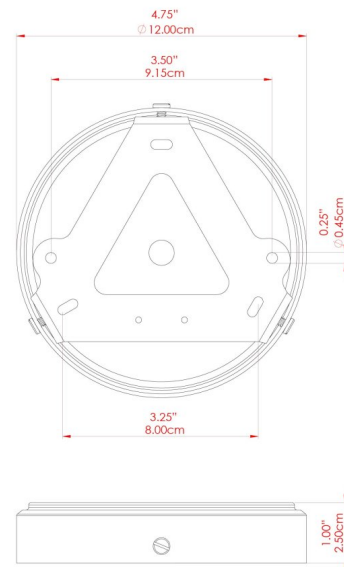
YEREVAN 30CM Pendant

MLP000POLCHR Polished Chrome



| | |
|---------------------------|---|
| MATERIAL | Brass Glass |
| HEIGHT | 15.25" |
| WIDTH DIAMETER | 11.75" |
| LENGTH PROJECTION | n/a |
| WEIGHT | 2.6 kg 5.8 lbs |
| LAMPHOLDER | E26 |
| MAX WATTAGE | 40W |
| VOLTAGE | 110/120v |
| ENVIRONMENTAL RATING | Dry Location (IP20) |
| CLASS PROTECTION | Class I |
| SHADE | GL044C |
| FLEX BAR CHAIN LENGTH | 40" |
| CABLE TYPE | MLCA014 Clear PVC Flexible Cable 2 Core |

FIXING BRACKET: MLROSE39 | Polished Chrome

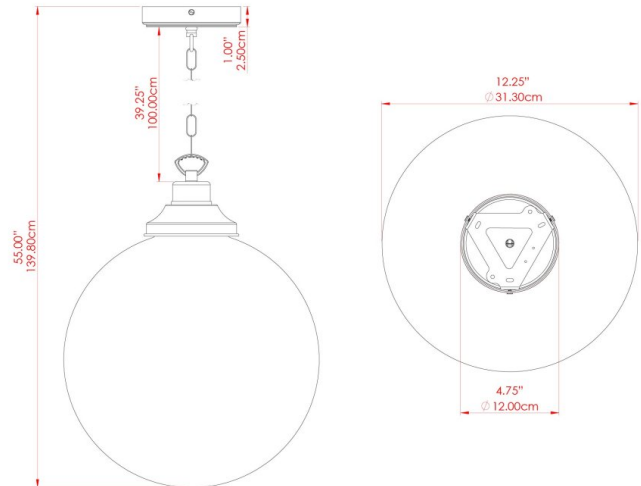


Product Notes:
 1) Bulbs not included. 2) Dimensions do not include bulbs. 3) All products are individually made-to-order and therefore may differ slightly within manufacturing tolerances. 4) Cable / chain can be shortened during installation. Longer cable / chain lengths available on request. 5) Additional color finishes may be available on request. 6) Twisted cable is not available for UL wired products. Round cable in black or brown only is supplied instead. 7) Refer to our website for a full list of terms and conditions.



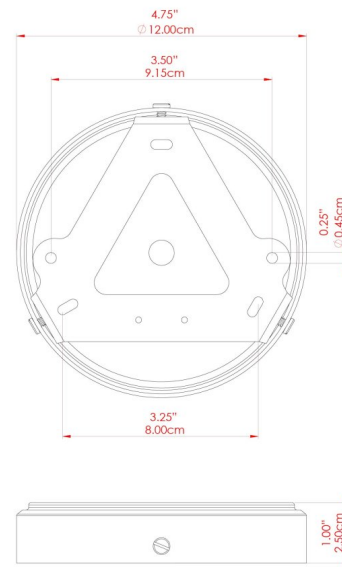
YEREVAN 30CM Pendant

MLP000SATBRS Satin Brass



| | |
|---------------------------|--|
| MATERIAL | Brass Glass |
| HEIGHT | 15" |
| WIDTH DIAMETER | 11.75" |
| LENGTH PROJECTION | n/a |
| WEIGHT | 2.6 kg 5.8 lbs |
| LAMPHOLDER | E26 |
| MAX WATTAGE | 40W |
| VOLTAGE | 110/120v |
| ENVIRONMENTAL RATING | Dry Location (IP20) |
| CLASS PROTECTION | Class I |
| SHADE | GL044C |
| FLEX BAR CHAIN LENGTH | 40" |
| CABLE TYPE | MLCA038 Gold PVC Flexible Cable 2 Core |

FIXING BRACKET: MLROSE39 | Satin Brass

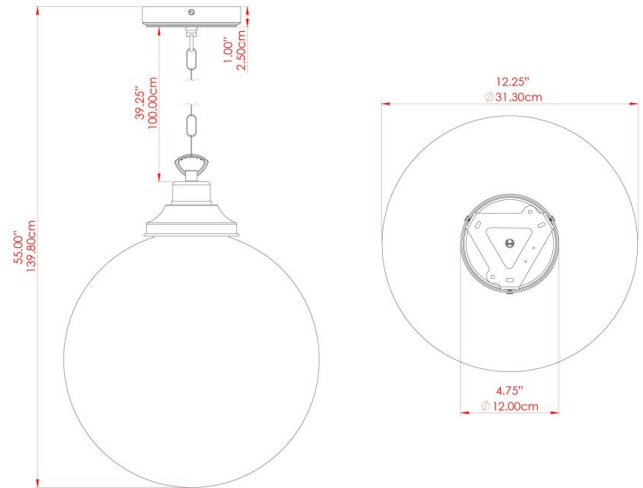


Product Notes:
 1) Bulbs not included. 2) Dimensions do not include bulbs. 3) All products are individually made-to-order and therefore may differ slightly within manufacturing tolerances. 4) Cable / chain can be shortened during installation. Longer cable / chain lengths available on request. 5) Additional color finishes may be available on request. 6) Twisted cable is not available for UL wired products. Round cable in black or brown only is supplied instead. 7) Refer to our website for a full list of terms and conditions.



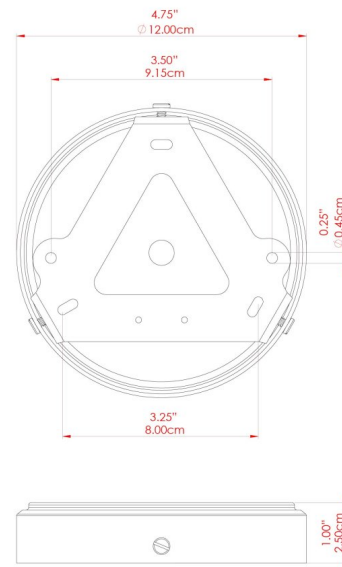
YEREVAN 30CM Pendant

MLP000SATCHR Satin Chrome



| | |
|---------------------------|--|
| MATERIAL | Brass Glass |
| HEIGHT | 15.25" |
| WIDTH DIAMETER | 11.75" |
| LENGTH PROJECTION | n/a |
| WEIGHT | 2.6 kg 5.8 lbs |
| LAMPHOLDER | E26 |
| MAX WATTAGE | 40W |
| VOLTAGE | 110/120v |
| ENVIRONMENTAL RATING | Dry Location (IP20) |
| CLASS PROTECTION | Class I |
| SHADE | GL044C |
| FLEX BAR CHAIN LENGTH | 40" |
| CABLE TYPE | MLCA038 Gold PVC Flexible Cable 2 Core |

FIXING BRACKET: MLROSE39 | Satin Chrome



Product Notes:
 1) Bulbs not included. 2) Dimensions do not include bulbs. 3) All products are individually made-to-order and therefore may differ slightly within manufacturing tolerances. 4) Cable / chain can be shortened during installation. Longer cable / chain lengths available on request. 5) Additional color finishes may be available on request. 6) Twisted cable is not available for UL wired products. Round cable in black or brown only is supplied instead. 7) Refer to our website for a full list of terms and conditions.

