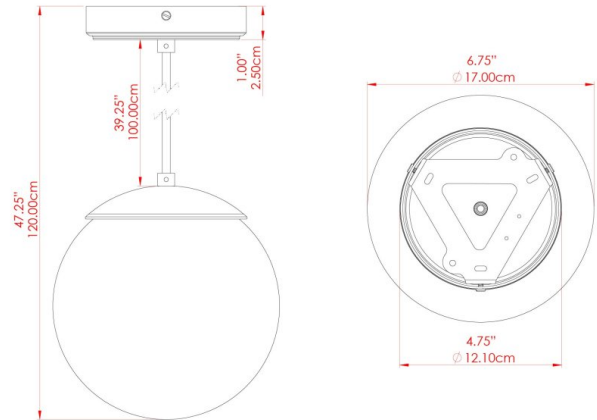


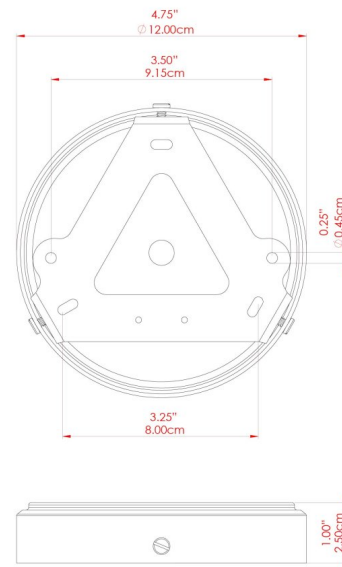
VENICE Pendant

MLP459ANTBRSCl Antique Brass



| | |
|---------------------------|---|
| MATERIAL | Brass Aluminium |
| HEIGHT | 7.5" |
| WIDTH DIAMETER | 6.75" |
| LENGTH PROJECTION | n/a |
| WEIGHT | 0.88 kg 2 lbs |
| LAMPHOLDER | E26 |
| MAX WATTAGE | 40W |
| VOLTAGE | 110/120v |
| ENVIRONMENTAL RATING | Dry Location (IP20) |
| CLASS PROTECTION | Class I |
| SHADE | GL179 |
| FLEX BAR CHAIN LENGTH | 40" |
| CABLE TYPE | MLCA047 Brown Fabric Braided Cable 2 Core Round |

FIXING BRACKET: MLROSE39 | Antique Brass

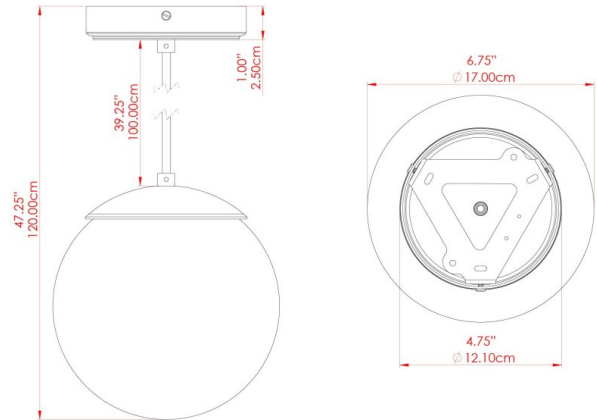


Product Notes:
 1) Bulbs not included. 2) Dimensions do not include bulbs. 3) All products are individually made-to-order and therefore may differ slightly within manufacturing tolerances. 4) Cable / chain can be shortened during installation. Longer cable / chain lengths available on request. 5) Additional color finishes may be available on request. 6) Twisted cable is not available for UL wired products. Round cable in black or brown only is supplied instead. 7) Refer to our website for a full list of terms and conditions.



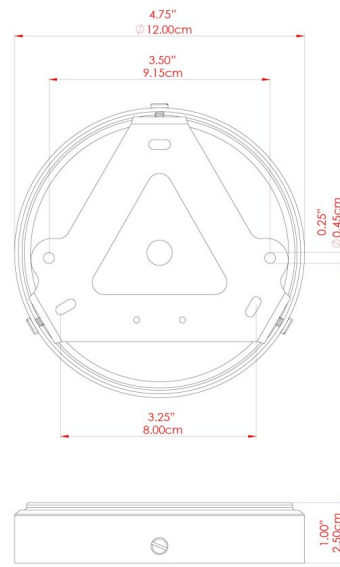
VENICE Pendant

MLP459ANTBRSFR Antique Brass



| | |
|---------------------------|---|
| MATERIAL | Brass Aluminium |
| HEIGHT | 7.5" |
| WIDTH DIAMETER | 6.75" |
| LENGTH PROJECTION | n/a |
| WEIGHT | 0.88 kg 2 lbs |
| LAMPHOLDER | E26 |
| MAX WATTAGE | 40W |
| VOLTAGE | 110/120v |
| ENVIRONMENTAL RATING | Dry Location (IP20) |
| CLASS PROTECTION | Class I |
| SHADE | GL180 |
| FLEX BAR CHAIN LENGTH | 40" |
| CABLE TYPE | MLCA047 Brown Fabric Braided Cable 2 Core Round |

FIXING BRACKET: MLROSE39 | Antique Brass



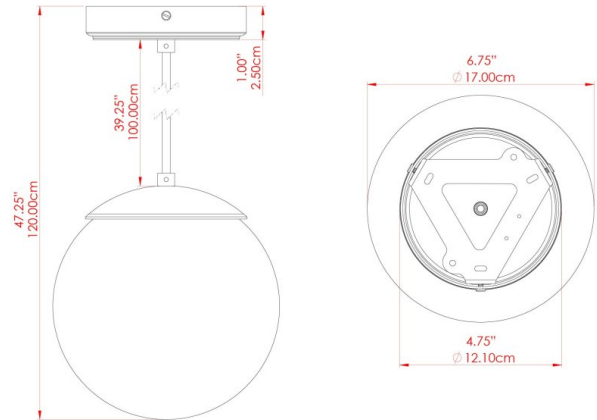
Product Notes:
 1) Bulbs not included. 2) Dimensions do not include bulbs. 3) All products are individually made-to-order and therefore may differ slightly within manufacturing tolerances. 4) Cable / chain can be shortened during installation. Longer cable / chain lengths available on request. 5) Additional color finishes may be available on request. 6) Twisted cable is not available for UL wired products. Round cable in black or brown only is supplied instead. 7) Refer to our website for a full list of terms and conditions.





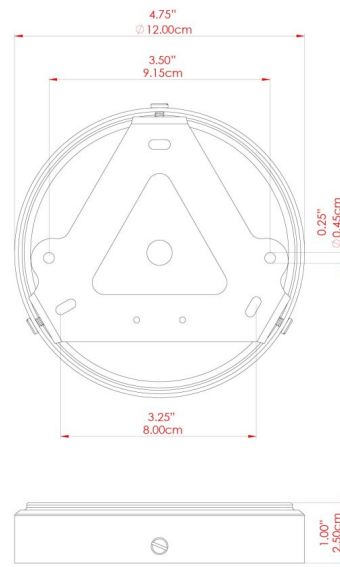
VENICE Pendant

MLP459ANTBRSSM Antique Brass



| | |
|---------------------------|---|
| MATERIAL | Brass Glass |
| HEIGHT | 7.5" |
| WIDTH DIAMETER | 6.75" |
| LENGTH PROJECTION | n/a |
| WEIGHT | 0.88 kg 2 lbs |
| LAMPHOLDER | E26 |
| MAX WATTAGE | 40W |
| VOLTAGE | 110/120v |
| ENVIRONMENTAL RATING | Dry Location (IP20) |
| CLASS PROTECTION | Class I |
| SHADE | GL183 |
| FLEX BAR CHAIN LENGTH | 40" |
| CABLE TYPE | MLCA047 Brown Fabric Braided Cable 2 Core Round |

FIXING BRACKET: MLROSE39 | Antique Brass

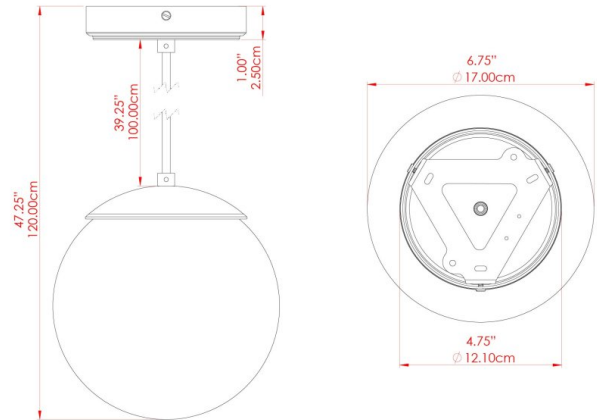


Product Notes:
1) Bulbs not included. 2) Dimensions do not include bulbs. 3) All products are individually made-to-order and therefore may differ slightly within manufacturing tolerances. 4) Cable / chain can be shortened during installation. Longer cable / chain lengths available on request. 5) Additional color finishes may be available on request. 6) Twisted cable is not available for UL wired products. Round cable in black or brown only is supplied instead. 7) Refer to our website for a full list of terms and conditions.



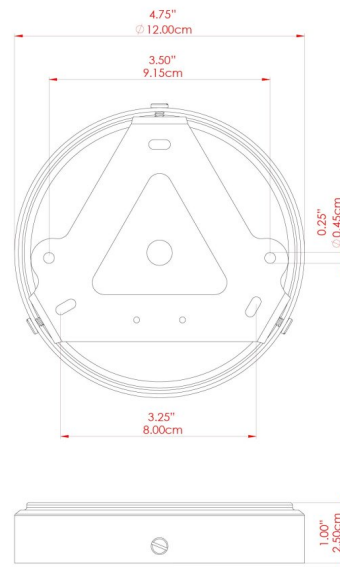
VENICE Pendant

MLP459ANTSLVCL Antique Silver



| | |
|---------------------------|---|
| MATERIAL | Brass Aluminium |
| HEIGHT | 7.5" |
| WIDTH DIAMETER | 6.75" |
| LENGTH PROJECTION | n/a |
| WEIGHT | 0.88 kg 2 lbs |
| LAMPHOLDER | E26 |
| MAX WATTAGE | 40W |
| VOLTAGE | 110/120v |
| ENVIRONMENTAL RATING | Dry Location (IP20) |
| CLASS PROTECTION | Class I |
| SHADE | GL179 |
| FLEX BAR CHAIN LENGTH | 40" |
| CABLE TYPE | MLCA028 Black Fabric Braided Cable 2 Core Round |

FIXING BRACKET: MLROSE39 | Antique Silver



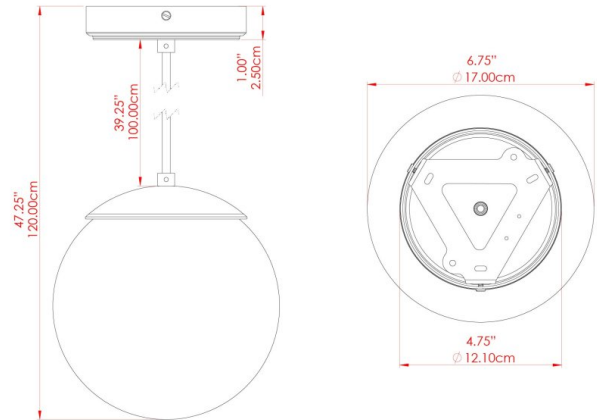
Product Notes:
 1) Bulbs not included. 2) Dimensions do not include bulbs. 3) All products are individually made-to-order and therefore may differ slightly within manufacturing tolerances. 4) Cable / chain can be shortened during installation. Longer cable / chain lengths available on request. 5) Additional color finishes may be available on request. 6) Twisted cable is not available for UL wired products. Round cable in black or brown only is supplied instead. 7) Refer to our website for a full list of terms and conditions.





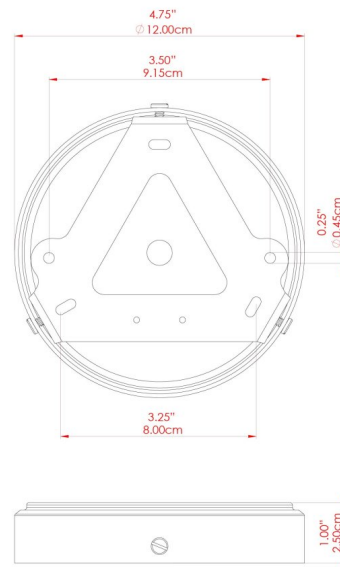
VENICE Pendant

MLP459ANTSLVFR Antique Silver



| | |
|---------------------------|---|
| MATERIAL | Brass Aluminium |
| HEIGHT | 7.5" |
| WIDTH DIAMETER | 6.75" |
| LENGTH PROJECTION | n/a |
| WEIGHT | 0.88 kg 2 lbs |
| LAMPHOLDER | E26 |
| MAX WATTAGE | 40W |
| VOLTAGE | 110/120v |
| ENVIRONMENTAL RATING | Dry Location (IP20) |
| CLASS PROTECTION | Class I |
| SHADE | GL180 |
| FLEX BAR CHAIN LENGTH | 40" |
| CABLE TYPE | MLCA028 Black Fabric Braided Cable 2 Core Round |

FIXING BRACKET: MLROSE39 | Antique Silver

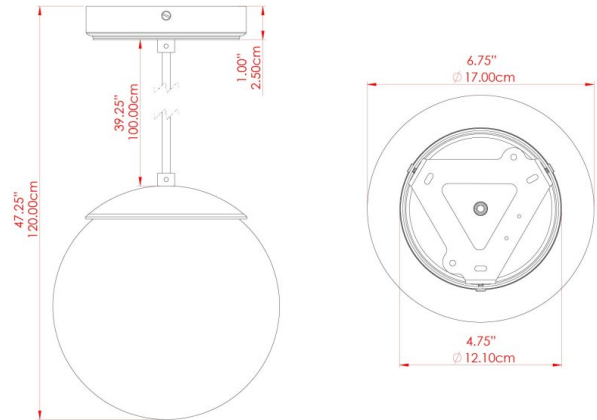


Product Notes:
 1) Bulbs not included. 2) Dimensions do not include bulbs. 3) All products are individually made-to-order and therefore may differ slightly within manufacturing tolerances. 4) Cable / chain can be shortened during installation. Longer cable / chain lengths available on request. 5) Additional color finishes may be available on request. 6) Twisted cable is not available for UL wired products. Round cable in black or brown only is supplied instead. 7) Refer to our website for a full list of terms and conditions.



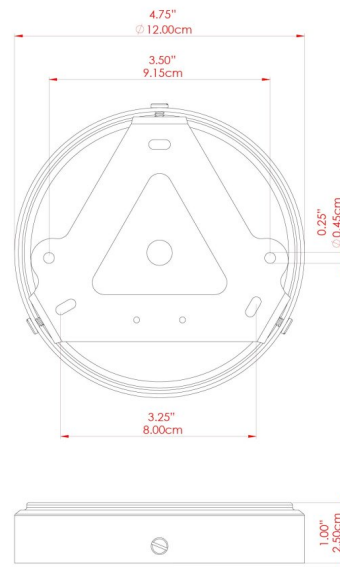
VENICE Pendant

MLP459ANTSLVSM Antique Silver



| | |
|---------------------------|---|
| MATERIAL | Brass Glass |
| HEIGHT | 7.5" |
| WIDTH DIAMETER | 6.75" |
| LENGTH PROJECTION | n/a |
| WEIGHT | 0.88 kg 2 lbs |
| LAMPHOLDER | E26 |
| MAX WATTAGE | 40W |
| VOLTAGE | 110/120v |
| ENVIRONMENTAL RATING | Dry Location (IP20) |
| CLASS PROTECTION | Class I |
| SHADE | GL183 |
| FLEX BAR CHAIN LENGTH | 40" |
| CABLE TYPE | MLCA028 Black Fabric Braided Cable 2 Core Round |

FIXING BRACKET: MLROSE39 | Antique Silver

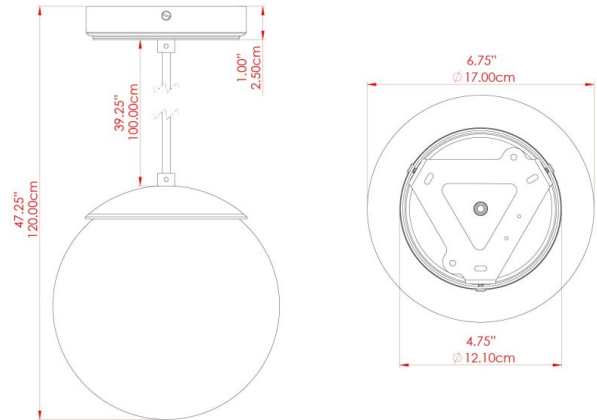


Product Notes:
 1) Bulbs not included. 2) Dimensions do not include bulbs. 3) All products are individually made-to-order and therefore may differ slightly within manufacturing tolerances. 4) Cable / chain can be shortened during installation. Longer cable / chain lengths available on request. 5) Additional color finishes may be available on request. 6) Twisted cable is not available for UL wired products. Round cable in black or brown only is supplied instead. 7) Refer to our website for a full list of terms and conditions.



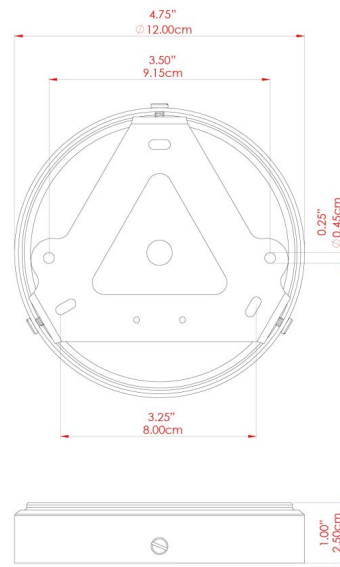
VENICE Pendant

MLP459PCMBKCL Matt Black



| | |
|---------------------------|---|
| MATERIAL | Brass Aluminium |
| HEIGHT | 7.5" |
| WIDTH DIAMETER | 6.75" |
| LENGTH PROJECTION | n/a |
| WEIGHT | 0.88 kg 2 lbs |
| LAMPHOLDER | E26 |
| MAX WATTAGE | 40W |
| VOLTAGE | 110/120v |
| ENVIRONMENTAL RATING | Dry Location (IP20) |
| CLASS PROTECTION | Class I |
| SHADE | GL179 |
| FLEX BAR CHAIN LENGTH | 40" |
| CABLE TYPE | MLCA028 Black Fabric Braided Cable 2 Core Round |

FIXING BRACKET: MLROSE39 | Matt Black

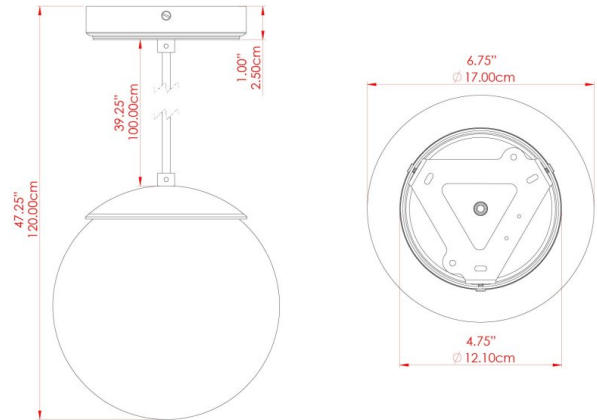


Product Notes:
 1) Bulbs not included. 2) Dimensions do not include bulbs. 3) All products are individually made-to-order and therefore may differ slightly within manufacturing tolerances. 4) Cable / chain can be shortened during installation. Longer cable / chain lengths available on request. 5) Additional color finishes may be available on request. 6) Twisted cable is not available for UL wired products. Round cable in black or brown only is supplied instead. 7) Refer to our website for a full list of terms and conditions.



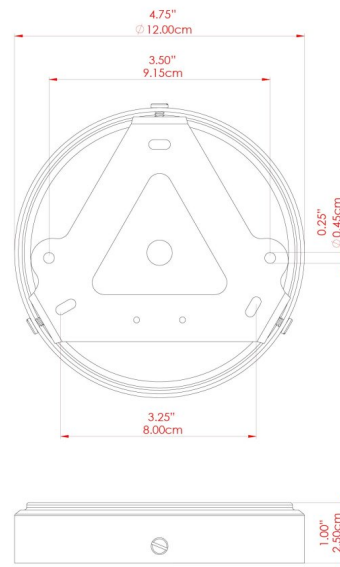
VENICE Pendant

MLP459PCMBKFR Matt Black



| | |
|---------------------------|---|
| MATERIAL | Brass Aluminium |
| HEIGHT | 7.5" |
| WIDTH DIAMETER | 6.75" |
| LENGTH PROJECTION | n/a |
| WEIGHT | 0.88 kg 2 lbs |
| LAMPHOLDER | E26 |
| MAX WATTAGE | 40W |
| VOLTAGE | 110/120v |
| ENVIRONMENTAL RATING | Dry Location (IP20) |
| CLASS PROTECTION | Class I |
| SHADE | GL180 |
| FLEX BAR CHAIN LENGTH | 40" |
| CABLE TYPE | MLCA028 Black Fabric Braided Cable 2 Core Round |

FIXING BRACKET: MLROSE39 | Matt Black

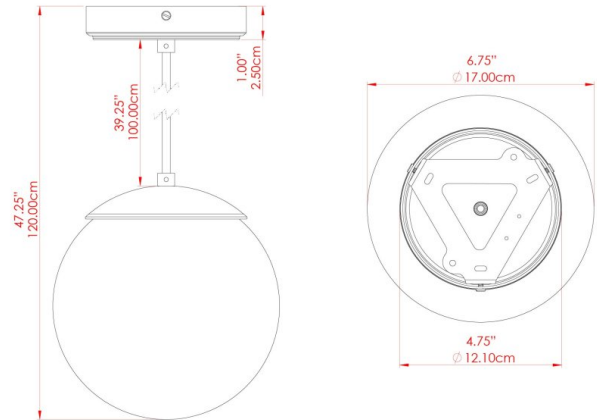


Product Notes:
 1) Bulbs not included. 2) Dimensions do not include bulbs. 3) All products are individually made-to-order and therefore may differ slightly within manufacturing tolerances. 4) Cable / chain can be shortened during installation. Longer cable / chain lengths available on request. 5) Additional color finishes may be available on request. 6) Twisted cable is not available for UL wired products. Round cable in black or brown only is supplied instead. 7) Refer to our website for a full list of terms and conditions.



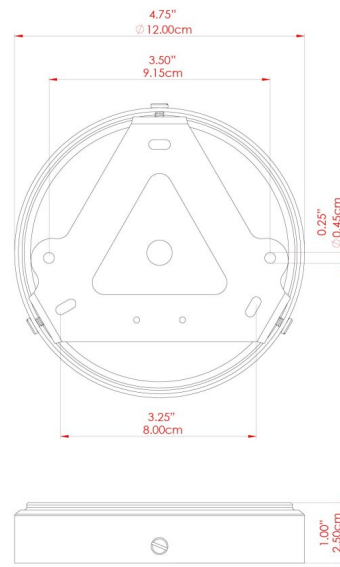
VENICE Pendant

MLP459PCMBKSM Matt Black



| | |
|---------------------------|---|
| MATERIAL | Brass Glass Aluminium |
| HEIGHT | 7.5" |
| WIDTH DIAMETER | 6.75" |
| LENGTH PROJECTION | n/a |
| WEIGHT | 0.88 kg 2 lbs |
| LAMPHOLDER | E26 |
| MAX WATTAGE | 40W |
| VOLTAGE | 110/120v |
| ENVIRONMENTAL RATING | Dry Location (IP20) |
| CLASS PROTECTION | Class I |
| SHADE | GL183 |
| FLEX BAR CHAIN LENGTH | 40" |
| CABLE TYPE | MLCA028 Black Fabric Braided Cable 2 Core Round |

FIXING BRACKET: MLROSE39 | Matt Black

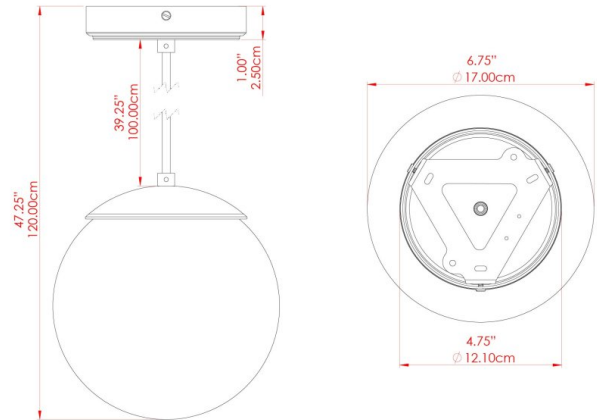


Product Notes:
 1) Bulbs not included. 2) Dimensions do not include bulbs. 3) All products are individually made-to-order and therefore may differ slightly within manufacturing tolerances. 4) Cable / chain can be shortened during installation. Longer cable / chain lengths available on request. 5) Additional color finishes may be available on request. 6) Twisted cable is not available for UL wired products. Round cable in black or brown only is supplied instead. 7) Refer to our website for a full list of terms and conditions.



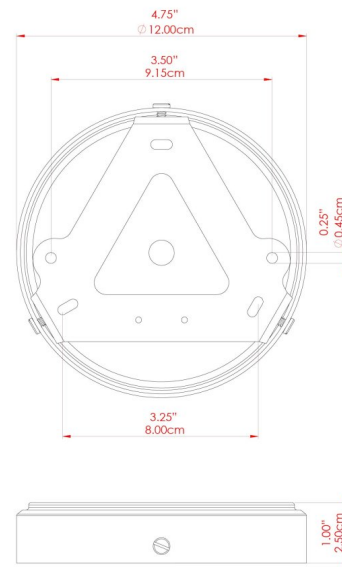
VENICE Pendant

MLP459PCWTECL White



| | |
|---------------------------|---|
| MATERIAL | Brass Aluminium |
| HEIGHT | 7.5" |
| WIDTH DIAMETER | 6.75" |
| LENGTH PROJECTION | n/a |
| WEIGHT | 0.88 kg 2 lbs |
| LAMPHOLDER | E26 |
| MAX WATTAGE | 40W |
| VOLTAGE | 110/120v |
| ENVIRONMENTAL RATING | Dry Location (IP20) |
| CLASS PROTECTION | Class I |
| SHADE | GL179 |
| FLEX BAR CHAIN LENGTH | 40" |
| CABLE TYPE | MLCA028 Black Fabric Braided Cable 2 Core Round |

FIXING BRACKET: MLROSE39 | White

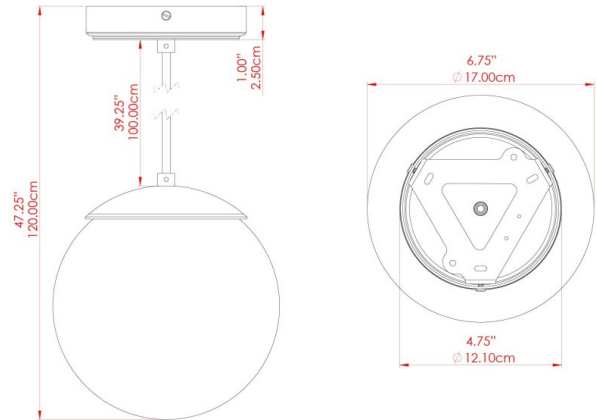


Product Notes:
 1) Bulbs not included. 2) Dimensions do not include bulbs. 3) All products are individually made-to-order and therefore may differ slightly within manufacturing tolerances. 4) Cable / chain can be shortened during installation. Longer cable / chain lengths available on request. 5) Additional color finishes may be available on request. 6) Twisted cable is not available for UL wired products. Round cable in black or brown only is supplied instead. 7) Refer to our website for a full list of terms and conditions.



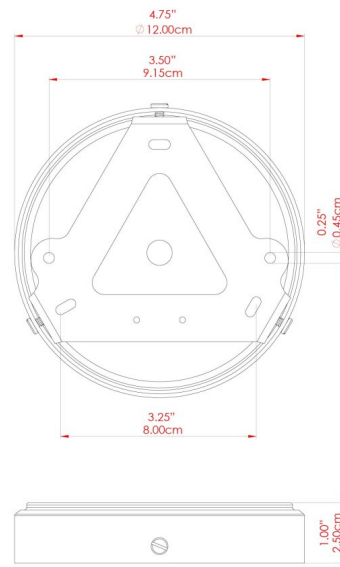
VENICE Pendant

MLP459PCWTEFR White



| | |
|---------------------------|---|
| MATERIAL | Brass Aluminium |
| HEIGHT | 7.5" |
| WIDTH DIAMETER | 6.75" |
| LENGTH PROJECTION | n/a |
| WEIGHT | 0.88 kg 2 lbs |
| LAMPHOLDER | E26 |
| MAX WATTAGE | 40W |
| VOLTAGE | 110/120v |
| ENVIRONMENTAL RATING | Dry Location (IP20) |
| CLASS PROTECTION | Class I |
| SHADE | GL180 |
| FLEX BAR CHAIN LENGTH | 40" |
| CABLE TYPE | MLCA028 Black Fabric Braided Cable 2 Core Round |

FIXING BRACKET: MLROSE39 | White

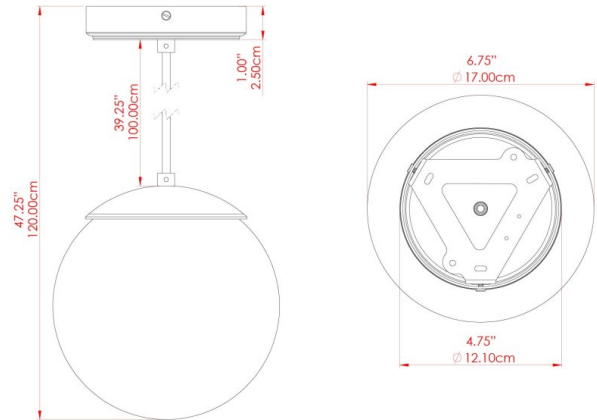


Product Notes:
 1) Bulbs not included. 2) Dimensions do not include bulbs. 3) All products are individually made-to-order and therefore may differ slightly within manufacturing tolerances. 4) Cable / chain can be shortened during installation. Longer cable / chain lengths available on request. 5) Additional color finishes may be available on request. 6) Twisted cable is not available for UL wired products. Round cable in black or brown only is supplied instead. 7) Refer to our website for a full list of terms and conditions.



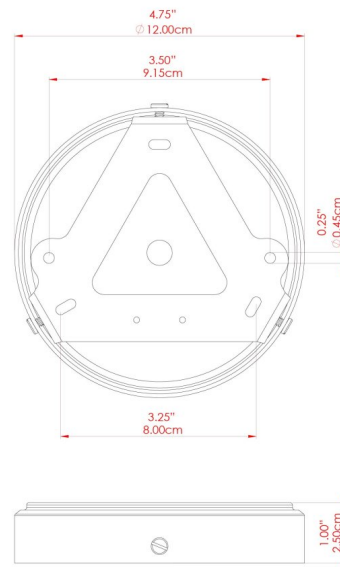
VENICE Pendant

MLP459PCWTESM White



| | |
|---------------------------|---|
| MATERIAL | Brass Glass Aluminium |
| HEIGHT | 7.5" |
| WIDTH DIAMETER | 6.75" |
| LENGTH PROJECTION | n/a |
| WEIGHT | 0.88 kg 2 lbs |
| LAMPHOLDER | E26 |
| MAX WATTAGE | 40W |
| VOLTAGE | 110/120v |
| ENVIRONMENTAL RATING | Dry Location (IP20) |
| CLASS PROTECTION | Class I |
| SHADE | GL183 |
| FLEX BAR CHAIN LENGTH | 40" |
| CABLE TYPE | MLCA028 Black Fabric Braided Cable 2 Core Round |

FIXING BRACKET: MLROSE39 | White

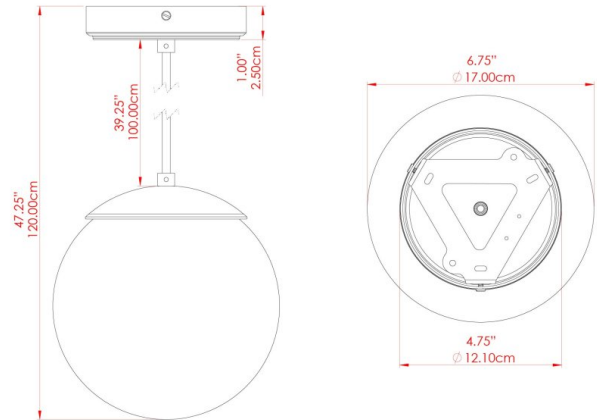


Product Notes:
 1) Bulbs not included. 2) Dimensions do not include bulbs. 3) All products are individually made-to-order and therefore may differ slightly within manufacturing tolerances. 4) Cable / chain can be shortened during installation. Longer cable / chain lengths available on request. 5) Additional color finishes may be available on request. 6) Twisted cable is not available for UL wired products. Round cable in black or brown only is supplied instead. 7) Refer to our website for a full list of terms and conditions.



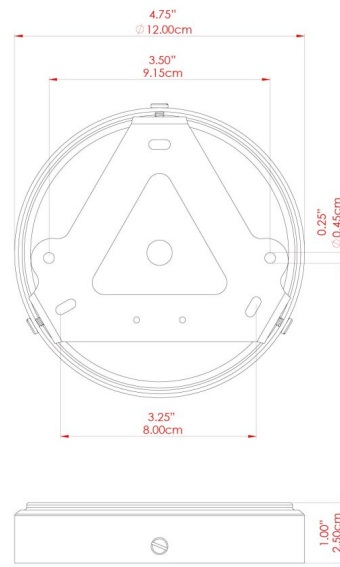
VENICE Pendant

MLP459POLBRSCS Polished Brass



| | |
|---------------------------|---|
| MATERIAL | Brass Aluminium |
| HEIGHT | 7.5" |
| WIDTH DIAMETER | 6.75" |
| LENGTH PROJECTION | n/a |
| WEIGHT | 0.88 kg 2 lbs |
| LAMPHOLDER | E26 |
| MAX WATTAGE | 40W |
| VOLTAGE | 110/120v |
| ENVIRONMENTAL RATING | Dry Location (IP20) |
| CLASS PROTECTION | Class I |
| SHADE | GL179 |
| FLEX BAR CHAIN LENGTH | 40" |
| CABLE TYPE | MLCA028 Black Fabric Braided Cable 2 Core Round |

FIXING BRACKET: MLROSE39 | Polished Brass



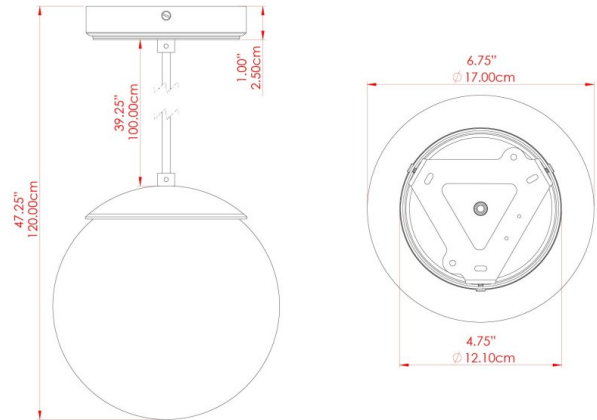
Product Notes:
 1) Bulbs not included. 2) Dimensions do not include bulbs. 3) All products are individually made-to-order and therefore may differ slightly within manufacturing tolerances. 4) Cable / chain can be shortened during installation. Longer cable / chain lengths available on request. 5) Additional color finishes may be available on request. 6) Twisted cable is not available for UL wired products. Round cable in black or brown only is supplied instead. 7) Refer to our website for a full list of terms and conditions.





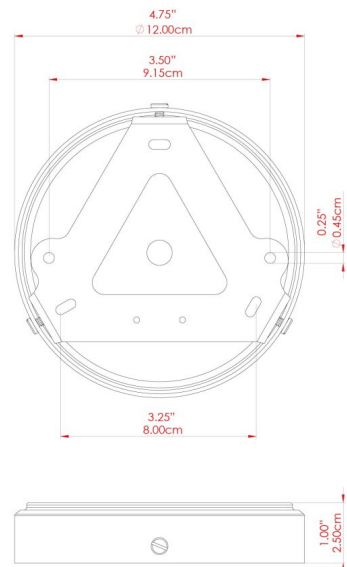
VENICE Pendant

MLP459POLBRSFR Polished Brass



| | |
|---------------------------|---|
| MATERIAL | Brass Aluminium |
| HEIGHT | 7.5" |
| WIDTH DIAMETER | 6.75" |
| LENGTH PROJECTION | n/a |
| WEIGHT | 0.88 kg 2 lbs |
| LAMPHOLDER | E26 |
| MAX WATTAGE | 40W |
| VOLTAGE | 110/120v |
| ENVIRONMENTAL RATING | Dry Location (IP20) |
| CLASS PROTECTION | Class I |
| SHADE | GL180 |
| FLEX BAR CHAIN LENGTH | 40" |
| CABLE TYPE | MLCA028 Black Fabric Braided Cable 2 Core Round |

FIXING BRACKET: MLROSE39 | Polished Brass



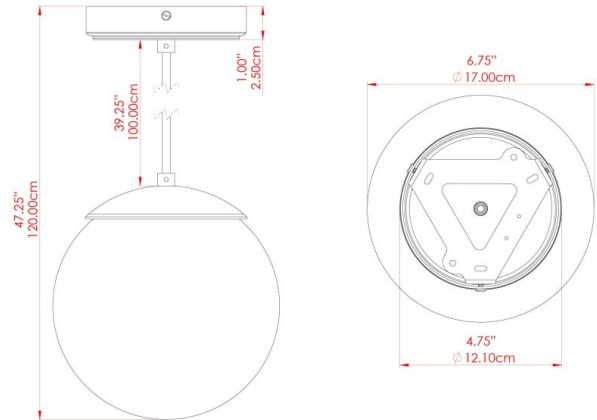
Product Notes:
1) Bulbs not included. 2) Dimensions do not include bulbs. 3) All products are individually made-to-order and therefore may differ slightly within manufacturing tolerances. 4) Cable / chain can be shortened during installation. Longer cable / chain lengths available on request. 5) Additional color finishes may be available on request. 6) Twisted cable is not available for UL wired products. Round cable in black or brown only is supplied instead. 7) Refer to our website for a full list of terms and conditions.





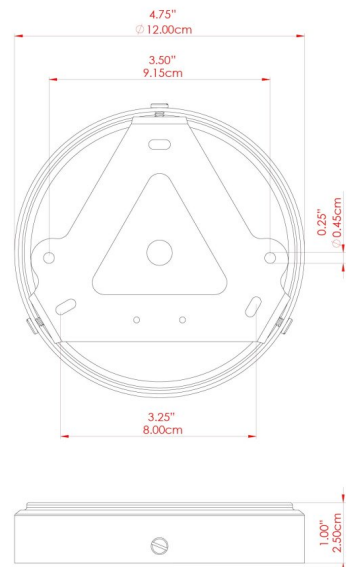
VENICE Pendant

MLP459POLBRSSM Polished Brass



| | |
|---------------------------|---|
| MATERIAL | Brass Glass |
| HEIGHT | 7.5" |
| WIDTH DIAMETER | 6.75" |
| LENGTH PROJECTION | n/a |
| WEIGHT | 0.88 kg 2 lbs |
| LAMPHOLDER | E26 |
| MAX WATTAGE | 40W |
| VOLTAGE | 110/120v |
| ENVIRONMENTAL RATING | Dry Location (IP20) |
| CLASS PROTECTION | Class I |
| SHADE | GL183 |
| FLEX BAR CHAIN LENGTH | 40" |
| CABLE TYPE | MLCA028 Black Fabric Braided Cable 2 Core Round |

FIXING BRACKET: MLROSE39 | Polished Brass

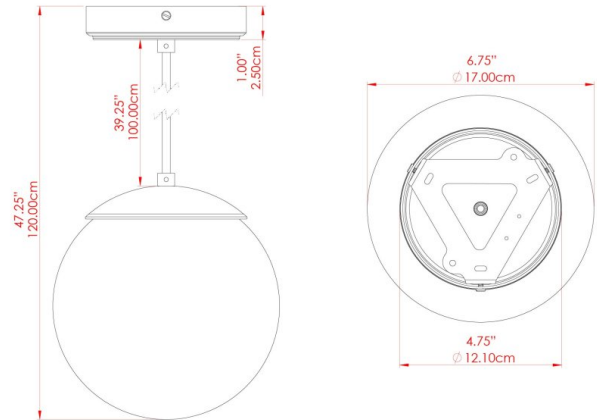


Product Notes:
1) Bulbs not included. 2) Dimensions do not include bulbs. 3) All products are individually made-to-order and therefore may differ slightly within manufacturing tolerances. 4) Cable / chain can be shortened during installation. Longer cable / chain lengths available on request. 5) Additional color finishes may be available on request. 6) Twisted cable is not available for UL wired products. Round cable in black or brown only is supplied instead. 7) Refer to our website for a full list of terms and conditions.



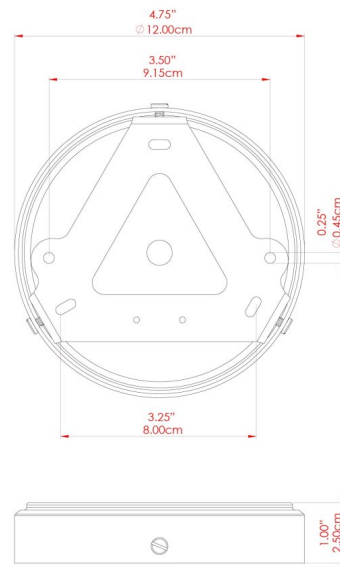
VENICE Pendant

MLP459SATBRSL Satin Brass



| | |
|---------------------------|---|
| MATERIAL | Brass Aluminium |
| HEIGHT | 7.5" |
| WIDTH DIAMETER | 6.75" |
| LENGTH PROJECTION | n/a |
| WEIGHT | 0.88 kg 2 lbs |
| LAMPHOLDER | E26 |
| MAX WATTAGE | 40W |
| VOLTAGE | 110/120v |
| ENVIRONMENTAL RATING | Dry Location (IP20) |
| CLASS PROTECTION | Class I |
| SHADE | GL179 |
| FLEX BAR CHAIN LENGTH | 40" |
| CABLE TYPE | MLCA028 Black Fabric Braided Cable 2 Core Round |

FIXING BRACKET: MLROSE39 | Satin Brass

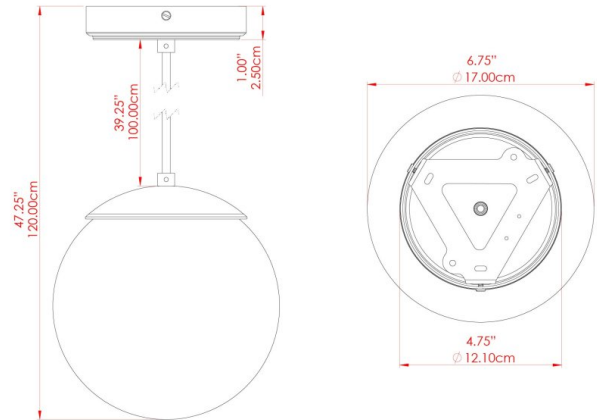


Product Notes:
 1) Bulbs not included. 2) Dimensions do not include bulbs. 3) All products are individually made-to-order and therefore may differ slightly within manufacturing tolerances. 4) Cable / chain can be shortened during installation. Longer cable / chain lengths available on request. 5) Additional color finishes may be available on request. 6) Twisted cable is not available for UL wired products. Round cable in black or brown only is supplied instead. 7) Refer to our website for a full list of terms and conditions.



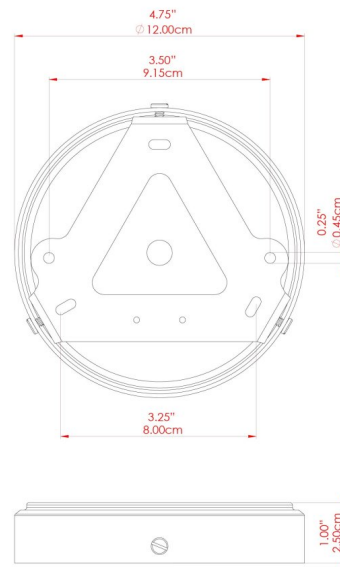
VENICE Pendant

MLP459SATBRSFR Satin Brass



| | |
|---------------------------|---|
| MATERIAL | Brass Aluminium |
| HEIGHT | 7.5" |
| WIDTH DIAMETER | 6.75" |
| LENGTH PROJECTION | n/a |
| WEIGHT | 0.88 kg 2 lbs |
| LAMPHOLDER | E26 |
| MAX WATTAGE | 40W |
| VOLTAGE | 110/120v |
| ENVIRONMENTAL RATING | Dry Location (IP20) |
| CLASS PROTECTION | Class I |
| SHADE | GL180 |
| FLEX BAR CHAIN LENGTH | 40" |
| CABLE TYPE | MLCA028 Black Fabric Braided Cable 2 Core Round |

FIXING BRACKET: MLROSE39 | Satin Brass



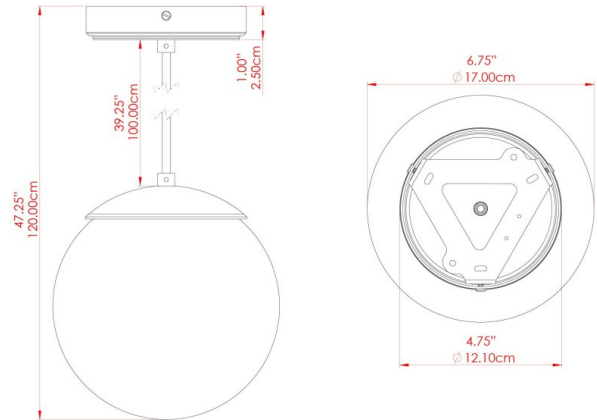
Product Notes:
 1) Bulbs not included. 2) Dimensions do not include bulbs. 3) All products are individually made-to-order and therefore may differ slightly within manufacturing tolerances. 4) Cable / chain can be shortened during installation. Longer cable / chain lengths available on request. 5) Additional color finishes may be available on request. 6) Twisted cable is not available for UL wired products. Round cable in black or brown only is supplied instead. 7) Refer to our website for a full list of terms and conditions.





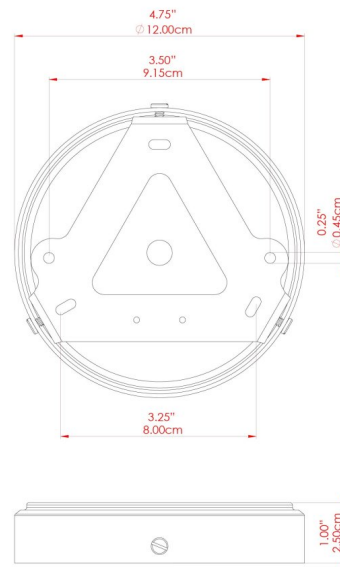
VENICE Pendant

MLP459SATBRSSM Satin Brass



| | |
|---------------------------|---|
| MATERIAL | Brass Glass |
| HEIGHT | 7.5" |
| WIDTH DIAMETER | 6.75" |
| LENGTH PROJECTION | n/a |
| WEIGHT | 0.88 kg 2 lbs |
| LAMPHOLDER | E26 |
| MAX WATTAGE | 40W |
| VOLTAGE | 110/120v |
| ENVIRONMENTAL RATING | Dry Location (IP20) |
| CLASS PROTECTION | Class I |
| SHADE | GL183 |
| FLEX BAR CHAIN LENGTH | 40" |
| CABLE TYPE | MLCA028 Black Fabric Braided Cable 2 Core Round |

FIXING BRACKET: MLROSE39 | Satin Brass



Product Notes:
 1) Bulbs not included. 2) Dimensions do not include bulbs. 3) All products are individually made-to-order and therefore may differ slightly within manufacturing tolerances. 4) Cable / chain can be shortened during installation. Longer cable / chain lengths available on request. 5) Additional color finishes may be available on request. 6) Twisted cable is not available for UL wired products. Round cable in black or brown only is supplied instead. 7) Refer to our website for a full list of terms and conditions.

