

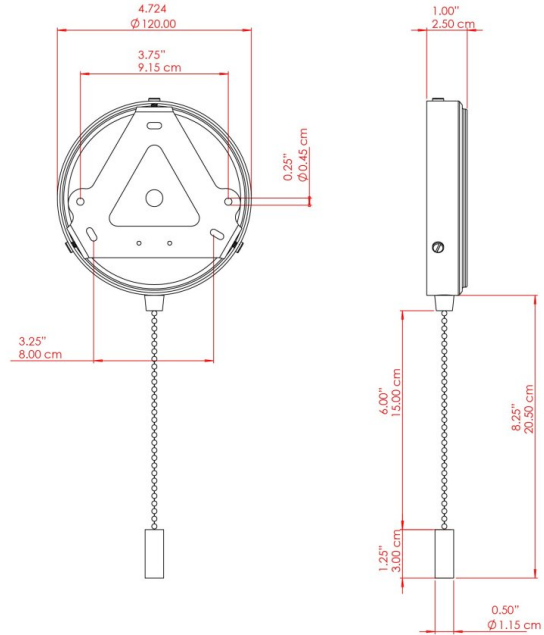
MATERIAL	Brass
HEIGHT	1"
WIDTH DIAMETER	4.75"
LENGTH PROJECTION	n/a
WEIGHT	0.44 kg 1 lbs
LAMPHOLDER	
MAX WATTAGE	
VOLTAGE	110/120v
ENVIRONMENTAL RATING	Dry Location (IP20)
CLASS PROTECTION	Class I
SHADE	
FLEX BAR CHAIN LENGTH	n/a
CABLE TYPE	

FIXING BRACKET:



Product Notes:
 1) Bulbs not included. 2) Dimensions do not include bulbs. 3) All products are individually made-to-order and therefore may differ slightly within manufacturing tolerances. 4) Cable / chain can be shortened during installation. Longer cable / chain lengths available on request. 5) Additional color finishes may be available on request. 6) Twisted cable is not available for UL wired products. Round cable in black or brown only is supplied instead. 7) Refer to our website for a full list of terms and conditions.





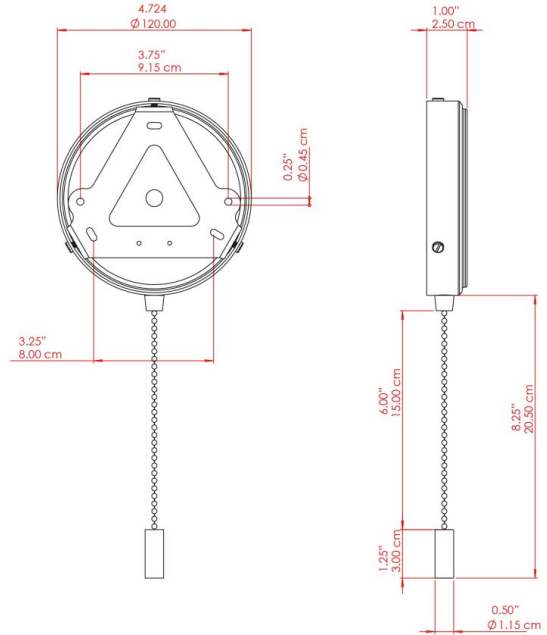
MATERIAL	Brass
HEIGHT	1"
WIDTH DIAMETER	4.75"
LENGTH PROJECTION	n/a
WEIGHT	0.44 kg 1 lbs
LAMPHOLDER	
MAX WATTAGE	
VOLTAGE	110/120v
ENVIRONMENTAL RATING	Dry Location (IP20)
CLASS PROTECTION	Class I
SHADE	
FLEX BAR CHAIN LENGTH	n/a
CABLE TYPE	

FIXING BRACKET:



Product Notes:
 1) Bulbs not included. 2) Dimensions do not include bulbs. 3) All products are individually made-to-order and therefore may differ slightly within manufacturing tolerances. 4) Cable / chain can be shortened during installation. Longer cable / chain lengths available on request. 5) Additional color finishes may be available on request. 6) Twisted cable is not available for UL wired products. Round cable in black or brown only is supplied instead. 7) Refer to our website for a full list of terms and conditions.





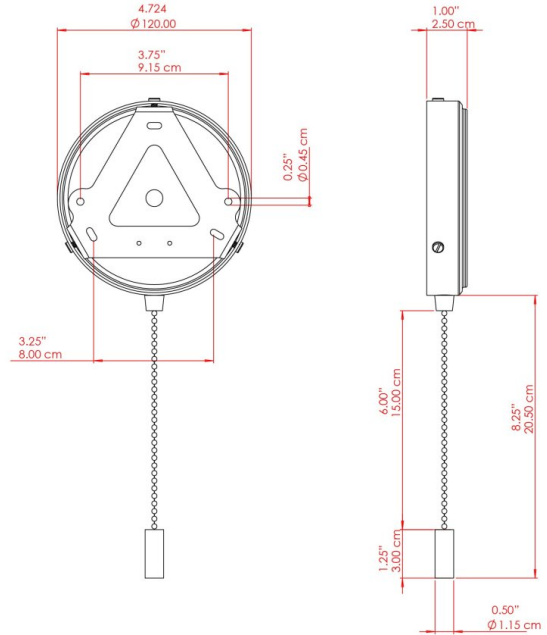
MATERIAL	Brass
HEIGHT	1"
WIDTH DIAMETER	4.75"
LENGTH PROJECTION	n/a
WEIGHT	0.44 kg 1 lbs
LAMPHOLDER	
MAX WATTAGE	
VOLTAGE	110/120v
ENVIRONMENTAL RATING	Dry Location (IP20)
CLASS PROTECTION	Class I
SHADE	
FLEX BAR CHAIN LENGTH	n/a
CABLE TYPE	

FIXING BRACKET:



Product Notes:
 1) Bulbs not included. 2) Dimensions do not include bulbs. 3) All products are individually made-to-order and therefore may differ slightly within manufacturing tolerances. 4) Cable / chain can be shortened during installation. Longer cable / chain lengths available on request. 5) Additional color finishes may be available on request. 6) Twisted cable is not available for UL wired products. Round cable in black or brown only is supplied instead. 7) Refer to our website for a full list of terms and conditions.





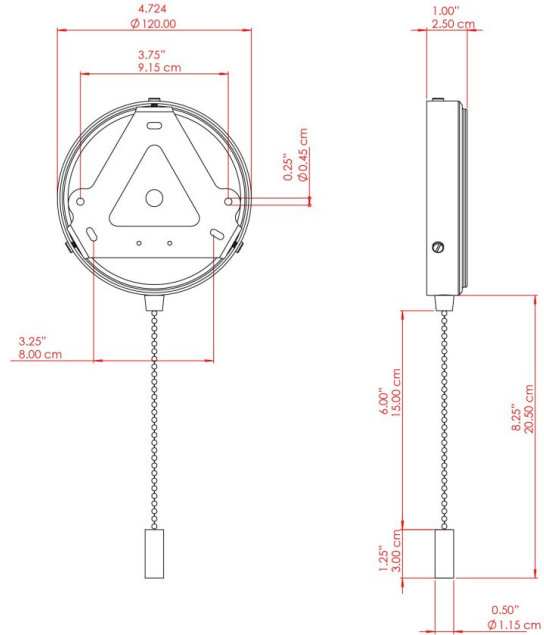
MATERIAL	Brass
HEIGHT	1"
WIDTH DIAMETER	4.75"
LENGTH PROJECTION	n/a
WEIGHT	0.44 kg 1 lbs
LAMPHOLDER	
MAX WATTAGE	
VOLTAGE	110/120v
ENVIRONMENTAL RATING	Dry Location (IP20)
CLASS PROTECTION	Class I
SHADE	
FLEX BAR CHAIN LENGTH	n/a
CABLE TYPE	

FIXING BRACKET:



Product Notes:
 1) Bulbs not included. 2) Dimensions do not include bulbs. 3) All products are individually made-to-order and therefore may differ slightly within manufacturing tolerances. 4) Cable / chain can be shortened during installation. Longer cable / chain lengths available on request. 5) Additional color finishes may be available on request. 6) Twisted cable is not available for UL wired products. Round cable in black or brown only is supplied instead. 7) Refer to our website for a full list of terms and conditions.





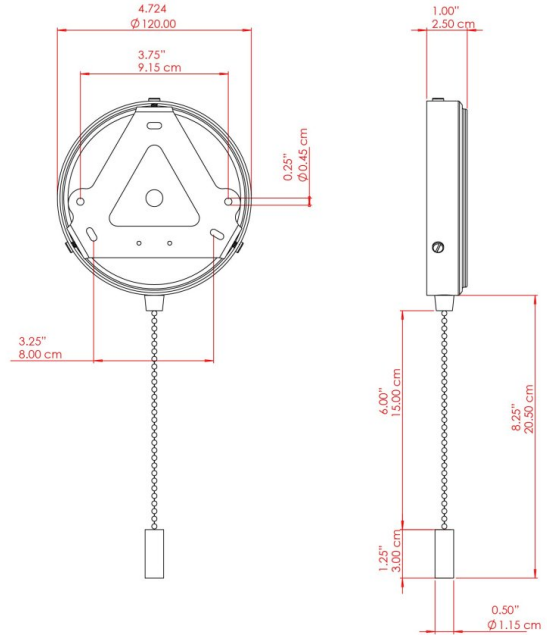
MATERIAL	Brass
HEIGHT	1"
WIDTH DIAMETER	4.75"
LENGTH PROJECTION	n/a
WEIGHT	0.44 kg 1 lbs
LAMPHOLDER	
MAX WATTAGE	
VOLTAGE	110/120v
ENVIRONMENTAL RATING	Dry Location (IP20)
CLASS PROTECTION	Class I
SHADE	
FLEX BAR CHAIN LENGTH	n/a
CABLE TYPE	

FIXING BRACKET:



Product Notes:
 1) Bulbs not included. 2) Dimensions do not include bulbs. 3) All products are individually made-to-order and therefore may differ slightly within manufacturing tolerances. 4) Cable / chain can be shortened during installation. Longer cable / chain lengths available on request. 5) Additional color finishes may be available on request. 6) Twisted cable is not available for UL wired products. Round cable in black or brown only is supplied instead. 7) Refer to our website for a full list of terms and conditions.





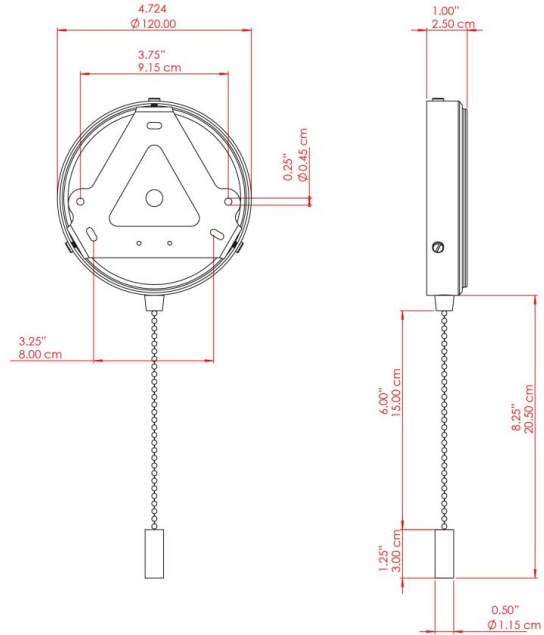
MATERIAL	Brass
HEIGHT	1"
WIDTH DIAMETER	4.75"
LENGTH PROJECTION	n/a
WEIGHT	0.44 kg 1 lbs
LAMPHOLDER	
MAX WATTAGE	
VOLTAGE	110/120v
ENVIRONMENTAL RATING	Dry Location (IP20)
CLASS PROTECTION	Class I
SHADE	
FLEX BAR CHAIN LENGTH	n/a
CABLE TYPE	

FIXING BRACKET:



Product Notes:
 1) Bulbs not included. 2) Dimensions do not include bulbs. 3) All products are individually made-to-order and therefore may differ slightly within manufacturing tolerances. 4) Cable / chain can be shortened during installation. Longer cable / chain lengths available on request. 5) Additional color finishes may be available on request. 6) Twisted cable is not available for UL wired products. Round cable in black or brown only is supplied instead. 7) Refer to our website for a full list of terms and conditions.





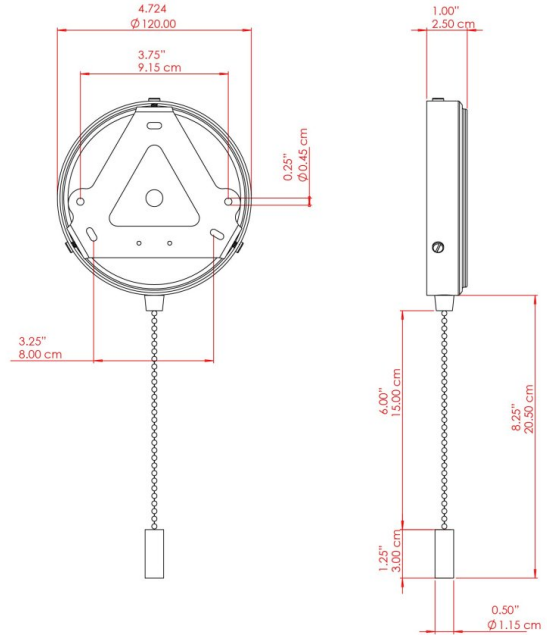
MATERIAL	Brass
HEIGHT	1"
WIDTH DIAMETER	4.75"
LENGTH PROJECTION	n/a
WEIGHT	0.44 kg 1 lbs
LAMPHOLDER	
MAX WATTAGE	
VOLTAGE	110/120v
ENVIRONMENTAL RATING	Dry Location (IP20)
CLASS PROTECTION	Class I
SHADE	
FLEX BAR CHAIN LENGTH	n/a
CABLE TYPE	

FIXING BRACKET:



Product Notes:
 1) Bulbs not included. 2) Dimensions do not include bulbs. 3) All products are individually made-to-order and therefore may differ slightly within manufacturing tolerances. 4) Cable / chain can be shortened during installation. Longer cable / chain lengths available on request. 5) Additional color finishes may be available on request. 6) Twisted cable is not available for UL wired products. Round cable in black or brown only is supplied instead. 7) Refer to our website for a full list of terms and conditions.





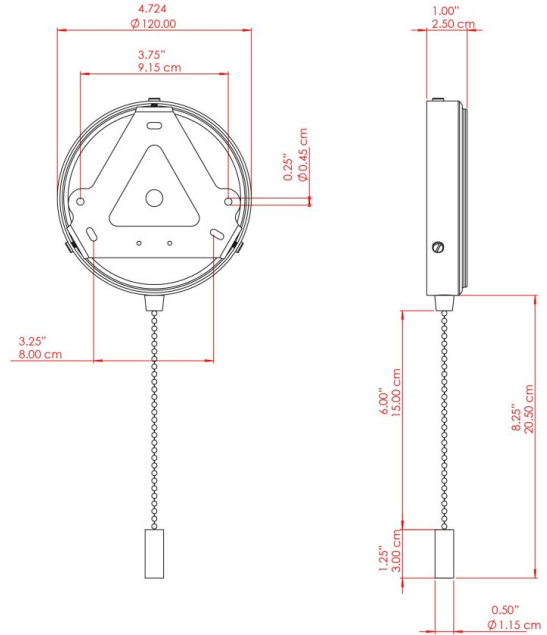
MATERIAL	Brass
HEIGHT	1"
WIDTH DIAMETER	4.75"
LENGTH PROJECTION	n/a
WEIGHT	0.44 kg 1 lbs
LAMPHOLDER	
MAX WATTAGE	
VOLTAGE	110/120v
ENVIRONMENTAL RATING	Dry Location (IP20)
CLASS PROTECTION	Class I
SHADE	
FLEX BAR CHAIN LENGTH	n/a
CABLE TYPE	

FIXING BRACKET:



Product Notes:
 1) Bulbs not included. 2) Dimensions do not include bulbs. 3) All products are individually made-to-order and therefore may differ slightly within manufacturing tolerances. 4) Cable / chain can be shortened during installation. Longer cable / chain lengths available on request. 5) Additional color finishes may be available on request. 6) Twisted cable is not available for UL wired products. Round cable in black or brown only is supplied instead. 7) Refer to our website for a full list of terms and conditions.





MATERIAL	Brass
HEIGHT	1"
WIDTH DIAMETER	4.75"
LENGTH PROJECTION	n/a
WEIGHT	0.44 kg 1 lbs
LAMPHOLDER	
MAX WATTAGE	
VOLTAGE	110/120v
ENVIRONMENTAL RATING	Dry Location (IP20)
CLASS PROTECTION	Class I
SHADE	
FLEX BAR CHAIN LENGTH	n/a
CABLE TYPE	

FIXING BRACKET:



Product Notes:
 1) Bulbs not included. 2) Dimensions do not include bulbs. 3) All products are individually made-to-order and therefore may differ slightly within manufacturing tolerances. 4) Cable / chain can be shortened during installation. Longer cable / chain lengths available on request. 5) Additional color finishes may be available on request. 6) Twisted cable is not available for UL wired products. Round cable in black or brown only is supplied instead. 7) Refer to our website for a full list of terms and conditions.

