

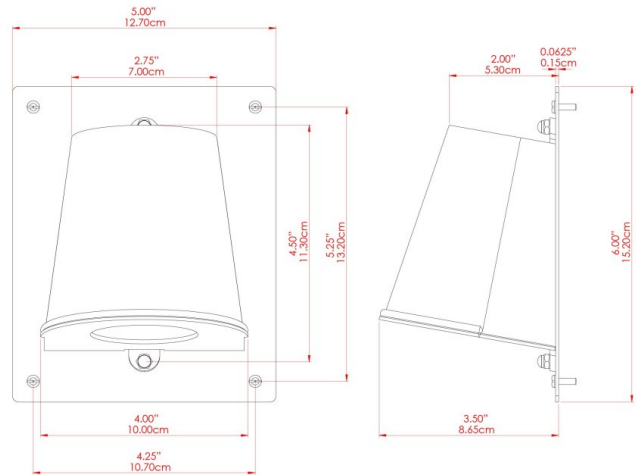
MATERIAL	Brass   Glass
HEIGHT	6"
WIDTH   DIAMETER	5"
LENGTH   PROJECTION	3.5"
WEIGHT	0.85 kg   1.8 lbs
LAMPHOLDER	GU10
MAX WATTAGE	6.5W
VOLTAGE	110/120v
ENVIRONMENTAL RATING	Wet Location (IP54)
CLASS PROTECTION	Class I
SHADE	
FLEX   BAR   CHAIN LENGTH	n/a
CABLE TYPE	

FIXING BRACKET:



Product Notes:  
 1) Bulbs not included. 2) Dimensions do not include bulbs. 3) All products are individually made-to-order and therefore may differ slightly within manufacturing tolerances. 4) Cable / chain can be shortened during installation. Longer cable / chain lengths available on request. 5) Additional color finishes may be available on request. 6) Twisted cable is not available for UL wired products. Round cable in black or brown only is supplied instead. 7) Refer to our website for a full list of terms and conditions.





MATERIAL	Brass   Glass   Steel
HEIGHT	6"
WIDTH   DIAMETER	5"
LENGTH   PROJECTION	3.5"
WEIGHT	0.85 kg   1.8 lbs
LAMPHOLDER	GU10
MAX WATTAGE	6.5W
VOLTAGE	110/120v
ENVIRONMENTAL RATING	Wet Location (IP54)
CLASS PROTECTION	Class I
SHADE	
FLEX   BAR   CHAIN LENGTH	n/a
CABLE TYPE	

FIXING BRACKET:

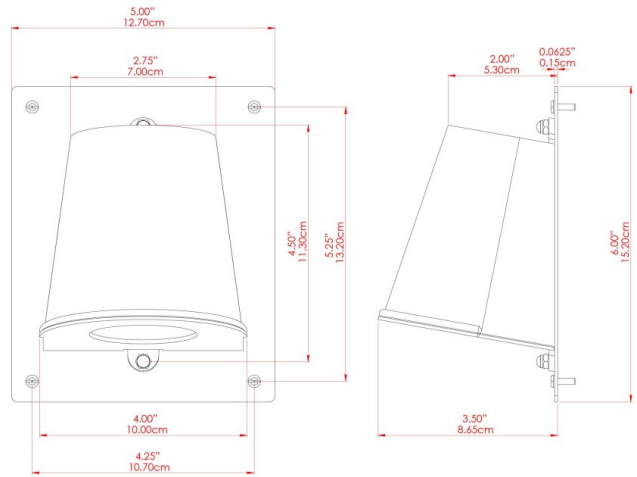


WWW.MULLANLIGHTING.COM

Product Notes:

1) Bulbs not included. 2) Dimensions do not include bulbs. 3) All products are individually made-to-order and therefore may differ slightly within manufacturing tolerances. 4) Cable / chain can be shortened during installation. Longer cable / chain lengths available on request. 5) Additional color finishes may be available on request. 6) Twisted cable is not available for UL wired products. Round cable in black or brown only is supplied instead. 7) Refer to our website for a full list of terms and conditions.





MATERIAL	Brass   Glass
HEIGHT	6"
WIDTH   DIAMETER	5"
LENGTH   PROJECTION	3.5"
WEIGHT	0.85 kg   1.8 lbs
LAMPHOLDER	GU10
MAX WATTAGE	6.5W
VOLTAGE	110/120v
ENVIRONMENTAL RATING	Wet Location (IP54)
CLASS PROTECTION	Class I
SHADE	
FLEX   BAR   CHAIN LENGTH	n/a
CABLE TYPE	

FIXING BRACKET:



WWW.MULLANLIGHTING.COM

Product Notes:

1) Bulbs not included. 2) Dimensions do not include bulbs. 3) All products are individually made-to-order and therefore may differ slightly within manufacturing tolerances. 4) Cable / chain can be shortened during installation. Longer cable / chain lengths available on request. 5) Additional color finishes may be available on request. 6) Twisted cable is not available for UL wired products. Round cable in black or brown only is supplied instead. 7) Refer to our website for a full list of terms and conditions.

