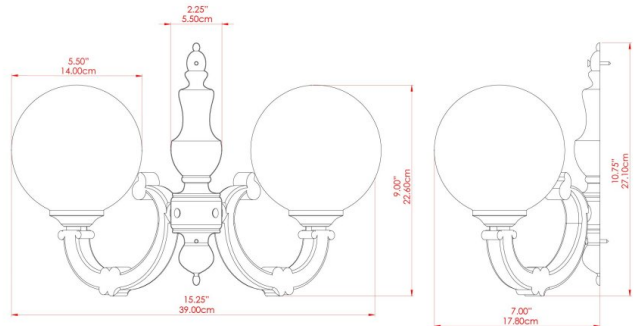


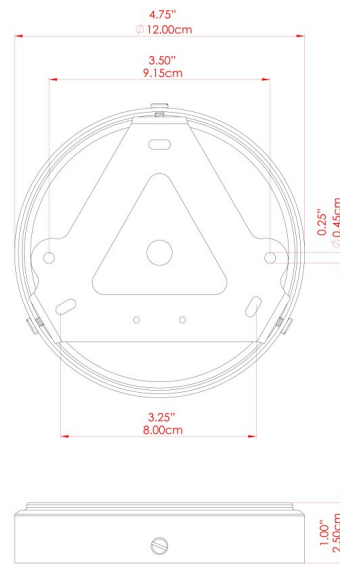
BEN Wall Light

MLWL035ANTBRS Antique Brass



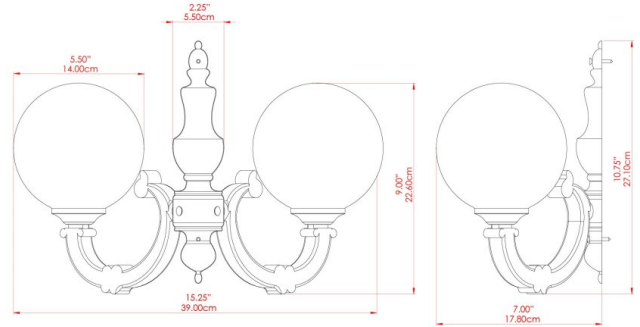
MATERIAL	Brass Glass
HEIGHT	11.75"
WIDTH DIAMETER	13"
LENGTH PROJECTION	6.75"
WEIGHT	1.3 kg 2.8 lbs
LAMPHOLDER	G9
MAX WATTAGE	6.5W
VOLTAGE	110/120v
ENVIRONMENTAL RATING	Dry Location (IP20)
CLASS PROTECTION	Class I
SHADE	GL044F x 2
FLEX BAR CHAIN LENGTH	n/a
CABLE TYPE	

FIXING BRACKET: MLWB17 | Antique Brass



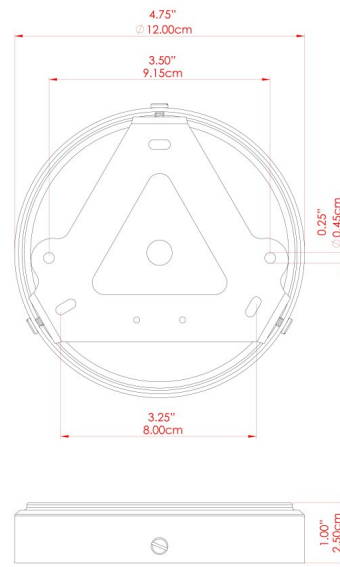
BEN Wall Light

MLWL035ANTSLV Antique Silver



MATERIAL	Brass Glass
HEIGHT	11.75"
WIDTH DIAMETER	13"
LENGTH PROJECTION	6.75"
WEIGHT	1.3 kg 2.8 lbs
LAMPHOLDER	G9
MAX WATTAGE	6.5W
VOLTAGE	110/120v
ENVIRONMENTAL RATING	Dry Location (IP20)
CLASS PROTECTION	Class I
SHADE	GL044F x 2
FLEX BAR CHAIN LENGTH	n/a
CABLE TYPE	

FIXING BRACKET: MLWB17 | Antique Silver

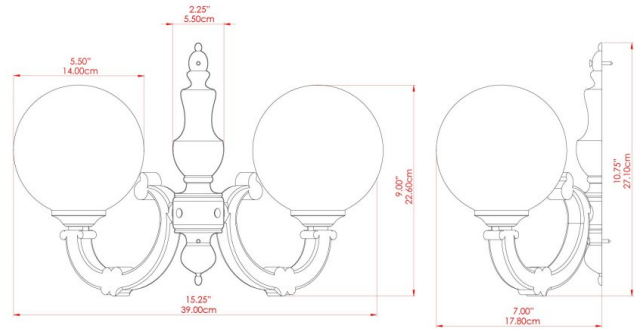


Product Notes:
 1) Bulbs not included. 2) Dimensions do not include bulbs. 3) All products are individually made-to-order and therefore may differ slightly within manufacturing tolerances. 4) Cable / chain can be shortened during installation. Longer cable / chain lengths available on request. 5) Additional color finishes may be available on request. 6) Twisted cable is not available for UL wired products. Round cable in black or brown only is supplied instead. 7) Refer to our website for a full list of terms and conditions.



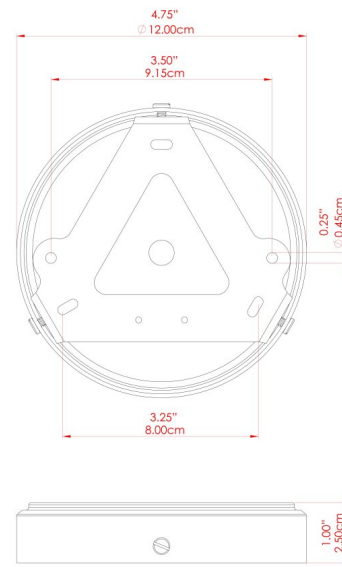
BEN Wall Light

MLWL035POLBRS Polished Brass



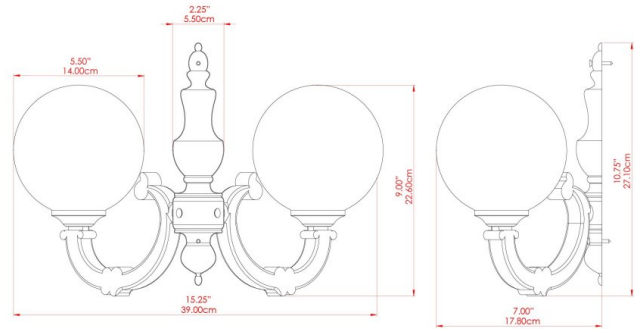
MATERIAL	Brass Glass
HEIGHT	11.75"
WIDTH DIAMETER	13"
LENGTH PROJECTION	6.75"
WEIGHT	1.3 kg 2.8 lbs
LAMPHOLDER	G9
MAX WATTAGE	6.5W
VOLTAGE	110/120v
ENVIRONMENTAL RATING	Dry Location (IP20)
CLASS PROTECTION	Class I
SHADE	GL044F x 2
FLEX BAR CHAIN LENGTH	n/a
CABLE TYPE	

FIXING BRACKET: MLWB17 | Polished Brass



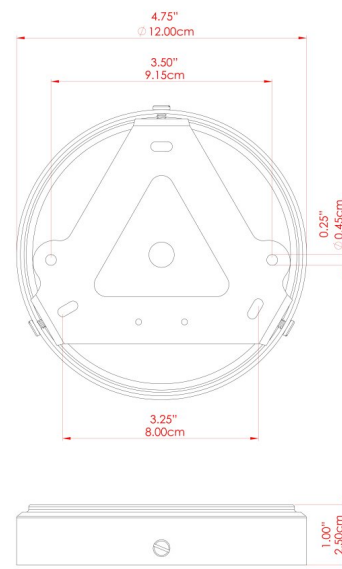
BEN Wall Light

MLWL035SATBRS Satin Brass



MATERIAL	Brass Glass
HEIGHT	11.75"
WIDTH DIAMETER	13"
LENGTH PROJECTION	6.75"
WEIGHT	1.3 kg 2.8 lbs
LAMPHOLDER	G9
MAX WATTAGE	6.5W
VOLTAGE	110/120v
ENVIRONMENTAL RATING	Dry Location (IP20)
CLASS PROTECTION	Class I
SHADE	GL044F x 2
FLEX BAR CHAIN LENGTH	n/a
CABLE TYPE	

FIXING BRACKET: MLWB17 | Satin Brass



Product Notes:
 1) Bulbs not included. 2) Dimensions do not include bulbs. 3) All products are individually made-to-order and therefore may differ slightly within manufacturing tolerances. 4) Cable / chain can be shortened during installation. Longer cable / chain lengths available on request. 5) Additional color finishes may be available on request. 6) Twisted cable is not available for UL wired products. Round cable in black or brown only is supplied instead. 7) Refer to our website for a full list of terms and conditions.

