

MATERIAL	Aluminium
HEIGHT	18"
WIDTH   DIAMETER	28.75"
LENGTH   PROJECTION	n/a
WEIGHT	4.1 kg   9 lbs
LAMPHOLDER	E26
MAX WATTAGE	60W
VOLTAGE	110/120v
ENVIRONMENTAL RATING	Dry Location (IP20)
CLASS PROTECTION	Class I
SHADE	-
FLEX   BAR   CHAIN LENGTH	40"
CABLE TYPE	MLCA029   Black Fabric Braided Cable   3 Core Round

FIXING BRACKET: MLWB11 | Black

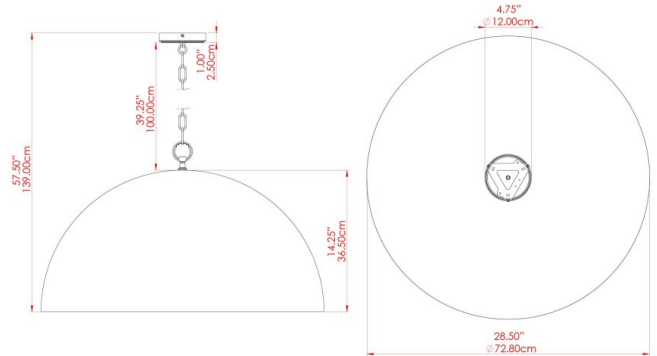


Product Notes:  
 1) Bulbs not included. 2) Dimensions do not include bulbs. 3) All products are individually made-to-order and therefore may differ slightly within manufacturing tolerances. 4) Cable / chain can be shortened during installation. Longer cable / chain lengths available on request. 5) Additional color finishes may be available on request. 6) Twisted cable is not available for UL wired products. Round cable in black or brown only is supplied instead. 7) Refer to our website for a full list of terms and conditions.



# COPENHAGEN Pendant

MLP373PCBRZ Bronze



MATERIAL	Aluminium
HEIGHT	18"
WIDTH   DIAMETER	28.75"
LENGTH   PROJECTION	n/a
WEIGHT	4.1 kg   9 lbs
LAMPHOLDER	E26
MAX WATTAGE	60W
VOLTAGE	110/120v
ENVIRONMENTAL RATING	Dry Location (IP20)
CLASS PROTECTION	Class I
SHADE	-
FLEX   BAR   CHAIN LENGTH	40"
CABLE TYPE	MLCA029   Black Fabric Braided Cable   3 Core Round

FIXING BRACKET: MLWB11 | Antique Brass



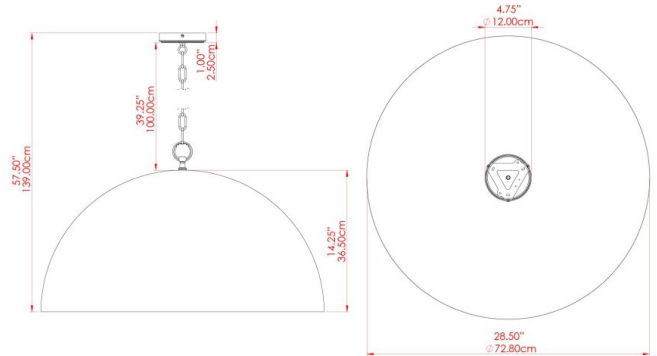
Product Notes:  
 1) Bulbs not included. 2) Dimensions do not include bulbs. 3) All products are individually made-to-order and therefore may differ slightly within manufacturing tolerances. 4) Cable / chain can be shortened during installation. Longer cable / chain lengths available on request. 5) Additional color finishes may be available on request. 6) Twisted cable is not available for UL wired products. Round cable in black or brown only is supplied instead. 7) Refer to our website for a full list of terms and conditions.





# COPENHAGEN Pendant

MLP373PCGRN Sage Green



MATERIAL	Aluminium
HEIGHT	18"
WIDTH   DIAMETER	28.75"
LENGTH   PROJECTION	n/a
WEIGHT	4.1 kg   9 lbs
LAMPHOLDER	E26
MAX WATTAGE	60W
VOLTAGE	110/120v
ENVIRONMENTAL RATING	Dry Location (IP20)
CLASS PROTECTION	Class I
SHADE	-
FLEX   BAR   CHAIN LENGTH	40"
CABLE TYPE	MLCA029   Black Fabric Braided Cable   3 Core Round

### FIXING BRACKET: MLWB11 | Sage Green

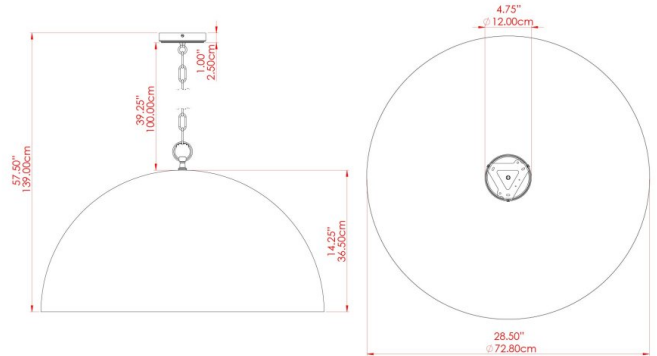


Product Notes:  
 1) Bulbs not included. 2) Dimensions do not include bulbs. 3) All products are individually made-to-order and therefore may differ slightly within manufacturing tolerances. 4) Cable / chain can be shortened during installation. Longer cable / chain lengths available on request. 5) Additional color finishes may be available on request. 6) Twisted cable is not available for UL wired products. Round cable in black or brown only is supplied instead. 7) Refer to our website for a full list of terms and conditions.



# COPENHAGEN Pendant

MLP373PCGRY Grey



MATERIAL	Aluminium
HEIGHT	18"
WIDTH   DIAMETER	28.75"
LENGTH   PROJECTION	n/a
WEIGHT	4.1 kg   9 lbs
LAMPHOLDER	E26
MAX WATTAGE	60W
VOLTAGE	110/120v
ENVIRONMENTAL RATING	Dry Location (IP20)
CLASS PROTECTION	Class I
SHADE	-
FLEX   BAR   CHAIN LENGTH	40"
CABLE TYPE	MLCA029   Black Fabric Braided Cable   3 Core Round

## FIXING BRACKET: MLWB11 | Grey



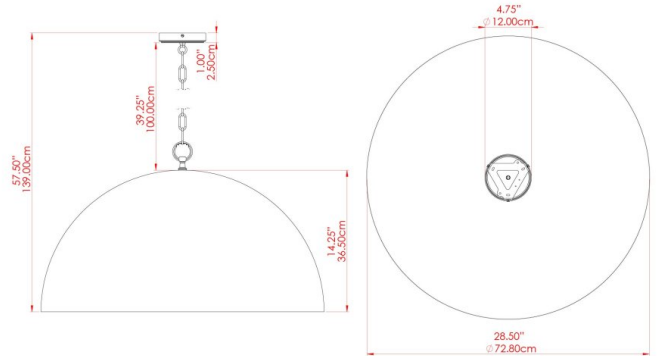
Product Notes:  
 1) Bulbs not included. 2) Dimensions do not include bulbs. 3) All products are individually made-to-order and therefore may differ slightly within manufacturing tolerances. 4) Cable / chain can be shortened during installation. Longer cable / chain lengths available on request. 5) Additional color finishes may be available on request. 6) Twisted cable is not available for UL wired products. Round cable in black or brown only is supplied instead. 7) Refer to our website for a full list of terms and conditions.





## COPENHAGEN Pendant

MLP373PCMBK Matt Black



MATERIAL	Aluminium
HEIGHT	18"
WIDTH   DIAMETER	28.75"
LENGTH   PROJECTION	n/a
WEIGHT	4.1 kg   9 lbs
LAMPHOLDER	E26
MAX WATTAGE	60W
VOLTAGE	110/120v
ENVIRONMENTAL RATING	Dry Location (IP20)
CLASS PROTECTION	Class I
SHADE	-
FLEX   BAR   CHAIN LENGTH	40"
CABLE TYPE	MLCA029   Black Fabric Braided Cable   3 Core Round

### FIXING BRACKET: MLWB11 | Matt Black

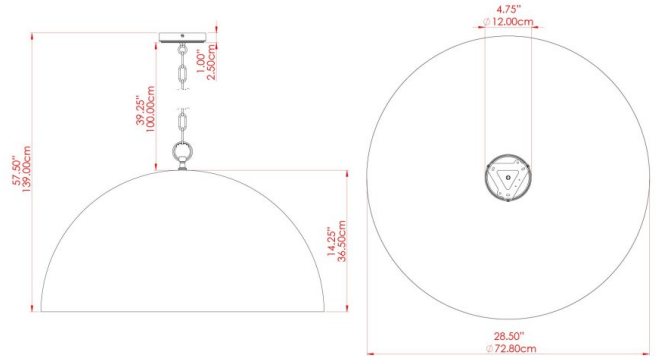


WWW.MULLANLIGHTING.COM

#### Product Notes:

1) Bulbs not included. 2) Dimensions do not include bulbs. 3) All products are individually made-to-order and therefore may differ slightly within manufacturing tolerances. 4) Cable / chain can be shortened during installation. Longer cable / chain lengths available on request. 5) Additional color finishes may be available on request. 6) Twisted cable is not available for UL wired products. Round cable in black or brown only is supplied instead. 7) Refer to our website for a full list of terms and conditions.





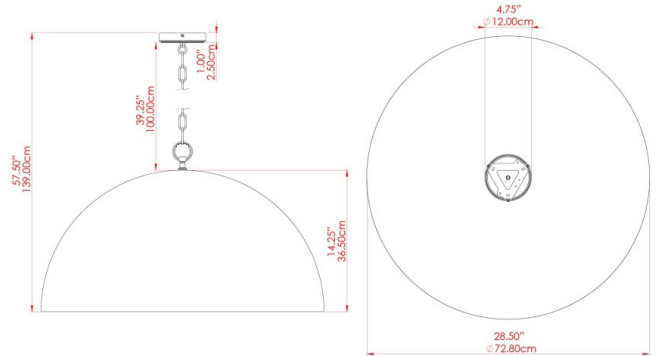
MATERIAL	Aluminium
HEIGHT	18"
WIDTH   DIAMETER	28.75"
LENGTH   PROJECTION	n/a
WEIGHT	4.1 kg   9 lbs
LAMPHOLDER	E26
MAX WATTAGE	60W
VOLTAGE	110/120v
ENVIRONMENTAL RATING	Dry Location (IP20)
CLASS PROTECTION	Class I
SHADE	-
FLEX   BAR   CHAIN LENGTH	40"
CABLE TYPE	MLCA029   Black Fabric Braided Cable   3 Core Round

FIXING BRACKET: MLWB11 | Orange



Product Notes:  
 1) Bulbs not included. 2) Dimensions do not include bulbs. 3) All products are individually made-to-order and therefore may differ slightly within manufacturing tolerances. 4) Cable / chain can be shortened during installation. Longer cable / chain lengths available on request. 5) Additional color finishes may be available on request. 6) Twisted cable is not available for UL wired products. Round cable in black or brown only is supplied instead. 7) Refer to our website for a full list of terms and conditions.





MATERIAL	Aluminium
HEIGHT	18"
WIDTH   DIAMETER	28.75"
LENGTH   PROJECTION	n/a
WEIGHT	4.1 kg   9 lbs
LAMPHOLDER	E26
MAX WATTAGE	60W
VOLTAGE	110/120v
ENVIRONMENTAL RATING	Dry Location (IP20)
CLASS PROTECTION	Class I
SHADE	-
FLEX   BAR   CHAIN LENGTH	40"
CABLE TYPE	MLCA029   Black Fabric Braided Cable   3 Core Round

FIXING BRACKET: MLWB11 | Red



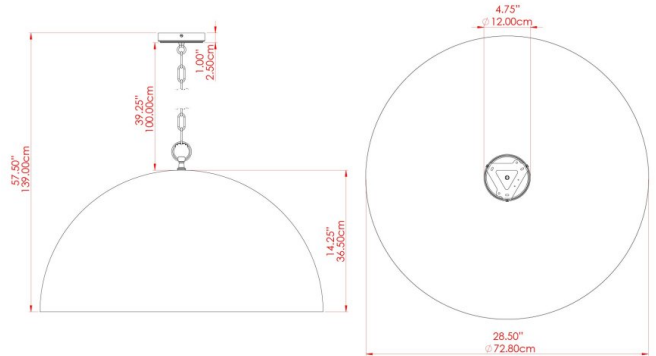
Product Notes:  
 1) Bulbs not included. 2) Dimensions do not include bulbs. 3) All products are individually made-to-order and therefore may differ slightly within manufacturing tolerances. 4) Cable / chain can be shortened during installation. Longer cable / chain lengths available on request. 5) Additional color finishes may be available on request. 6) Twisted cable is not available for UL wired products. Round cable in black or brown only is supplied instead. 7) Refer to our website for a full list of terms and conditions.





# COPENHAGEN Pendant

# MLP373PCRGR Racing Green



MATERIAL	Aluminium
HEIGHT	18"
WIDTH   DIAMETER	28.75"
LENGTH   PROJECTION	n/a
WEIGHT	4.1 kg   9 lbs
LAMPHOLDER	E26
MAX WATTAGE	60W
VOLTAGE	110/120v
ENVIRONMENTAL RATING	Dry Location (IP20)
CLASS PROTECTION	Class I
SHADE	-
FLEX   BAR   CHAIN LENGTH	40"
CABLE TYPE	MLCA029   Black Fabric Braided Cable   3 Core Round

### FIXING BRACKET: MLWB11 | Racing Green

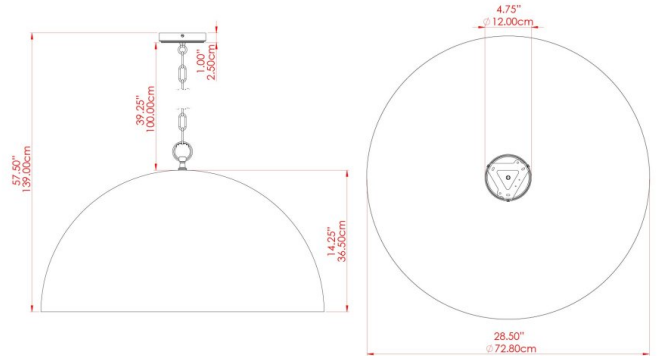


Product Notes:  
 1) Bulbs not included. 2) Dimensions do not include bulbs. 3) All products are individually made-to-order and therefore may differ slightly within manufacturing tolerances. 4) Cable / chain can be shortened during installation. Longer cable / chain lengths available on request. 5) Additional color finishes may be available on request. 6) Twisted cable is not available for UL wired products. Round cable in black or brown only is supplied instead. 7) Refer to our website for a full list of terms and conditions.



# COPENHAGEN Pendant

MLP373PCWTE White



MATERIAL	Aluminium
HEIGHT	18"
WIDTH   DIAMETER	28.75"
LENGTH   PROJECTION	n/a
WEIGHT	4.1 kg   9 lbs
LAMPHOLDER	E26
MAX WATTAGE	60W
VOLTAGE	110/120v
ENVIRONMENTAL RATING	Dry Location (IP20)
CLASS PROTECTION	Class I
SHADE	-
FLEX   BAR   CHAIN LENGTH	40"
CABLE TYPE	MLCA029   Black Fabric Braided Cable   3 Core Round

## FIXING BRACKET: MLWB11 | White



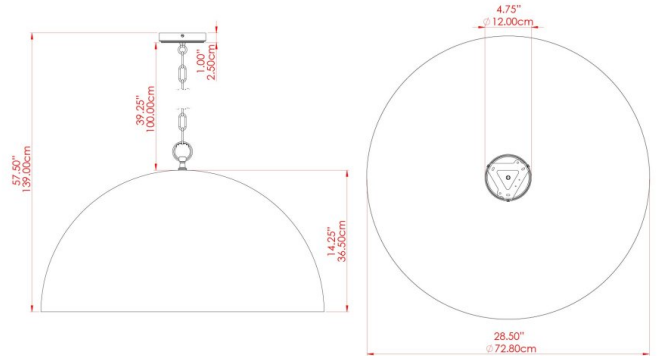
Product Notes:  
 1) Bulbs not included. 2) Dimensions do not include bulbs. 3) All products are individually made-to-order and therefore may differ slightly within manufacturing tolerances. 4) Cable / chain can be shortened during installation. Longer cable / chain lengths available on request. 5) Additional color finishes may be available on request. 6) Twisted cable is not available for UL wired products. Round cable in black or brown only is supplied instead. 7) Refer to our website for a full list of terms and conditions.





## COPENHAGEN Pendant

MLP373PCYLW Yellow



MATERIAL	Aluminium
HEIGHT	18"
WIDTH   DIAMETER	28.75"
LENGTH   PROJECTION	n/a
WEIGHT	4.1 kg   9 lbs
LAMPHOLDER	E26
MAX WATTAGE	60W
VOLTAGE	110/120v
ENVIRONMENTAL RATING	Dry Location (IP20)
CLASS PROTECTION	Class I
SHADE	-
FLEX   BAR   CHAIN LENGTH	40"
CABLE TYPE	MLCA029   Black Fabric Braided Cable   3 Core Round

### FIXING BRACKET: MLWB11 | Yellow



Product Notes:  
1) Bulbs not included. 2) Dimensions do not include bulbs. 3) All products are individually made-to-order and therefore may differ slightly within manufacturing tolerances. 4) Cable / chain can be shortened during installation. Longer cable / chain lengths available on request. 5) Additional color finishes may be available on request. 6) Twisted cable is not available for UL wired products. Round cable in black or brown only is supplied instead. 7) Refer to our website for a full list of terms and conditions.

