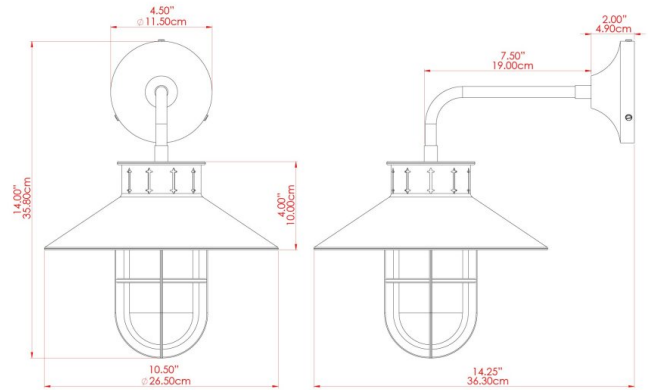


BOYD Wall Light

MLWL163ANTBRS Antique Brass



| | |
|---------------------------|---------------------|
| MATERIAL | Brass |
| HEIGHT | 11.75" |
| WIDTH DIAMETER | 10.5" |
| LENGTH PROJECTION | 13.75" |
| WEIGHT | 1.5 kg 3.3 lbs |
| LAMPHOLDER | E26 |
| MAX WATTAGE | 40W |
| VOLTAGE | 110/120v |
| ENVIRONMENTAL RATING | Dry Location (IP20) |
| CLASS PROTECTION | Class I |
| SHADE | As per description |
| FLEX BAR CHAIN LENGTH | n/a |
| CABLE TYPE | |

FIXING BRACKET: MLWB12

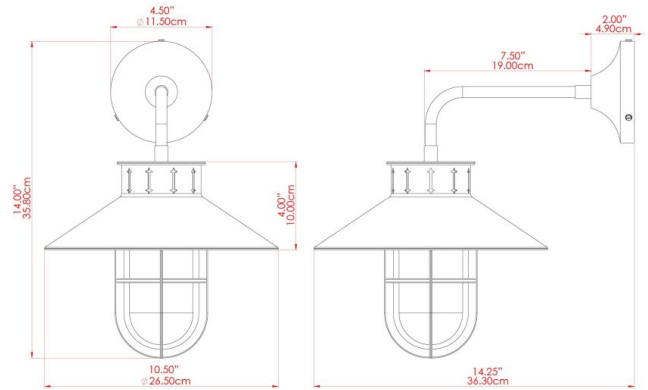


Product Notes:
 1) Bulbs not included. 2) Dimensions do not include bulbs. 3) All products are individually made-to-order and therefore may differ slightly within manufacturing tolerances. 4) Cable / chain can be shortened during installation. Longer cable / chain lengths available on request. 5) Additional color finishes may be available on request. 6) Twisted cable is not available for UL wired products. Round cable in black or brown only is supplied instead. 7) Refer to our website for a full list of terms and conditions.



BOYD Wall Light

MLWL163ANTSLV Antique Silver



| | |
|---------------------------|---------------------|
| MATERIAL | Brass |
| HEIGHT | 11.75" |
| WIDTH DIAMETER | 10.5" |
| LENGTH PROJECTION | 13.75" |
| WEIGHT | 1.5 kg 3.3 lbs |
| LAMPHOLDER | E26 |
| MAX WATTAGE | 40W |
| VOLTAGE | 110/120v |
| ENVIRONMENTAL RATING | Dry Location (IP20) |
| CLASS PROTECTION | Class I |
| SHADE | As per description |
| FLEX BAR CHAIN LENGTH | n/a |
| CABLE TYPE | |

FIXING BRACKET: MLWB12

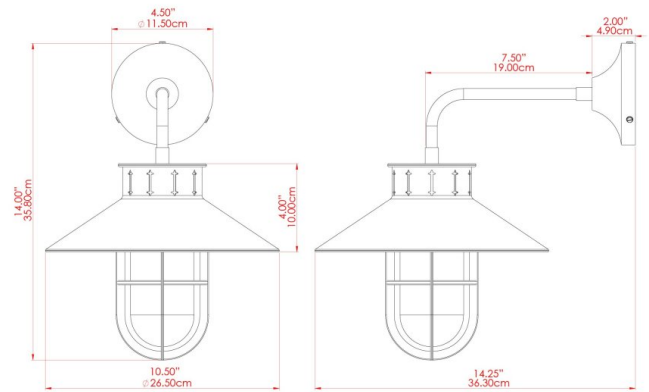


Product Notes:
 1) Bulbs not included. 2) Dimensions do not include bulbs. 3) All products are individually made-to-order and therefore may differ slightly within manufacturing tolerances. 4) Cable / chain can be shortened during installation. Longer cable / chain lengths available on request. 5) Additional color finishes may be available on request. 6) Twisted cable is not available for UL wired products. Round cable in black or brown only is supplied instead. 7) Refer to our website for a full list of terms and conditions.



BOYD Wall Light

MLWL163POLBRS Polished Brass



| | |
|---------------------------|---------------------|
| MATERIAL | Brass |
| HEIGHT | 11.75" |
| WIDTH DIAMETER | 10.5" |
| LENGTH PROJECTION | 13.75" |
| WEIGHT | 1.5 kg 3.3 lbs |
| LAMPHOLDER | E26 |
| MAX WATTAGE | 40W |
| VOLTAGE | 110/120v |
| ENVIRONMENTAL RATING | Dry Location (IP20) |
| CLASS PROTECTION | Class I |
| SHADE | As per description |
| FLEX BAR CHAIN LENGTH | n/a |
| CABLE TYPE | |

FIXING BRACKET: MLWB12

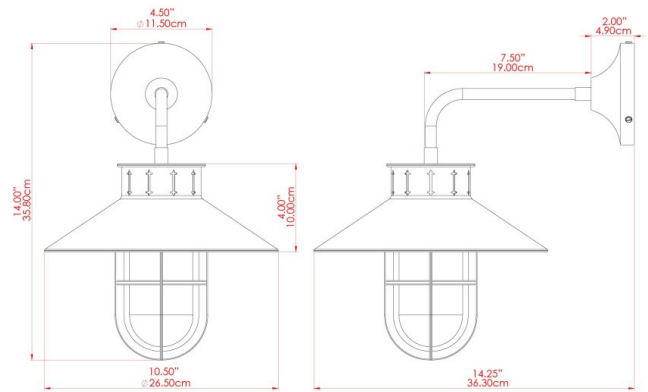


Product Notes:
 1) Bulbs not included. 2) Dimensions do not include bulbs. 3) All products are individually made-to-order and therefore may differ slightly within manufacturing tolerances. 4) Cable / chain can be shortened during installation. Longer cable / chain lengths available on request. 5) Additional color finishes may be available on request. 6) Twisted cable is not available for UL wired products. Round cable in black or brown only is supplied instead. 7) Refer to our website for a full list of terms and conditions.



BOYD Wall Light

MLWL163SATBRS Satin Brass



| | |
|---------------------------|---------------------|
| MATERIAL | Brass |
| HEIGHT | 11.75" |
| WIDTH DIAMETER | 10.5" |
| LENGTH PROJECTION | 13.75" |
| WEIGHT | 1.5 kg 3.3 lbs |
| LAMPHOLDER | E26 |
| MAX WATTAGE | 40W |
| VOLTAGE | 110/120v |
| ENVIRONMENTAL RATING | Dry Location (IP20) |
| CLASS PROTECTION | Class I |
| SHADE | As per description |
| FLEX BAR CHAIN LENGTH | n/a |
| CABLE TYPE | |

FIXING BRACKET: MLWB12



Product Notes:
 1) Bulbs not included. 2) Dimensions do not include bulbs. 3) All products are individually made-to-order and therefore may differ slightly within manufacturing tolerances. 4) Cable / chain can be shortened during installation. Longer cable / chain lengths available on request. 5) Additional color finishes may be available on request. 6) Twisted cable is not available for UL wired products. Round cable in black or brown only is supplied instead. 7) Refer to our website for a full list of terms and conditions.

