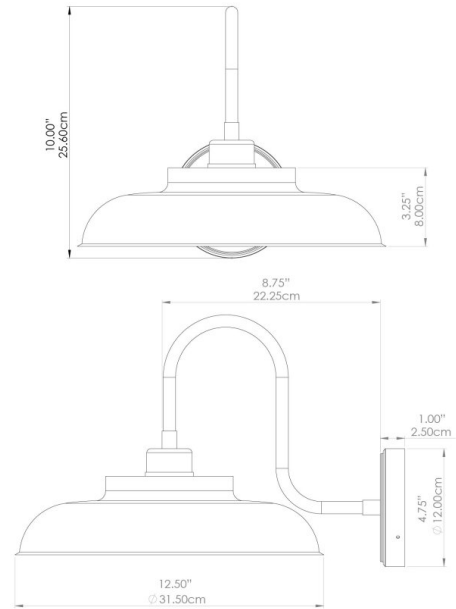


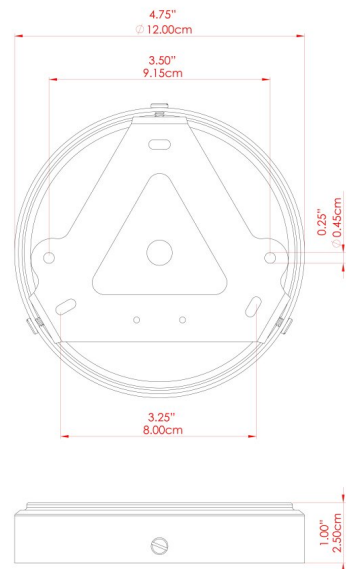
TELAL Wall Light

MLWL459ANTBRS Antique Brass



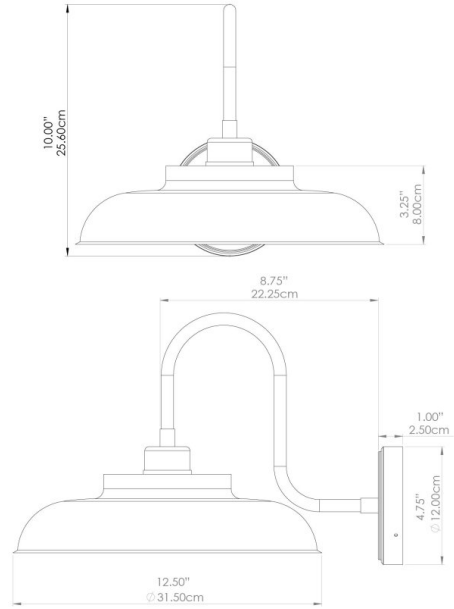
MATERIAL	Brass
HEIGHT	9.5"
WIDTH DIAMETER	12.5"
LENGTH PROJECTION	15.75"
WEIGHT	1.4 kg 3 lbs
LAMPHOLDER	E26
MAX WATTAGE	40W
VOLTAGE	110/120v
ENVIRONMENTAL RATING	Dry Location (IP20)
CLASS PROTECTION	Class I
SHADE	
FLEX BAR CHAIN LENGTH	n/a
CABLE TYPE	

FIXING BRACKET: MLWB17



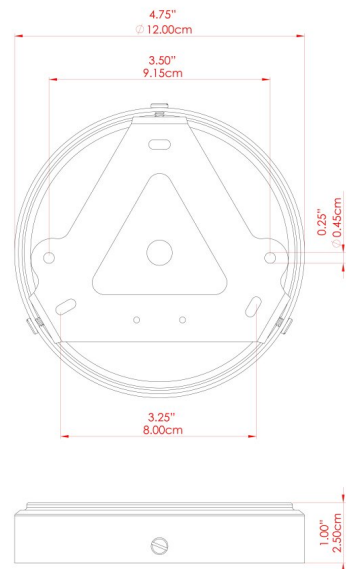
TELAL Wall Light

MLWL459ANTSLV Antique Silver



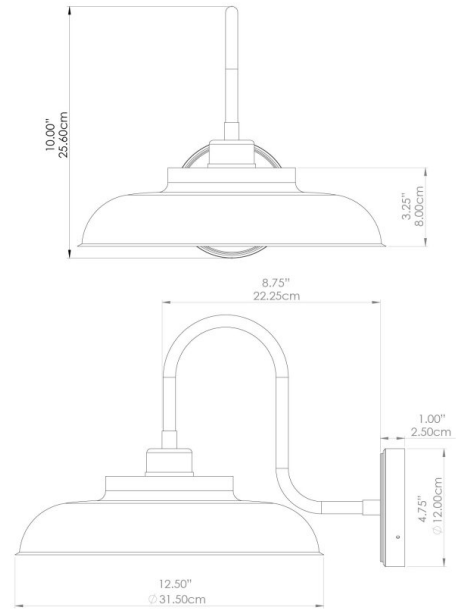
MATERIAL	Brass
HEIGHT	9.5"
WIDTH DIAMETER	12.5"
LENGTH PROJECTION	15.75"
WEIGHT	1.4 kg 3 lbs
LAMPHOLDER	E26
MAX WATTAGE	40W
VOLTAGE	110/120v
ENVIRONMENTAL RATING	Dry Location (IP20)
CLASS PROTECTION	Class I
SHADE	
FLEX BAR CHAIN LENGTH	n/a
CABLE TYPE	

FIXING BRACKET: MLWB17



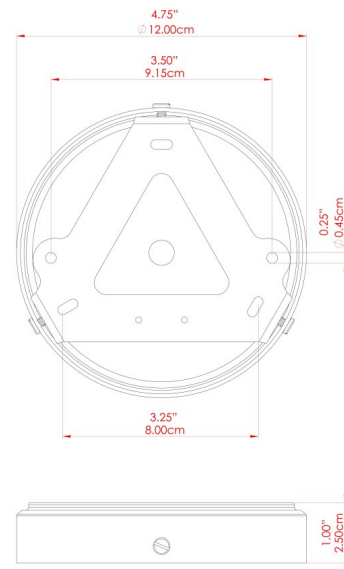
TELAL Wall Light

MLWL459PCMBK Matt Black



MATERIAL	Brass
HEIGHT	9.5"
WIDTH DIAMETER	12.5"
LENGTH PROJECTION	15.75"
WEIGHT	1.4 kg 3 lbs
LAMPHOLDER	E26
MAX WATTAGE	40W
VOLTAGE	110/120v
ENVIRONMENTAL RATING	Dry Location (IP20)
CLASS PROTECTION	Class I
SHADE	
FLEX BAR CHAIN LENGTH	n/a
CABLE TYPE	

FIXING BRACKET: MLWB17

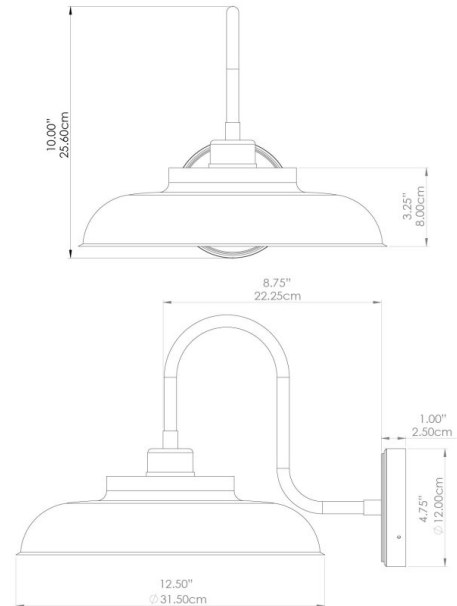


Product Notes:
 1) Bulbs not included. 2) Dimensions do not include bulbs. 3) All products are individually made-to-order and therefore may differ slightly within manufacturing tolerances. 4) Cable / chain can be shortened during installation. Longer cable / chain lengths available on request. 5) Additional color finishes may be available on request. 6) Twisted cable is not available for UL wired products. Round cable in black or brown only is supplied instead. 7) Refer to our website for a full list of terms and conditions.



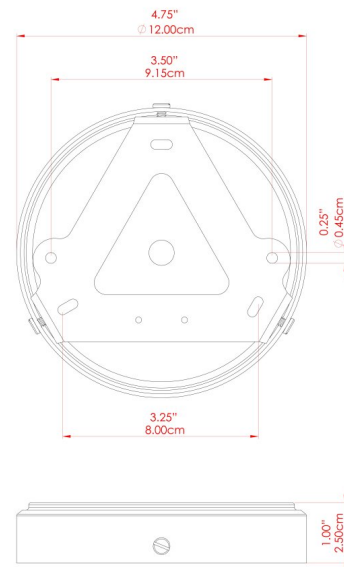
TELAL Wall Light

MLWL459POLBRS Polished Brass



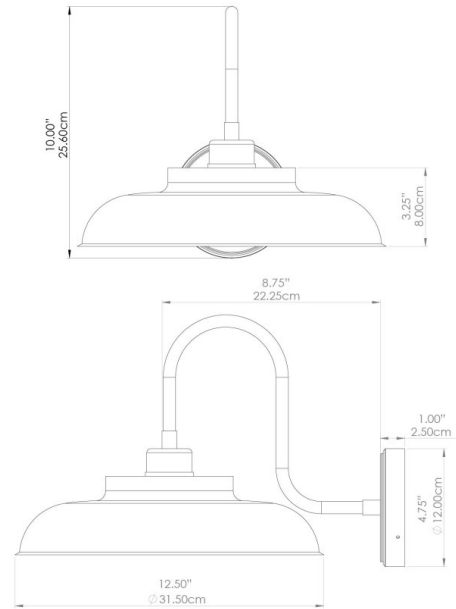
MATERIAL	Brass
HEIGHT	9.5"
WIDTH DIAMETER	12.5"
LENGTH PROJECTION	15.75"
WEIGHT	1.4 kg 3 lbs
LAMPHOLDER	E26
MAX WATTAGE	40W
VOLTAGE	110/120v
ENVIRONMENTAL RATING	Dry Location (IP20)
CLASS PROTECTION	Class I
SHADE	
FLEX BAR CHAIN LENGTH	n/a
CABLE TYPE	

FIXING BRACKET: MLWB17



TELAL Wall Light

MLWL459SATBRS Satin Brass



MATERIAL	Brass
HEIGHT	9.5"
WIDTH DIAMETER	12.5"
LENGTH PROJECTION	15.75"
WEIGHT	1.4 kg 3 lbs
LAMPHOLDER	E26
MAX WATTAGE	40W
VOLTAGE	110/120v
ENVIRONMENTAL RATING	Dry Location (IP20)
CLASS PROTECTION	Class I
SHADE	
FLEX BAR CHAIN LENGTH	n/a
CABLE TYPE	

FIXING BRACKET: MLWB17

