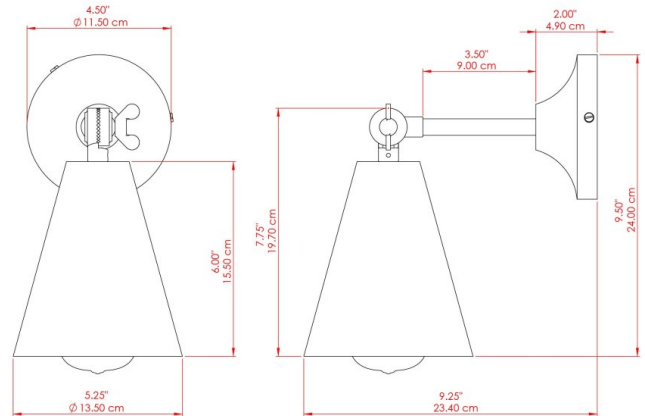


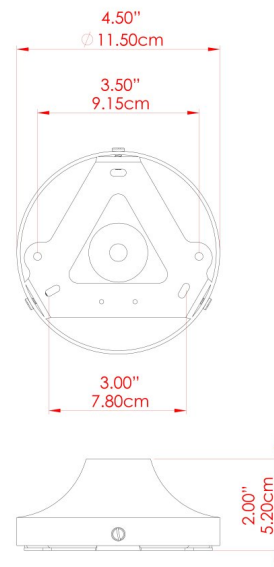
# MOYA Wall Light

## MLWL237ANTBRS Antique Brass



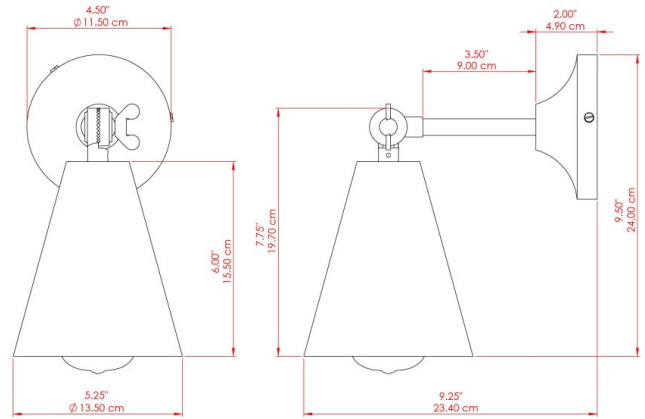
MATERIAL	Brass
HEIGHT	5.5"-8.75"
WIDTH   DIAMETER	5.5"
LENGTH   PROJECTION	8.75"-13.25"
WEIGHT	0.65 kg   1.5 lbs
LAMPHOLDER	E26
MAX WATTAGE	40W
VOLTAGE	110/120v
ENVIRONMENTAL RATING	Dry Location (IP20)
CLASS PROTECTION	Class I
SHADE	-
FLEX   BAR   CHAIN LENGTH	n/a
CABLE TYPE	

### FIXING BRACKET: MLWB12 | Antique Brass



# MOYA Wall Light

# MLWL237ANTSLV Antique Silver



MATERIAL	Brass
HEIGHT	5.5"-8.75"
WIDTH   DIAMETER	5.5"
LENGTH   PROJECTION	8.75"-13.25"
WEIGHT	0.65 kg   1.5 lbs
LAMPHOLDER	E26
MAX WATTAGE	40W
VOLTAGE	110/120v
ENVIRONMENTAL RATING	Dry Location (IP20)
CLASS PROTECTION	Class I
SHADE	-
FLEX   BAR   CHAIN LENGTH	n/a
CABLE TYPE	

### FIXING BRACKET: MLWB12 | Antique Silver

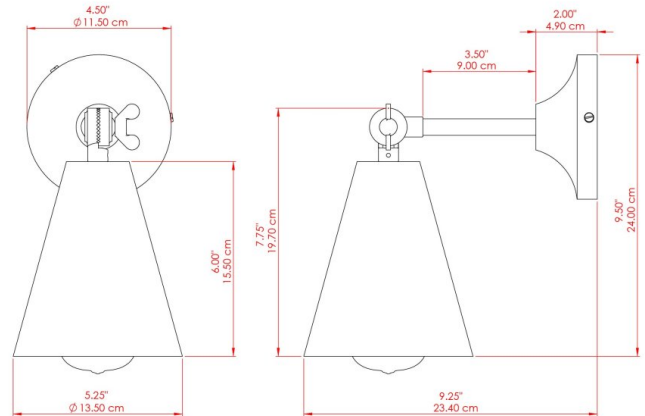


Product Notes:  
 1) Bulbs not included. 2) Dimensions do not include bulbs. 3) All products are individually made-to-order and therefore may differ slightly within manufacturing tolerances. 4) Cable / chain can be shortened during installation. Longer cable / chain lengths available on request. 5) Additional color finishes may be available on request. 6) Twisted cable is not available for UL wired products. Round cable in black or brown only is supplied instead. 7) Refer to our website for a full list of terms and conditions.



# MOYA Wall Light

MLWL237POLBRS Polished Brass



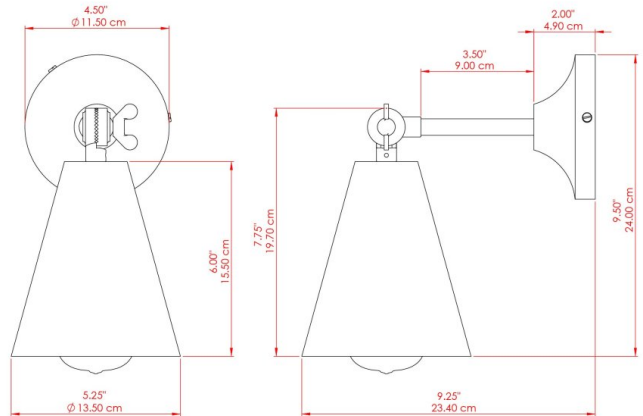
MATERIAL	Brass
HEIGHT	5.5"-8.75"
WIDTH   DIAMETER	5.5"
LENGTH   PROJECTION	8.75"-13.25"
WEIGHT	0.65 kg   1.5 lbs
LAMPHOLDER	E26
MAX WATTAGE	40W
VOLTAGE	110/120v
ENVIRONMENTAL RATING	Dry Location (IP20)
CLASS PROTECTION	Class I
SHADE	-
FLEX   BAR   CHAIN LENGTH	n/a
CABLE TYPE	

## FIXING BRACKET: MLWB12 | Polished Brass



# MOYA Wall Light

MLWL237SATBRS Satin Brass



MATERIAL	Brass
HEIGHT	5.5"-8.75"
WIDTH   DIAMETER	5.5"
LENGTH   PROJECTION	8.75"-13.25"
WEIGHT	0.65 kg   1.5 lbs
LAMPHOLDER	E26
MAX WATTAGE	40W
VOLTAGE	110/120v
ENVIRONMENTAL RATING	Dry Location (IP20)
CLASS PROTECTION	Class I
SHADE	-
FLEX   BAR   CHAIN LENGTH	n/a
CABLE TYPE	

## FIXING BRACKET: MLWB12 | Satin Brass

