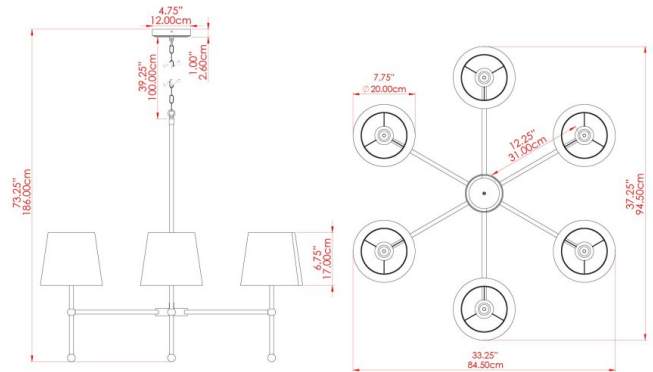




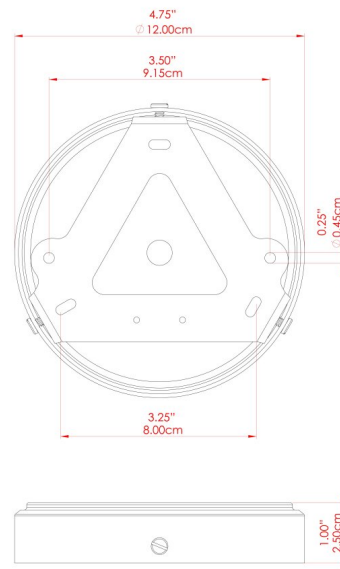
# CALIFORNIA Chandelier

# MLF270ANTBRS Antique Brass



MATERIAL	Brass   Fabric
HEIGHT	30.75"
WIDTH   DIAMETER	37.5"
LENGTH   PROJECTION	n/a
WEIGHT	5.5 kg   12.3 lbs
LAMPHOLDER	E26
MAX WATTAGE	40W
VOLTAGE	110/120v
ENVIRONMENTAL RATING	Dry Location (IP20)
CLASS PROTECTION	Class I
SHADE	MLFS008 x 6
FLEX   BAR   CHAIN LENGTH	40"
CABLE TYPE	MLCA036   Brown PVC Flexible Cable   3 Core

## FIXING BRACKET: MLWB17 | Antique Brass



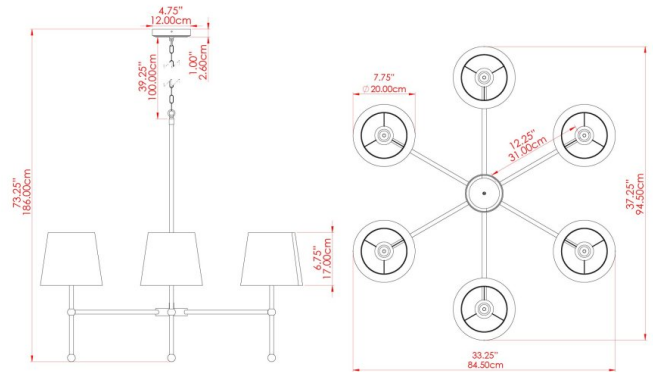
Product Notes:  
 1) Bulbs not included. 2) Dimensions do not include bulbs. 3) All products are individually made-to-order and therefore may differ slightly within manufacturing tolerances. 4) Cable / chain can be shortened during installation. Longer cable / chain lengths available on request. 5) Additional color finishes may be available on request. 6) Twisted cable is not available for UL wired products. Round cable in black or brown only is supplied instead. 7) Refer to our website for a full list of terms and conditions.





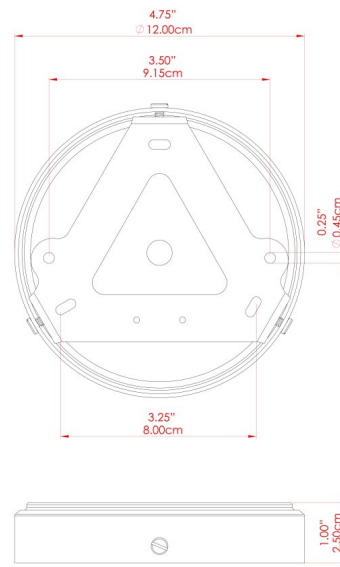
# CALIFORNIA Chandelier

# MLF270ANTSLV Antique Silver



MATERIAL	Brass   Fabric
HEIGHT	30.75"
WIDTH   DIAMETER	37.5"
LENGTH   PROJECTION	n/a
WEIGHT	5.5 kg   12.3 lbs
LAMPHOLDER	E26
MAX WATTAGE	40W
VOLTAGE	110/120v
ENVIRONMENTAL RATING	Dry Location (IP20)
CLASS PROTECTION	Class I
SHADE	MLFS008 x 6
FLEX   BAR   CHAIN LENGTH	40"
CABLE TYPE	MLCA013   Clear PVC Flexible Cable   3 Core

## FIXING BRACKET: MLWB17 | Antique Silver



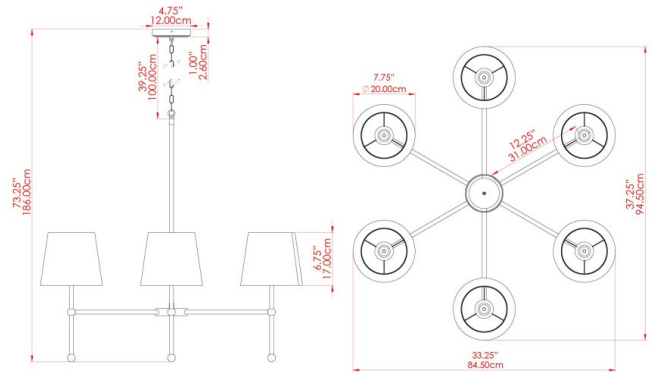
Product Notes:  
 1) Bulbs not included. 2) Dimensions do not include bulbs. 3) All products are individually made-to-order and therefore may differ slightly within manufacturing tolerances. 4) Cable / chain can be shortened during installation. Longer cable / chain lengths available on request. 5) Additional color finishes may be available on request. 6) Twisted cable is not available for UL wired products. Round cable in black or brown only is supplied instead. 7) Refer to our website for a full list of terms and conditions.





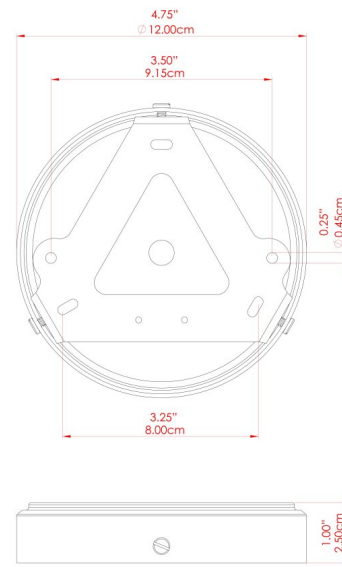
# CALIFORNIA Chandelier

# MLF270POLBRS Polished Brass



MATERIAL	Brass   Fabric
HEIGHT	30.75"
WIDTH   DIAMETER	37.5"
LENGTH   PROJECTION	n/a
WEIGHT	5.5 kg   12.3 lbs
LAMPHOLDER	E26
MAX WATTAGE	40W
VOLTAGE	110/120v
ENVIRONMENTAL RATING	Dry Location (IP20)
CLASS PROTECTION	Class I
SHADE	MLFS008 x 6
FLEX   BAR   CHAIN LENGTH	40"
CABLE TYPE	MLCA012   Gold PVC Flexible Cable   3 Core

## FIXING BRACKET: MLWB17 | Polished Brass



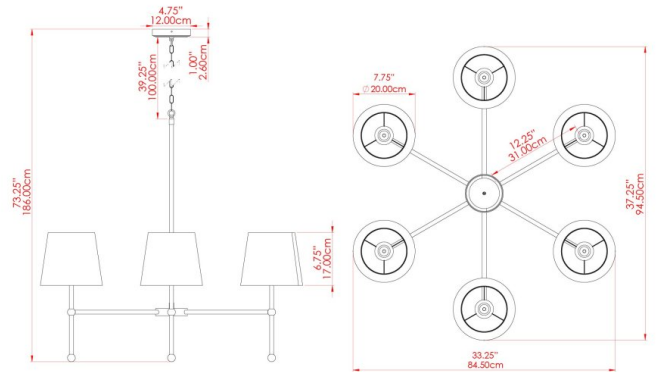
Product Notes:  
 1) Bulbs not included. 2) Dimensions do not include bulbs. 3) All products are individually made-to-order and therefore may differ slightly within manufacturing tolerances. 4) Cable / chain can be shortened during installation. Longer cable / chain lengths available on request. 5) Additional color finishes may be available on request. 6) Twisted cable is not available for UL wired products. Round cable in black or brown only is supplied instead. 7) Refer to our website for a full list of terms and conditions.





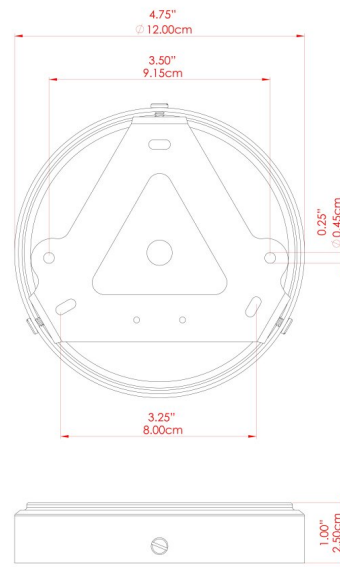
# CALIFORNIA Chandelier

MLF270SATBRS Satin Brass



MATERIAL	Brass   Fabric
HEIGHT	30.75"
WIDTH   DIAMETER	37.5"
LENGTH   PROJECTION	n/a
WEIGHT	5.5 kg   12.3 lbs
LAMPHOLDER	E26
MAX WATTAGE	40W
VOLTAGE	110/120v
ENVIRONMENTAL RATING	Dry Location (IP20)
CLASS PROTECTION	Class I
SHADE	MLFS008 x 6
FLEX   BAR   CHAIN LENGTH	40"
CABLE TYPE	MLCA012   Gold PVC Flexible Cable   3 Core

## FIXING BRACKET: MLWB17 | Satin Brass



Product Notes:  
 1) Bulbs not included. 2) Dimensions do not include bulbs. 3) All products are individually made-to-order and therefore may differ slightly within manufacturing tolerances. 4) Cable / chain can be shortened during installation. Longer cable / chain lengths available on request. 5) Additional color finishes may be available on request. 6) Twisted cable is not available for UL wired products. Round cable in black or brown only is supplied instead. 7) Refer to our website for a full list of terms and conditions.

