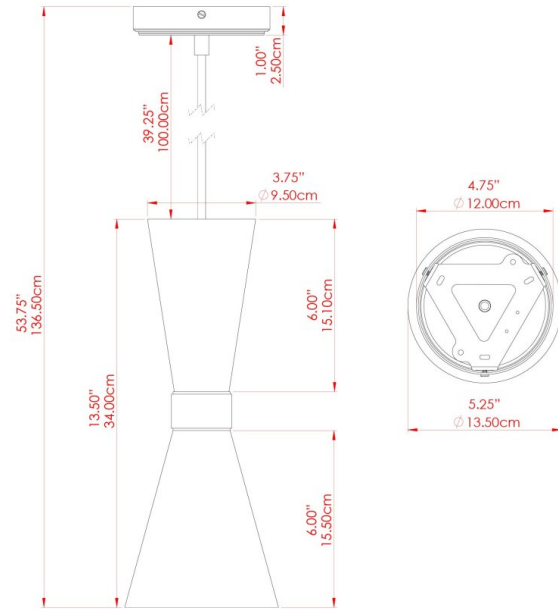


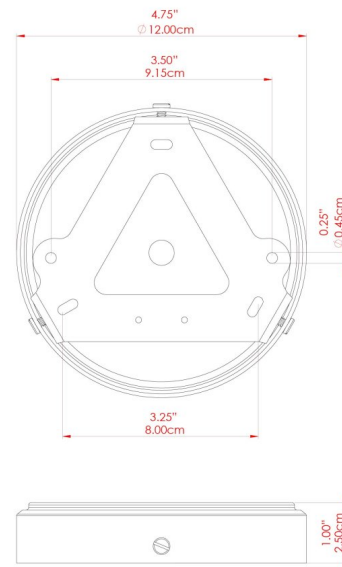
CAIRO Pendant

MLP508PCCRM



MATERIAL	Brass
HEIGHT	13.5"
WIDTH DIAMETER	5.5"
LENGTH PROJECTION	n/a
WEIGHT	1 kg 2.3 lbs
LAMPHOLDER	GU10
MAX WATTAGE	6.5W
VOLTAGE	110/120v
ENVIRONMENTAL RATING	Dry Location (IP20)
CLASS PROTECTION	Class I
SHADE	-
FLEX BAR CHAIN LENGTH	40"
CABLE TYPE	MLCA059 Ivory Fabric Braided Cable 2 Core Round

FIXING BRACKET: MLROSE39

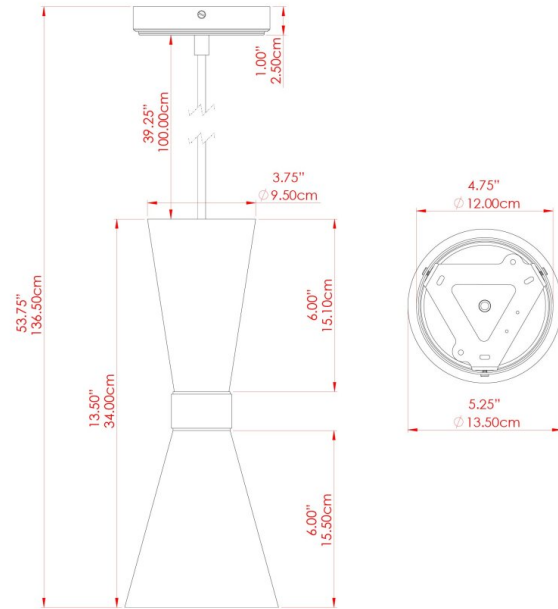


Product Notes:
 1) Bulbs not included. 2) Dimensions do not include bulbs. 3) All products are individually made-to-order and therefore may differ slightly within manufacturing tolerances. 4) Cable / chain can be shortened during installation. Longer cable / chain lengths available on request. 5) Additional color finishes may be available on request. 6) Twisted cable is not available for UL wired products. Round cable in black or brown only is supplied instead. 7) Refer to our website for a full list of terms and conditions.



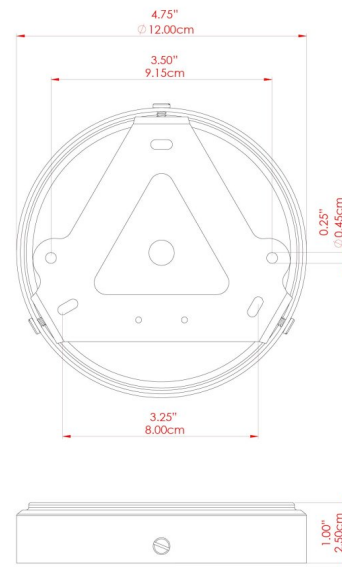
CAIRO Pendant

MLP508PCGRN Sage Green



MATERIAL	Brass
HEIGHT	13.5"
WIDTH DIAMETER	5.5"
LENGTH PROJECTION	n/a
WEIGHT	1 kg 2.3 lbs
LAMPHOLDER	GU10
MAX WATTAGE	6.5W
VOLTAGE	110/120v
ENVIRONMENTAL RATING	Dry Location (IP20)
CLASS PROTECTION	Class I
SHADE	-
FLEX BAR CHAIN LENGTH	40"
CABLE TYPE	MLCA051 Sage Green Fabric Braided Cable 2 Core Round

FIXING BRACKET: MLROSE39

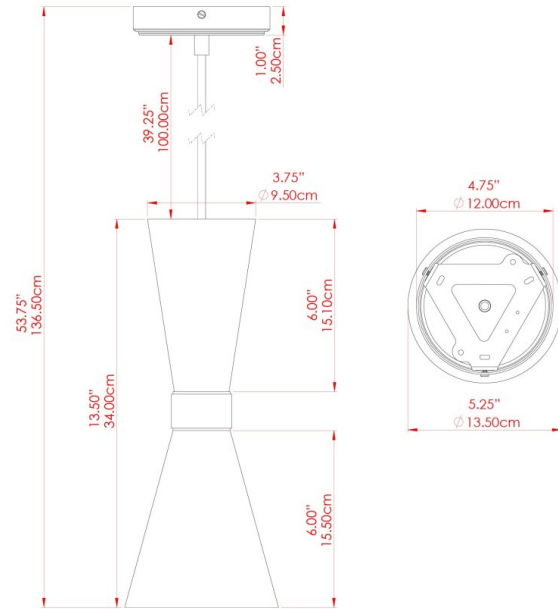


Product Notes:
 1) Bulbs not included. 2) Dimensions do not include bulbs. 3) All products are individually made-to-order and therefore may differ slightly within manufacturing tolerances. 4) Cable / chain can be shortened during installation. Longer cable / chain lengths available on request. 5) Additional color finishes may be available on request. 6) Twisted cable is not available for UL wired products. Round cable in black or brown only is supplied instead. 7) Refer to our website for a full list of terms and conditions.



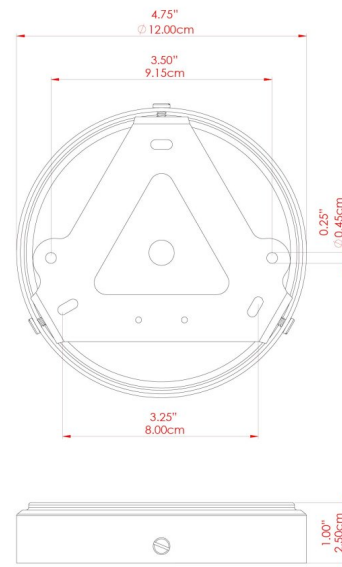
CAIRO Pendant

MLP508PCMAP



MATERIAL	Brass
HEIGHT	13.5"
WIDTH DIAMETER	5.5"
LENGTH PROJECTION	n/a
WEIGHT	1 kg 2.3 lbs
LAMPHOLDER	GU10
MAX WATTAGE	6.5W
VOLTAGE	110/120v
ENVIRONMENTAL RATING	Dry Location (IP20)
CLASS PROTECTION	Class I
SHADE	-
FLEX BAR CHAIN LENGTH	40"
CABLE TYPE	MLCA059 Ivory Fabric Braided Cable 2 Core Round

FIXING BRACKET: MLROSE39

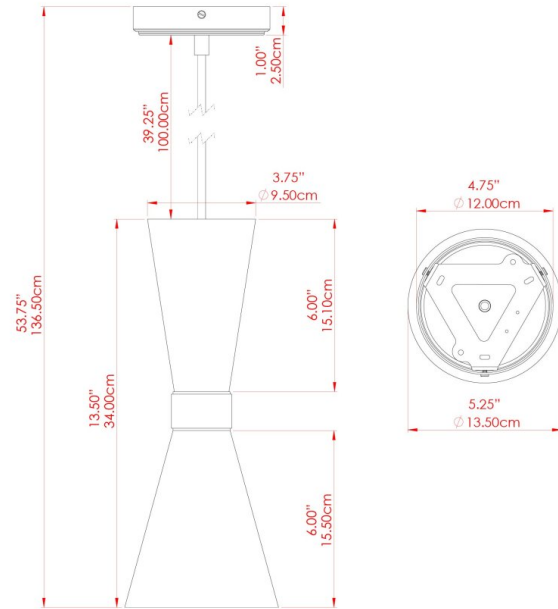


Product Notes:
 1) Bulbs not included. 2) Dimensions do not include bulbs. 3) All products are individually made-to-order and therefore may differ slightly within manufacturing tolerances. 4) Cable / chain can be shortened during installation. Longer cable / chain lengths available on request. 5) Additional color finishes may be available on request. 6) Twisted cable is not available for UL wired products. Round cable in black or brown only is supplied instead. 7) Refer to our website for a full list of terms and conditions.



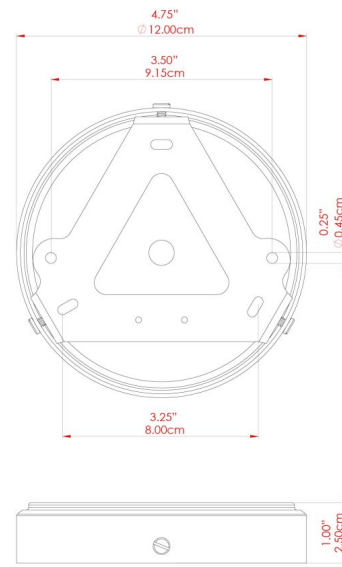
CAIRO Pendant

MLP508PCMMT



MATERIAL	Brass
HEIGHT	13.5"
WIDTH DIAMETER	5.5"
LENGTH PROJECTION	n/a
WEIGHT	1 kg 2.3 lbs
LAMPHOLDER	GU10
MAX WATTAGE	6.5W
VOLTAGE	110/120v
ENVIRONMENTAL RATING	Dry Location (IP20)
CLASS PROTECTION	Class I
SHADE	-
FLEX BAR CHAIN LENGTH	40"
CABLE TYPE	MLCA059 Ivory Fabric Braided Cable 2 Core Round

FIXING BRACKET: MLROSE39

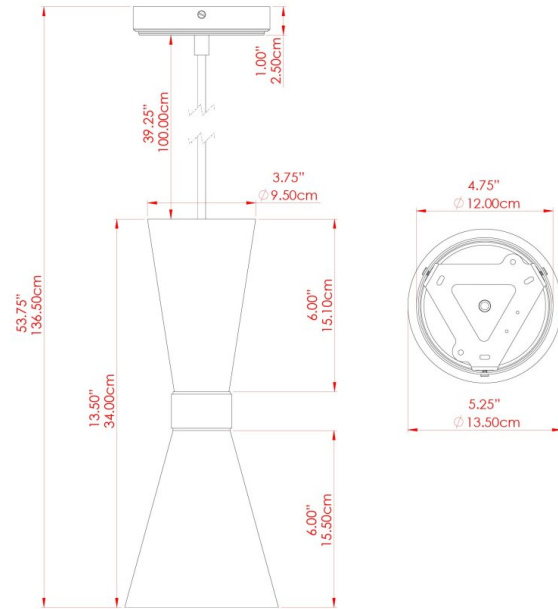


Product Notes:
 1) Bulbs not included. 2) Dimensions do not include bulbs. 3) All products are individually made-to-order and therefore may differ slightly within manufacturing tolerances. 4) Cable / chain can be shortened during installation. Longer cable / chain lengths available on request. 5) Additional color finishes may be available on request. 6) Twisted cable is not available for UL wired products. Round cable in black or brown only is supplied instead. 7) Refer to our website for a full list of terms and conditions.



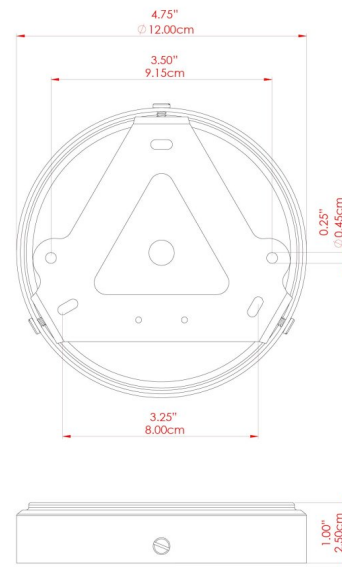
CAIRO Pendant

MLP508PCMSB



MATERIAL	Brass
HEIGHT	13.5"
WIDTH DIAMETER	5.5"
LENGTH PROJECTION	n/a
WEIGHT	1 kg 2.3 lbs
LAMPHOLDER	GU10
MAX WATTAGE	6.5W
VOLTAGE	110/120v
ENVIRONMENTAL RATING	Dry Location (IP20)
CLASS PROTECTION	Class I
SHADE	-
FLEX BAR CHAIN LENGTH	40"
CABLE TYPE	MLCA045 Electric Blue Fabric Braided Cable 2 Core Round

FIXING BRACKET: MLROSE39

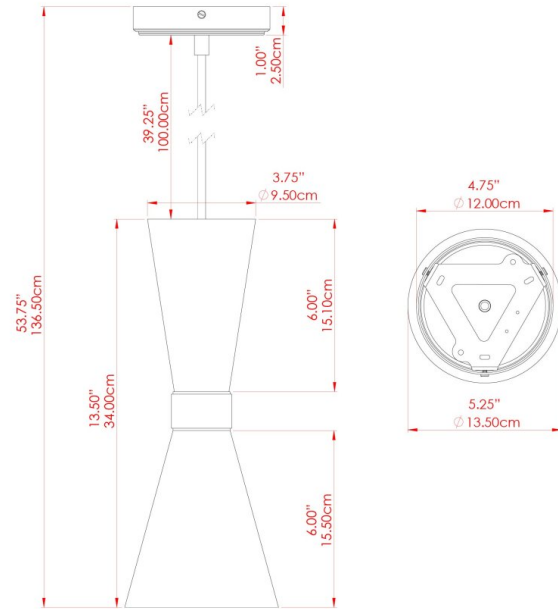


Product Notes:
 1) Bulbs not included. 2) Dimensions do not include bulbs. 3) All products are individually made-to-order and therefore may differ slightly within manufacturing tolerances. 4) Cable / chain can be shortened during installation. Longer cable / chain lengths available on request. 5) Additional color finishes may be available on request. 6) Twisted cable is not available for UL wired products. Round cable in black or brown only is supplied instead. 7) Refer to our website for a full list of terms and conditions.



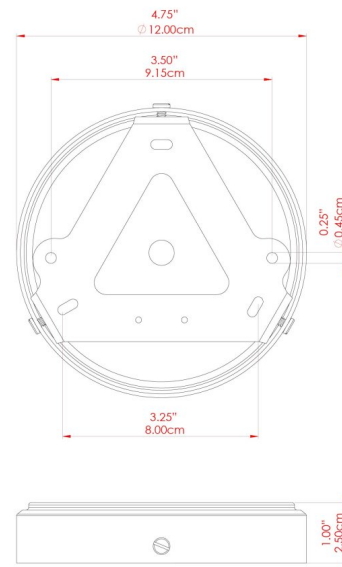
CAIRO Pendant

MLP508PCORG Orange



MATERIAL	Brass
HEIGHT	13.5"
WIDTH DIAMETER	5.5"
LENGTH PROJECTION	n/a
WEIGHT	1 kg 2.3 lbs
LAMPHOLDER	GU10
MAX WATTAGE	6.5W
VOLTAGE	110/120v
ENVIRONMENTAL RATING	Dry Location (IP20)
CLASS PROTECTION	Class I
SHADE	-
FLEX BAR CHAIN LENGTH	40"
CABLE TYPE	MLCA061 Orange Fabric Braided Cable 2 Core Round

FIXING BRACKET: MLROSE39

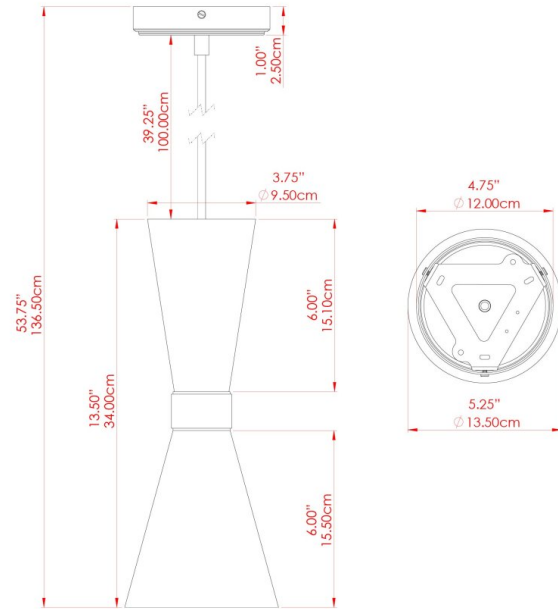


Product Notes:
 1) Bulbs not included. 2) Dimensions do not include bulbs. 3) All products are individually made-to-order and therefore may differ slightly within manufacturing tolerances. 4) Cable / chain can be shortened during installation. Longer cable / chain lengths available on request. 5) Additional color finishes may be available on request. 6) Twisted cable is not available for UL wired products. Round cable in black or brown only is supplied instead. 7) Refer to our website for a full list of terms and conditions.



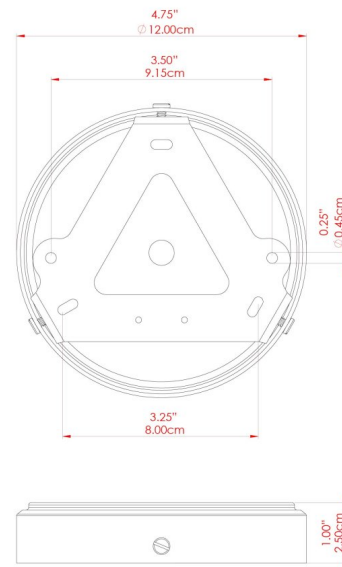
CAIRO Pendant

MLP508PCRED Red



MATERIAL	Brass
HEIGHT	13.5"
WIDTH DIAMETER	5.5"
LENGTH PROJECTION	n/a
WEIGHT	1 kg 2.3 lbs
LAMPHOLDER	GU10
MAX WATTAGE	6.5W
VOLTAGE	110/120v
ENVIRONMENTAL RATING	Dry Location (IP20)
CLASS PROTECTION	Class I
SHADE	-
FLEX BAR CHAIN LENGTH	40"
CABLE TYPE	MLCA032 Red Fabric Braided Cable 2 Core Round

FIXING BRACKET: MLROSE39

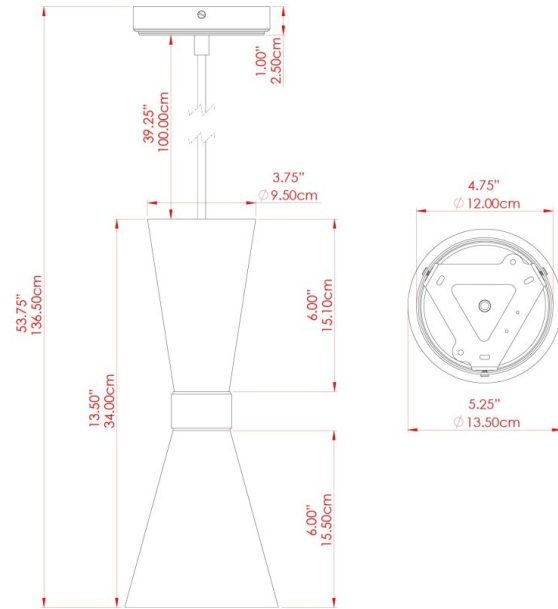


Product Notes:
 1) Bulbs not included. 2) Dimensions do not include bulbs. 3) All products are individually made-to-order and therefore may differ slightly within manufacturing tolerances. 4) Cable / chain can be shortened during installation. Longer cable / chain lengths available on request. 5) Additional color finishes may be available on request. 6) Twisted cable is not available for UL wired products. Round cable in black or brown only is supplied instead. 7) Refer to our website for a full list of terms and conditions.



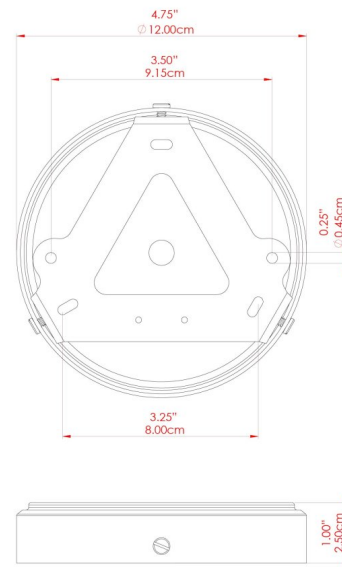
CAIRO Pendant

MLP508PCRGR Racing Green



MATERIAL	Brass
HEIGHT	13.5"
WIDTH DIAMETER	5.5"
LENGTH PROJECTION	n/a
WEIGHT	1 kg 2.3 lbs
LAMPHOLDER	GU10
MAX WATTAGE	6.5W
VOLTAGE	110/120v
ENVIRONMENTAL RATING	Dry Location (IP20)
CLASS PROTECTION	Class I
SHADE	-
FLEX BAR CHAIN LENGTH	40"
CABLE TYPE	MLCA028 Black Fabric Braided Cable 2 Core Round

FIXING BRACKET: MLROSE39



Product Notes:
 1) Bulbs not included. 2) Dimensions do not include bulbs. 3) All products are individually made-to-order and therefore may differ slightly within manufacturing tolerances. 4) Cable / chain can be shortened during installation. Longer cable / chain lengths available on request. 5) Additional color finishes may be available on request. 6) Twisted cable is not available for UL wired products. Round cable in black or brown only is supplied instead. 7) Refer to our website for a full list of terms and conditions.

