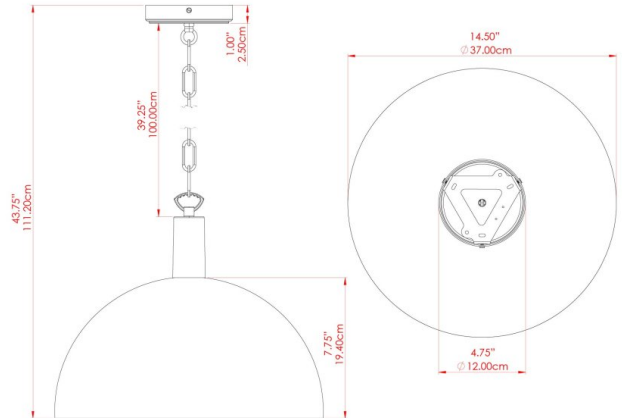


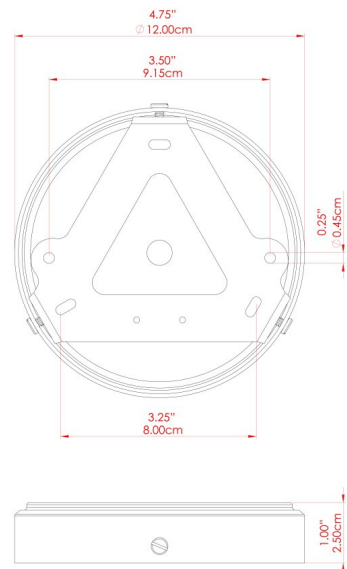
# KAURI Ceramic Pendant

# MLCMP062ANTBRS Antique Brass



MATERIAL	Brass   Ceramic
HEIGHT	11"
WIDTH   DIAMETER	14.5"
LENGTH   PROJECTION	n/a
WEIGHT	8.5 kg   18.8 lbs
LAMPHOLDER	E26
MAX WATTAGE	40W
VOLTAGE	110/120v
ENVIRONMENTAL RATING	Dry Location (IP20)
CLASS PROTECTION	Class I
SHADE	MLCS049
FLEX   BAR   CHAIN LENGTH	40"
CABLE TYPE	MLCA010   Brown PVC Flexible Cable   2 Core

### FIXING BRACKET: MLWB17

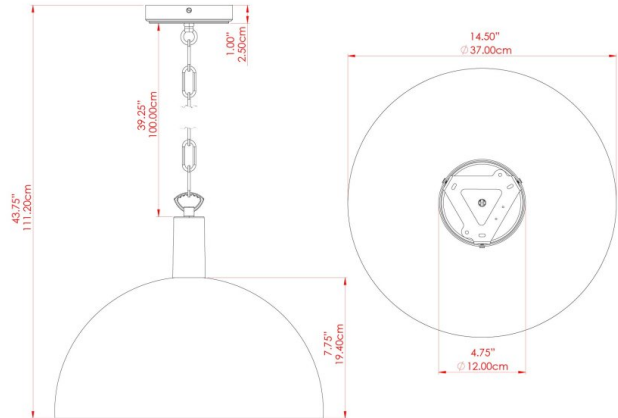


Product Notes:  
 1) Bulbs not included. 2) Dimensions do not include bulbs. 3) All products are individually made-to-order and therefore may differ slightly within manufacturing tolerances. 4) Cable / chain can be shortened during installation. Longer cable / chain lengths available on request. 5) Additional color finishes may be available on request. 6) Twisted cable is not available for UL wired products. Round cable in black or brown only is supplied instead. 7) Refer to our website for a full list of terms and conditions.



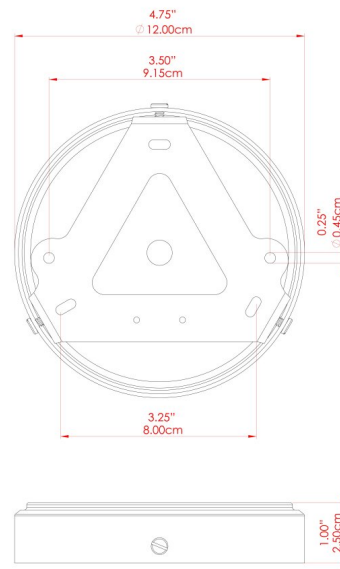
# KAURI Ceramic Pendant

# MLCMP062ANTSLV Antique Silver



MATERIAL	Brass   Ceramic
HEIGHT	11"
WIDTH   DIAMETER	14.5"
LENGTH   PROJECTION	n/a
WEIGHT	8.5 kg   18.8 lbs
LAMPHOLDER	E26
MAX WATTAGE	40W
VOLTAGE	110/120v
ENVIRONMENTAL RATING	Dry Location (IP20)
CLASS PROTECTION	Class I
SHADE	MLCS049
FLEX   BAR   CHAIN LENGTH	40"
CABLE TYPE	MLCA014   Clear PVC Flexible Cable   2 Core

## FIXING BRACKET: MLWB17



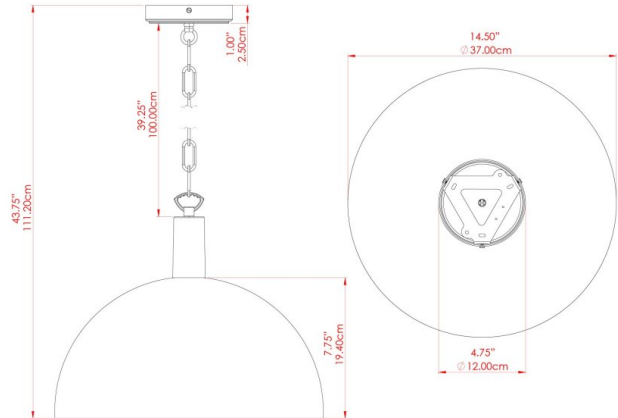
Product Notes:  
 1) Bulbs not included. 2) Dimensions do not include bulbs. 3) All products are individually made-to-order and therefore may differ slightly within manufacturing tolerances. 4) Cable / chain can be shortened during installation. Longer cable / chain lengths available on request. 5) Additional color finishes may be available on request. 6) Twisted cable is not available for UL wired products. Round cable in black or brown only is supplied instead. 7) Refer to our website for a full list of terms and conditions.





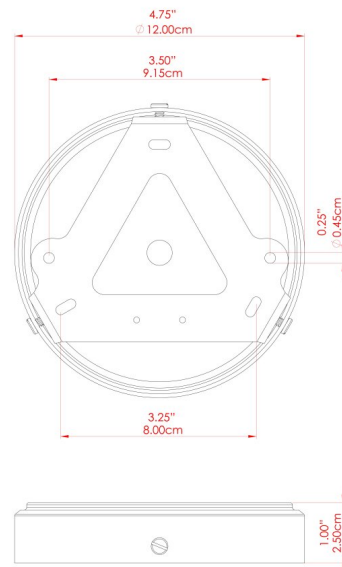
# KAURI Ceramic Pendant

MLCMP062PCMBK Matt Black



MATERIAL	Brass   Ceramic
HEIGHT	11"
WIDTH   DIAMETER	14.5"
LENGTH   PROJECTION	n/a
WEIGHT	8.5 kg   18.8 lbs
LAMPHOLDER	E26
MAX WATTAGE	40W
VOLTAGE	110/120v
ENVIRONMENTAL RATING	Dry Location (IP20)
CLASS PROTECTION	Class I
SHADE	MLCS049
FLEX   BAR   CHAIN LENGTH	40"
CABLE TYPE	MLCA009   Black PVC Flexible Cable   2 Core

## FIXING BRACKET: MLWB17



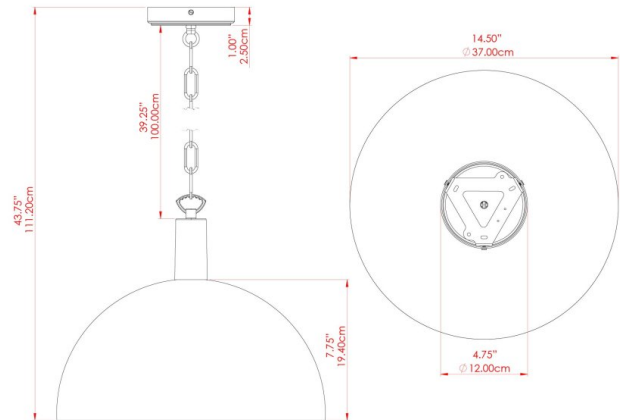
Product Notes:  
 1) Bulbs not included. 2) Dimensions do not include bulbs. 3) All products are individually made-to-order and therefore may differ slightly within manufacturing tolerances. 4) Cable / chain can be shortened during installation. Longer cable / chain lengths available on request. 5) Additional color finishes may be available on request. 6) Twisted cable is not available for UL wired products. Round cable in black or brown only is supplied instead. 7) Refer to our website for a full list of terms and conditions.





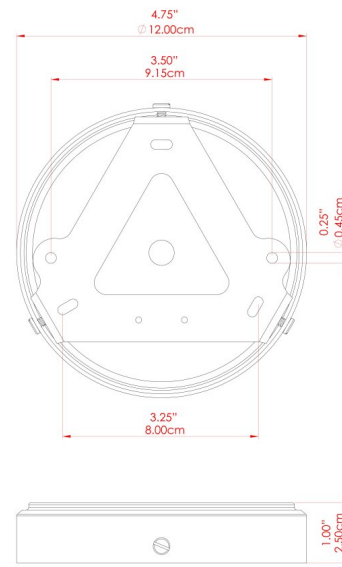
# KAURI Ceramic Pendant

MLCMP062POLBRS Polished Brass



MATERIAL	Brass   Ceramic
HEIGHT	11"
WIDTH   DIAMETER	14.5"
LENGTH   PROJECTION	n/a
WEIGHT	8.5 kg   18.8 lbs
LAMPHOLDER	E26
MAX WATTAGE	40W
VOLTAGE	110/120v
ENVIRONMENTAL RATING	Dry Location (IP20)
CLASS PROTECTION	Class I
SHADE	MLCS049
FLEX   BAR   CHAIN LENGTH	40"
CABLE TYPE	MLCA038   Gold PVC Flexible Cable   2 Core

## FIXING BRACKET: MLWB17



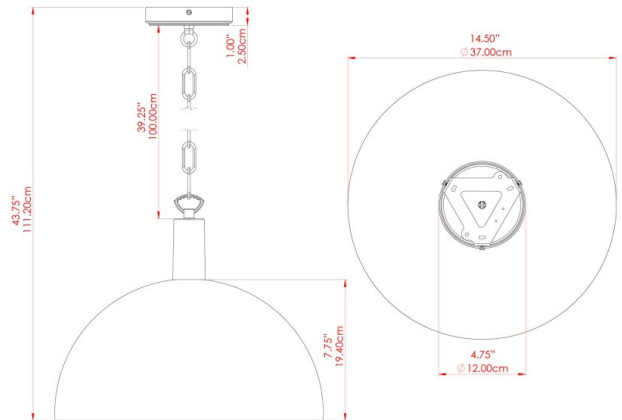
Product Notes:  
 1) Bulbs not included. 2) Dimensions do not include bulbs. 3) All products are individually made-to-order and therefore may differ slightly within manufacturing tolerances. 4) Cable / chain can be shortened during installation. Longer cable / chain lengths available on request. 5) Additional color finishes may be available on request. 6) Twisted cable is not available for UL wired products. Round cable in black or brown only is supplied instead. 7) Refer to our website for a full list of terms and conditions.





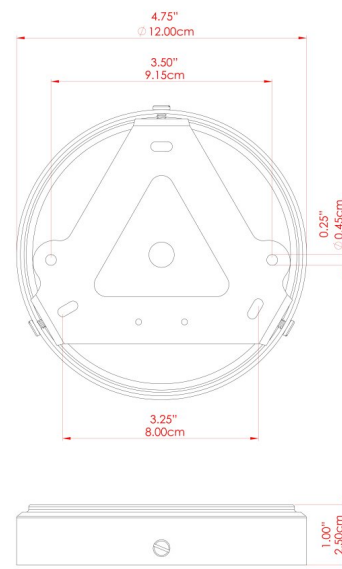
## KAURI Ceramic Pendant

MLCMP062SATBRS Satin Brass



MATERIAL	Brass   Ceramic
HEIGHT	11"
WIDTH   DIAMETER	14.5"
LENGTH   PROJECTION	n/a
WEIGHT	8.5 kg   18.8 lbs
LAMPHOLDER	E26
MAX WATTAGE	40W
VOLTAGE	110/120v
ENVIRONMENTAL RATING	Dry Location (IP20)
CLASS PROTECTION	Class I
SHADE	MLCS049
FLEX   BAR   CHAIN LENGTH	40"
CABLE TYPE	MLCA038   Gold PVC Flexible Cable   2 Core

### FIXING BRACKET: MLWB17



Product Notes:  
1) Bulbs not included. 2) Dimensions do not include bulbs. 3) All products are individually made-to-order and therefore may differ slightly within manufacturing tolerances. 4) Cable / chain can be shortened during installation. Longer cable / chain lengths available on request. 5) Additional color finishes may be available on request. 6) Twisted cable is not available for UL wired products. Round cable in black or brown only is supplied instead. 7) Refer to our website for a full list of terms and conditions.

