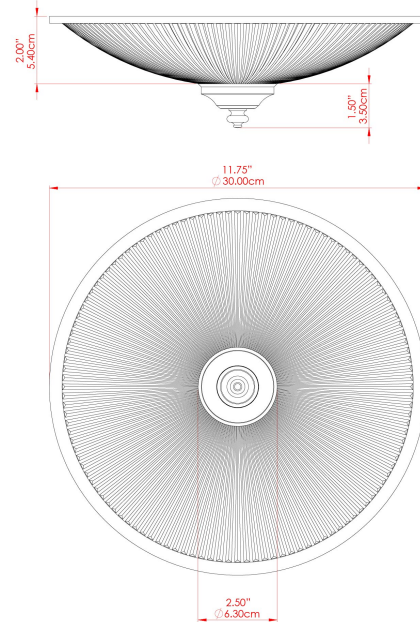


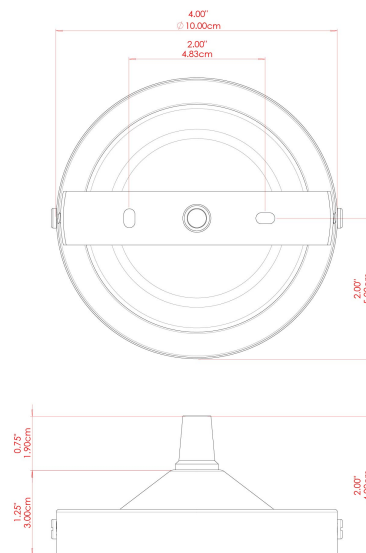
# NICOSA Ceiling Light

## MLCF115ANTBRS Antique Brass



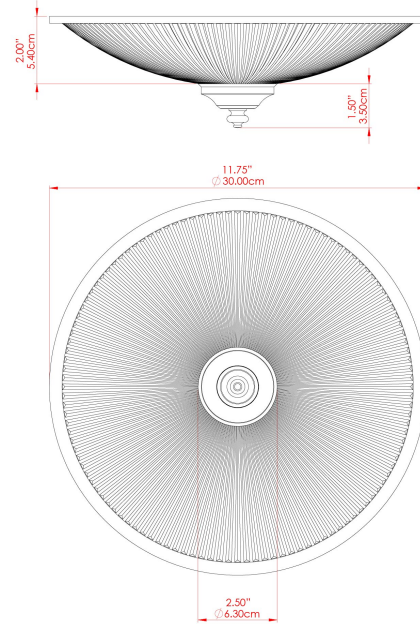
MATERIAL	Brass   Glass
HEIGHT	3.25"
WIDTH   DIAMETER	11.75"
LENGTH   PROJECTION	n/a
WEIGHT	1.3 kg   2.8 lbs
LAMPHOLDER	E12
MAX WATTAGE	60W
VOLTAGE	110/120v
ENVIRONMENTAL RATING	Dry Location (IP20)
CLASS PROTECTION	Class I
SHADE	GL133
FLEX   BAR   CHAIN LENGTH	n/a
CABLE TYPE	

### FIXING BRACKET: MLROSE010PCWTE



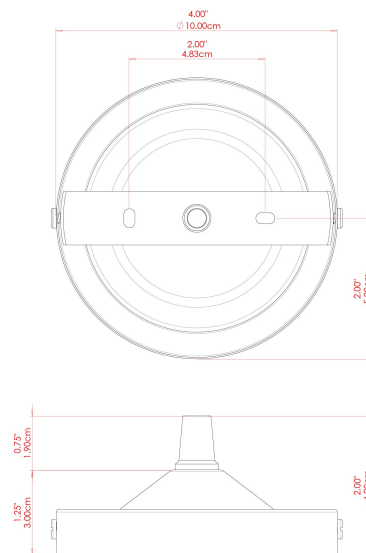
# NICOSA Ceiling Light

## MLCF115ANTSLV Antique Silver



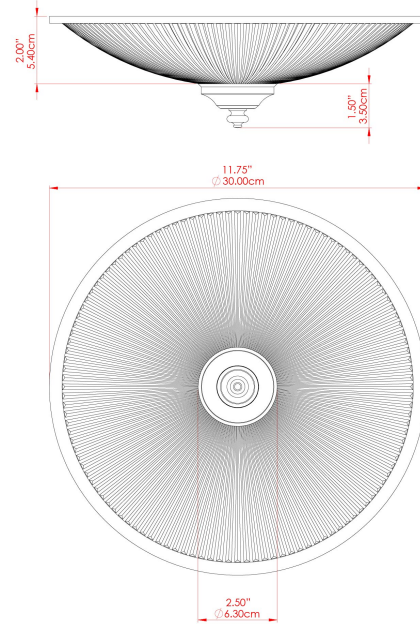
MATERIAL	Brass   Glass
HEIGHT	3.25"
WIDTH   DIAMETER	11.75"
LENGTH   PROJECTION	n/a
WEIGHT	1.3 kg   2.8 lbs
LAMPHOLDER	E12
MAX WATTAGE	60W
VOLTAGE	110/120v
ENVIRONMENTAL RATING	Dry Location (IP20)
CLASS PROTECTION	Class I
SHADE	GL133
FLEX   BAR   CHAIN LENGTH	n/a
CABLE TYPE	

### FIXING BRACKET: MLROSE010PCWTE



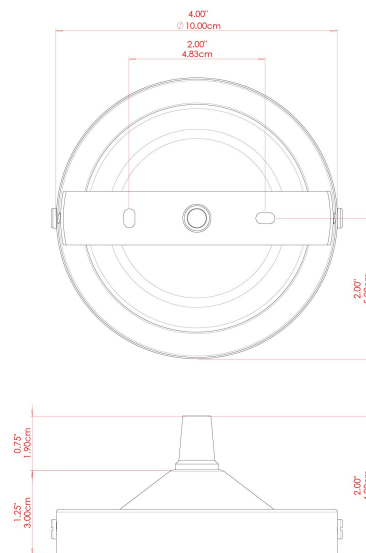
# NICOSA Ceiling Light

## MLCF115POLBRS Polished Brass



MATERIAL	Brass   Glass
HEIGHT	3.25"
WIDTH   DIAMETER	11.75"
LENGTH   PROJECTION	n/a
WEIGHT	1.3 kg   2.8 lbs
LAMPHOLDER	E12
MAX WATTAGE	60W
VOLTAGE	110/120v
ENVIRONMENTAL RATING	Dry Location (IP20)
CLASS PROTECTION	Class I
SHADE	GL133
FLEX   BAR   CHAIN LENGTH	n/a
CABLE TYPE	

### FIXING BRACKET: MLROSE010PCWTE

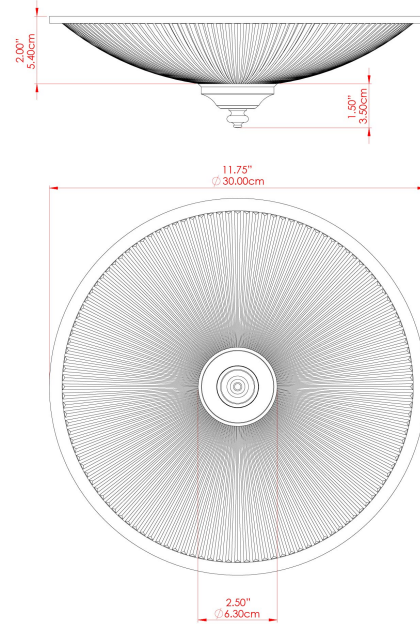


Product Notes:  
 1) Bulbs not included. 2) Dimensions do not include bulbs. 3) All products are individually made-to-order and therefore may differ slightly within manufacturing tolerances. 4) Cable / chain can be shortened during installation. Longer cable / chain lengths available on request. 5) Additional color finishes may be available on request. 6) Twisted cable is not available for UL wired products. Round cable in black or brown only is supplied instead. 7) Refer to our website for a full list of terms and conditions.



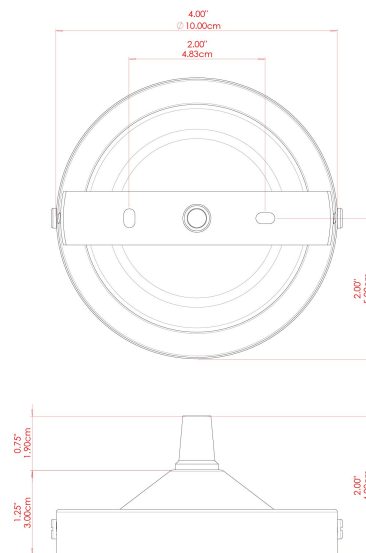
# NICOSA Ceiling Light

## MLCF115POLCHR Polished Chrome



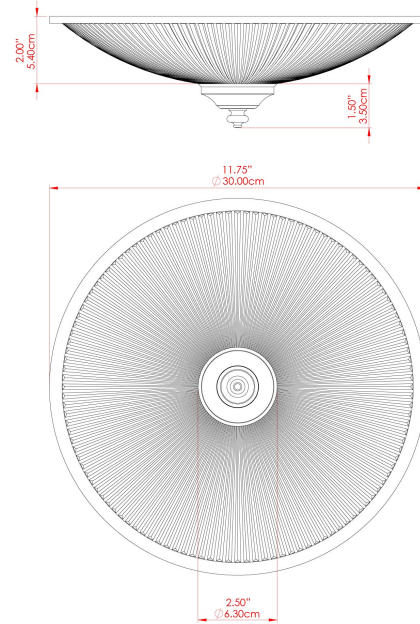
MATERIAL	Brass   Glass
HEIGHT	3.25"
WIDTH   DIAMETER	11.75"
LENGTH   PROJECTION	n/a
WEIGHT	1.3 kg   2.8 lbs
LAMPHOLDER	E12
MAX WATTAGE	60W
VOLTAGE	110/120v
ENVIRONMENTAL RATING	Dry Location (IP20)
CLASS PROTECTION	Class I
SHADE	GL133
FLEX   BAR   CHAIN LENGTH	n/a
CABLE TYPE	

### FIXING BRACKET: MLROSE010PCWTE



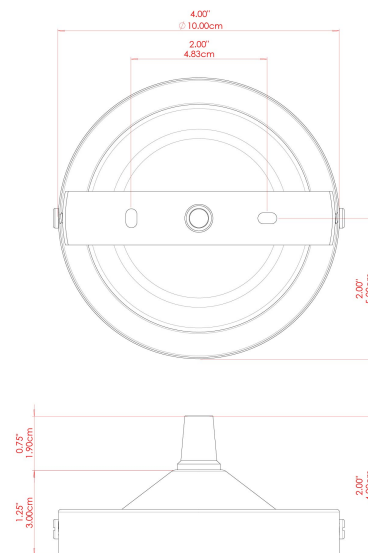
# NICOSA Ceiling Light

## MLCF115SATBRS Satin Brass



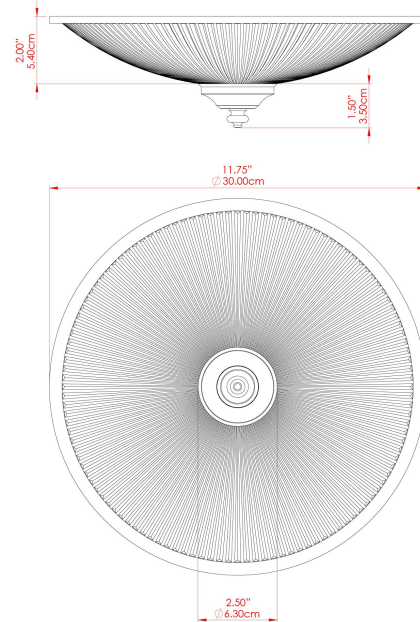
MATERIAL	Brass   Glass
HEIGHT	3.25"
WIDTH   DIAMETER	11.75"
LENGTH   PROJECTION	n/a
WEIGHT	1.3 kg   2.8 lbs
LAMPHOLDER	E12
MAX WATTAGE	60W
VOLTAGE	110/120v
ENVIRONMENTAL RATING	Dry Location (IP20)
CLASS PROTECTION	Class I
SHADE	GL133
FLEX   BAR   CHAIN LENGTH	n/a
CABLE TYPE	

### FIXING BRACKET: MLROSE010PCWTE



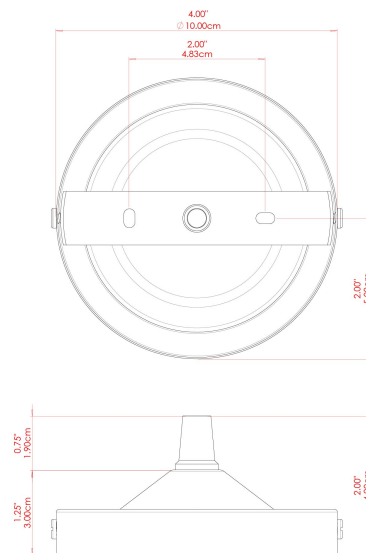
# NICOSA Ceiling Light

## MLCF115SATCHR Satin Chrome



MATERIAL	Brass   Glass
HEIGHT	3.25"
WIDTH   DIAMETER	11.75"
LENGTH   PROJECTION	n/a
WEIGHT	1.3 kg   2.8 lbs
LAMPHOLDER	E12
MAX WATTAGE	60W
VOLTAGE	110/120v
ENVIRONMENTAL RATING	Dry Location (IP20)
CLASS PROTECTION	Class I
SHADE	GL133
FLEX   BAR   CHAIN LENGTH	n/a
CABLE TYPE	

### FIXING BRACKET: MLROSE010PCWTE



Product Notes:  
 1) Bulbs not included. 2) Dimensions do not include bulbs. 3) All products are individually made-to-order and therefore may differ slightly within manufacturing tolerances. 4) Cable / chain can be shortened during installation. Longer cable / chain lengths available on request. 5) Additional color finishes may be available on request. 6) Twisted cable is not available for UL wired products. Round cable in black or brown only is supplied instead. 7) Refer to our website for a full list of terms and conditions.

