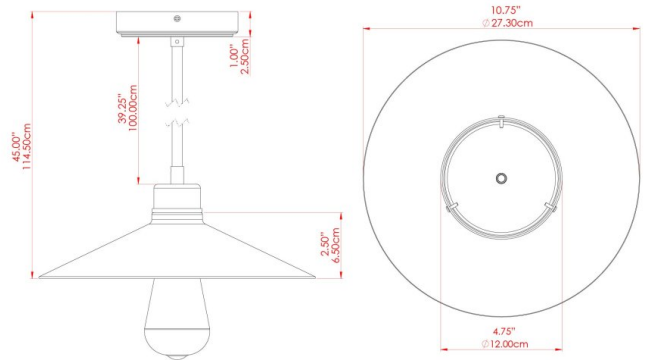


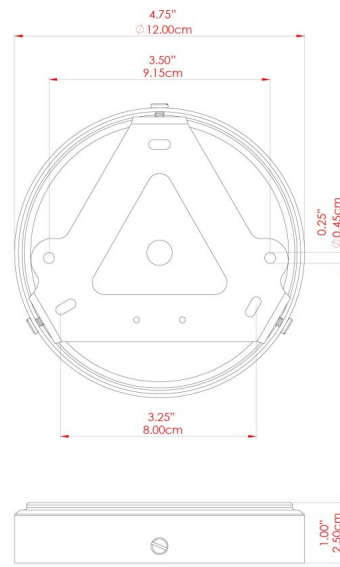
# PYRUS Ceramic Pendant

# MLCMP016ANTBRS Antique Brass



MATERIAL	Brass
HEIGHT	4"
WIDTH   DIAMETER	11"
LENGTH   PROJECTION	n/a
WEIGHT	1.1 kg   2.5 lbs
LAMPHOLDER	E26
MAX WATTAGE	40W
VOLTAGE	110/120v
ENVIRONMENTAL RATING	Dry Location (IP20)
CLASS PROTECTION	Class I
SHADE	MLCS012
FLEX   BAR   CHAIN LENGTH	40"
CABLE TYPE	MLCA047   Brown Fabric Braided Cable   2 Core Round

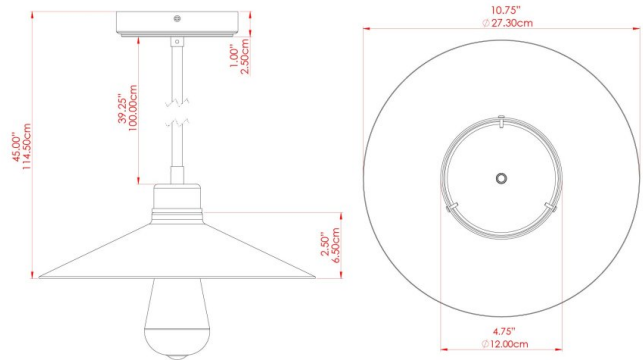
### FIXING BRACKET: MLROSE39 | Antique Brass





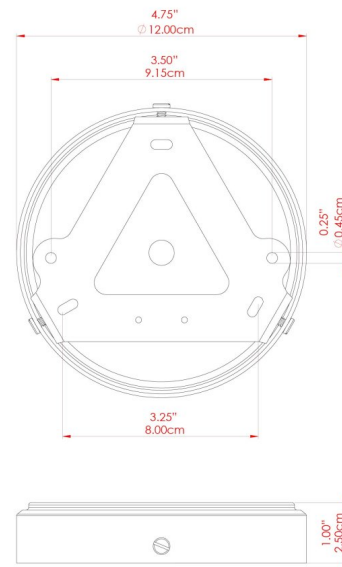
## PYRUS Ceramic Pendant

MLCMP016ANTSLV Antique Silver



MATERIAL	Brass
HEIGHT	4"
WIDTH   DIAMETER	11"
LENGTH   PROJECTION	n/a
WEIGHT	1.1 kg   2.5 lbs
LAMPHOLDER	E26
MAX WATTAGE	40W
VOLTAGE	110/120v
ENVIRONMENTAL RATING	Dry Location (IP20)
CLASS PROTECTION	Class I
SHADE	MLCS012
FLEX   BAR   CHAIN LENGTH	40"
CABLE TYPE	MLCA028   Black Fabric Braided Cable   2 Core Round

FIXING BRACKET: MLROSE39 | Antique Silver



WWW.MULLANLIGHTING.COM

### Product Notes:

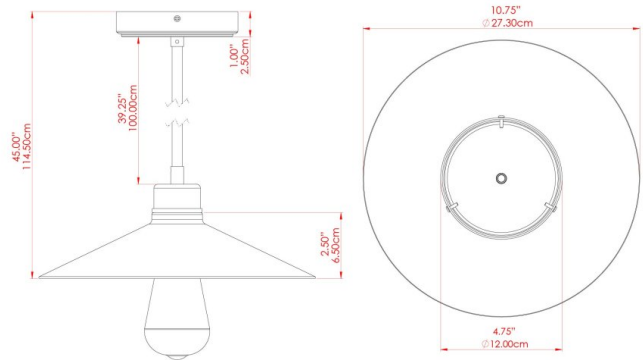
1) Bulbs not included. 2) Dimensions do not include bulbs. 3) All products are individually made-to-order and therefore may differ slightly within manufacturing tolerances. 4) Cable / chain can be shortened during installation. Longer cable / chain lengths available on request. 5) Additional color finishes may be available on request. 6) Twisted cable is not available for UL wired products. Round cable in black or brown only is supplied instead. 7) Refer to our website for a full list of terms and conditions.





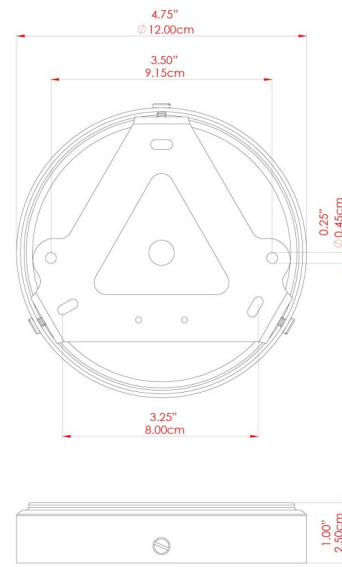
## PYRUS Ceramic Pendant

MLCMP016POLBRS Polished Brass



MATERIAL	Brass
HEIGHT	4"
WIDTH   DIAMETER	11"
LENGTH   PROJECTION	n/a
WEIGHT	1.1 kg   2.5 lbs
LAMPHOLDER	E26
MAX WATTAGE	40W
VOLTAGE	110/120v
ENVIRONMENTAL RATING	Dry Location (IP20)
CLASS PROTECTION	Class I
SHADE	MLCS012
FLEX   BAR   CHAIN LENGTH	40"
CABLE TYPE	MLCA028   Black Fabric Braided Cable   2 Core Round

FIXING BRACKET: MLROSE39 | Polished Brass



WWW.MULLANLIGHTING.COM

### Product Notes:

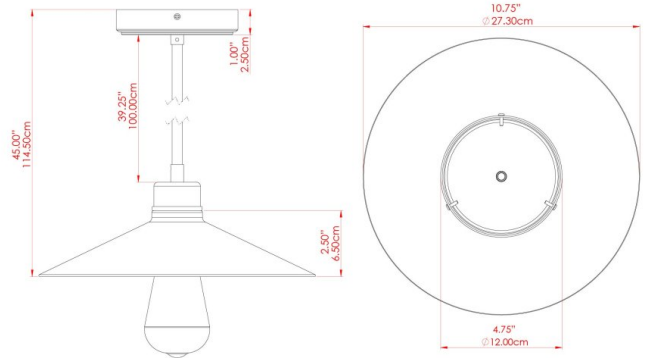
1) Bulbs not included. 2) Dimensions do not include bulbs. 3) All products are individually made-to-order and therefore may differ slightly within manufacturing tolerances. 4) Cable / chain can be shortened during installation. Longer cable / chain lengths available on request. 5) Additional color finishes may be available on request. 6) Twisted cable is not available for UL wired products. Round cable in black or brown only is supplied instead. 7) Refer to our website for a full list of terms and conditions.





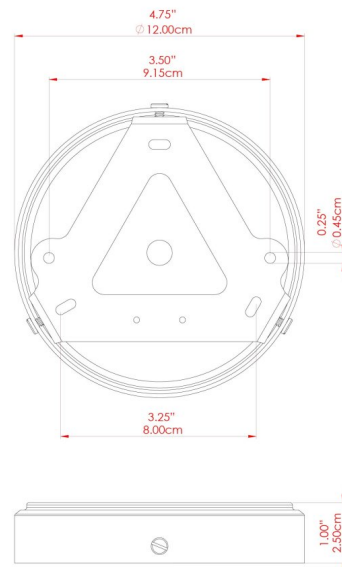
# PYRUS Ceramic Pendant

MLCMP016POLCOP Polished Copper



MATERIAL	Brass
HEIGHT	4"
WIDTH   DIAMETER	11"
LENGTH   PROJECTION	n/a
WEIGHT	1.1 kg   2.5 lbs
LAMPHOLDER	E26
MAX WATTAGE	40W
VOLTAGE	110/120v
ENVIRONMENTAL RATING	Dry Location (IP20)
CLASS PROTECTION	Class I
SHADE	MLCS012
FLEX   BAR   CHAIN LENGTH	40"
CABLE TYPE	MLCA028   Black Fabric Braided Cable   2 Core Round

FIXING BRACKET: MLROSE39 | Polished Copper



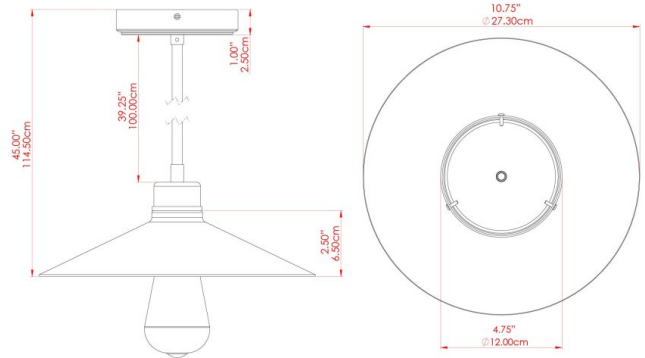
Product Notes:  
 1) Bulbs not included. 2) Dimensions do not include bulbs. 3) All products are individually made-to-order and therefore may differ slightly within manufacturing tolerances. 4) Cable / chain can be shortened during installation. Longer cable / chain lengths available on request. 5) Additional color finishes may be available on request. 6) Twisted cable is not available for UL wired products. Round cable in black or brown only is supplied instead. 7) Refer to our website for a full list of terms and conditions.





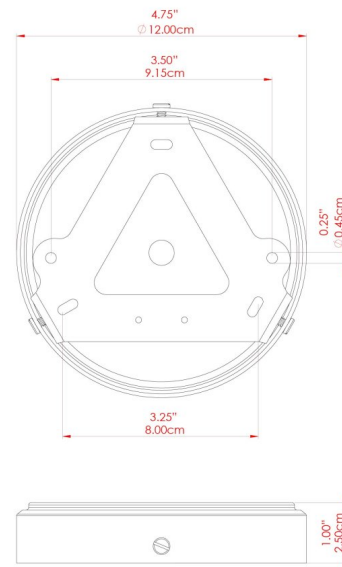
## PYRUS Ceramic Pendant

MLCMP016SATBRS Satin Brass



MATERIAL	Brass
HEIGHT	4"
WIDTH   DIAMETER	11"
LENGTH   PROJECTION	n/a
WEIGHT	1.1 kg   2.5 lbs
LAMPHOLDER	E26
MAX WATTAGE	40W
VOLTAGE	110/120v
ENVIRONMENTAL RATING	Dry Location (IP20)
CLASS PROTECTION	Class I
SHADE	MLCS012
FLEX   BAR   CHAIN LENGTH	40"
CABLE TYPE	MLCA028   Black Fabric Braided Cable   2 Core Round

FIXING BRACKET: MLROSE39 | Satin Brass



WWW.MULLANLIGHTING.COM

### Product Notes:

1) Bulbs not included. 2) Dimensions do not include bulbs. 3) All products are individually made-to-order and therefore may differ slightly within manufacturing tolerances. 4) Cable / chain can be shortened during installation. Longer cable / chain lengths available on request. 5) Additional color finishes may be available on request. 6) Twisted cable is not available for UL wired products. Round cable in black or brown only is supplied instead. 7) Refer to our website for a full list of terms and conditions.

