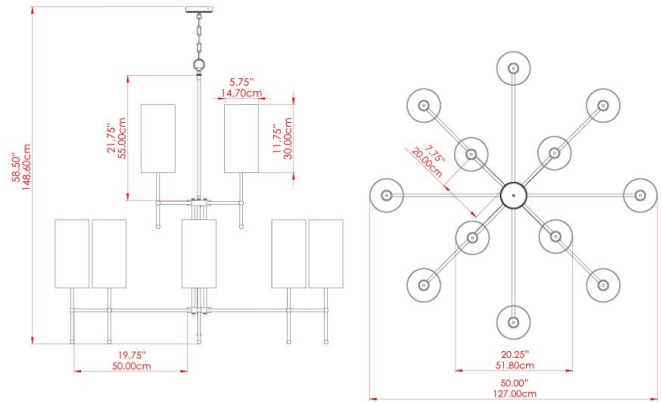




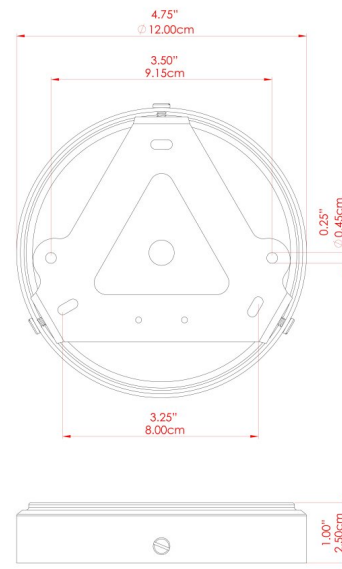
ARIZONA Chandelier

MLF342ANTBRS Antique Brass



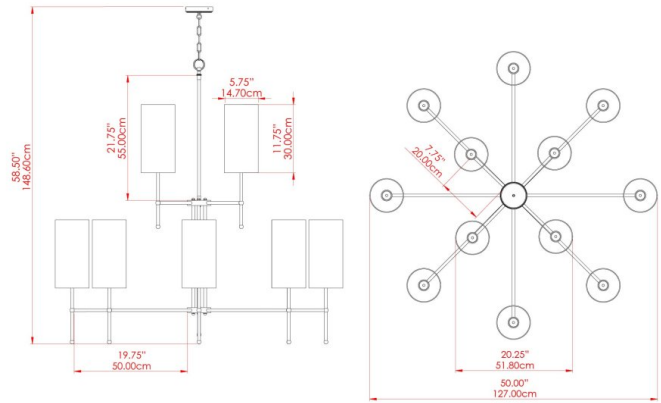
MATERIAL	Brass Fabric
HEIGHT	47.25"
WIDTH DIAMETER	50"
LENGTH PROJECTION	n/a
WEIGHT	16 kg 35.3 lbs
LAMPHOLDER	E26
MAX WATTAGE	40W
VOLTAGE	110/120v
ENVIRONMENTAL RATING	Dry Location (IP20)
CLASS PROTECTION	Class I
SHADE	MLFS009
FLEX BAR CHAIN LENGTH	40"
CABLE TYPE	MLCA036 Brown PVC Flexible Cable 3 Core

FIXING BRACKET: MLWB17 | Antique Brass



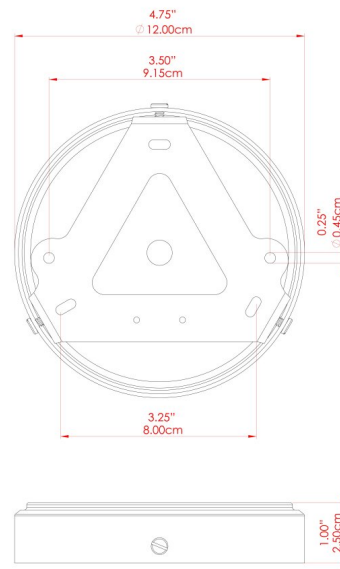
Product Notes:
 1) Bulbs not included. 2) Dimensions do not include bulbs. 3) All products are individually made-to-order and therefore may differ slightly within manufacturing tolerances. 4) Cable / chain can be shortened during installation. Longer cable / chain lengths available on request. 5) Additional color finishes may be available on request. 6) Twisted cable is not available for UL wired products. Round cable in black or brown only is supplied instead. 7) Refer to our website for a full list of terms and conditions.





MATERIAL	Brass Fabric
HEIGHT	47.25"
WIDTH DIAMETER	50"
LENGTH PROJECTION	n/a
WEIGHT	16 kg 35.3 lbs
LAMPHOLDER	E26
MAX WATTAGE	40W
VOLTAGE	110/120v
ENVIRONMENTAL RATING	Dry Location (IP20)
CLASS PROTECTION	Class I
SHADE	MLFS009
FLEX BAR CHAIN LENGTH	40"
CABLE TYPE	MLCA013 Clear PVC Flexible Cable 3 Core

FIXING BRACKET: MLWB17 | Antique Silver



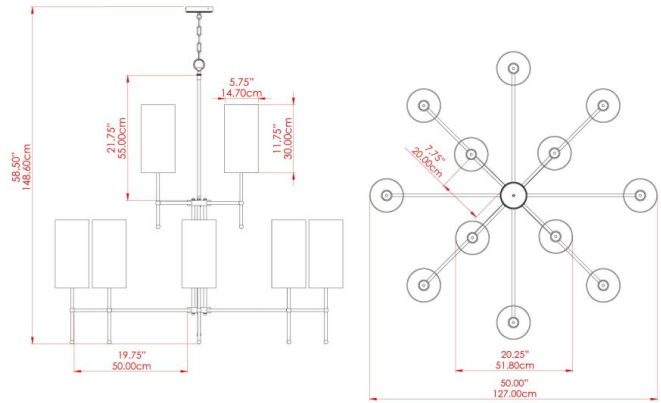
Product Notes:
 1) Bulbs not included. 2) Dimensions do not include bulbs. 3) All products are individually made-to-order and therefore may differ slightly within manufacturing tolerances. 4) Cable / chain can be shortened during installation. Longer cable / chain lengths available on request. 5) Additional color finishes may be available on request. 6) Twisted cable is not available for UL wired products. Round cable in black or brown only is supplied instead. 7) Refer to our website for a full list of terms and conditions.





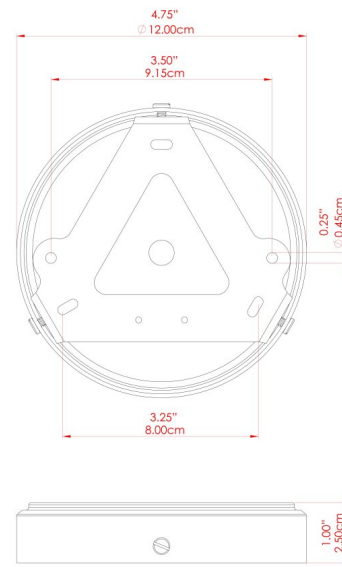
ARIZONA Chandelier

MLF342POLBRS Polished Brass



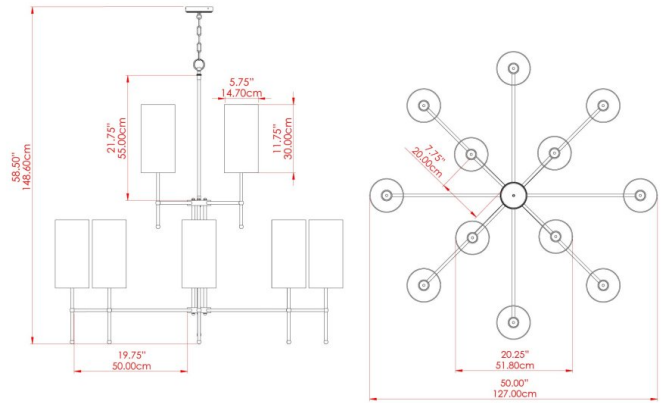
MATERIAL	Brass Fabric
HEIGHT	47.25"
WIDTH DIAMETER	50"
LENGTH PROJECTION	n/a
WEIGHT	16 kg 35.3 lbs
LAMPHOLDER	E26
MAX WATTAGE	40W
VOLTAGE	110/120v
ENVIRONMENTAL RATING	Dry Location (IP20)
CLASS PROTECTION	Class I
SHADE	MLFS009
FLEX BAR CHAIN LENGTH	40"
CABLE TYPE	MLCA012 Gold PVC Flexible Cable 3 Core

FIXING BRACKET: MLWB17 | Polished Brass



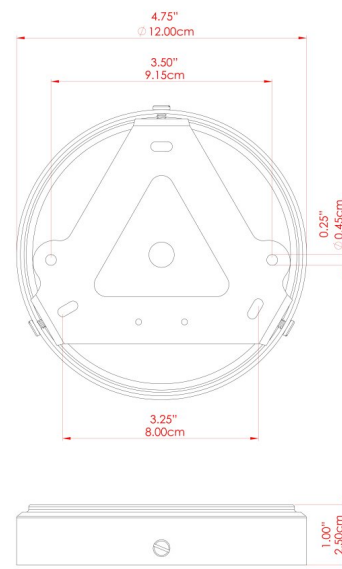
Product Notes:
 1) Bulbs not included. 2) Dimensions do not include bulbs. 3) All products are individually made-to-order and therefore may differ slightly within manufacturing tolerances. 4) Cable / chain can be shortened during installation. Longer cable / chain lengths available on request. 5) Additional color finishes may be available on request. 6) Twisted cable is not available for UL wired products. Round cable in black or brown only is supplied instead. 7) Refer to our website for a full list of terms and conditions.





MATERIAL	Brass Fabric
HEIGHT	47.25"
WIDTH DIAMETER	50"
LENGTH PROJECTION	n/a
WEIGHT	16 kg 35.3 lbs
LAMPHOLDER	E26
MAX WATTAGE	40W
VOLTAGE	110/120v
ENVIRONMENTAL RATING	Dry Location (IP20)
CLASS PROTECTION	Class I
SHADE	MLFS009
FLEX BAR CHAIN LENGTH	40"
CABLE TYPE	MLCA012 Gold PVC Flexible Cable 3 Core

FIXING BRACKET: MLWB17 | Satin Brass



Product Notes:
 1) Bulbs not included. 2) Dimensions do not include bulbs. 3) All products are individually made-to-order and therefore may differ slightly within manufacturing tolerances. 4) Cable / chain can be shortened during installation. Longer cable / chain lengths available on request. 5) Additional color finishes may be available on request. 6) Twisted cable is not available for UL wired products. Round cable in black or brown only is supplied instead. 7) Refer to our website for a full list of terms and conditions.

