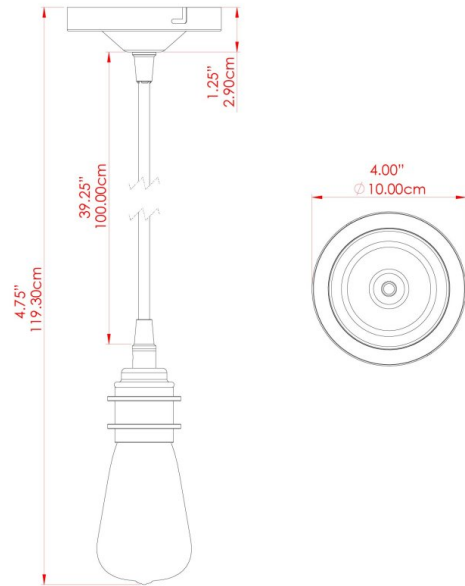


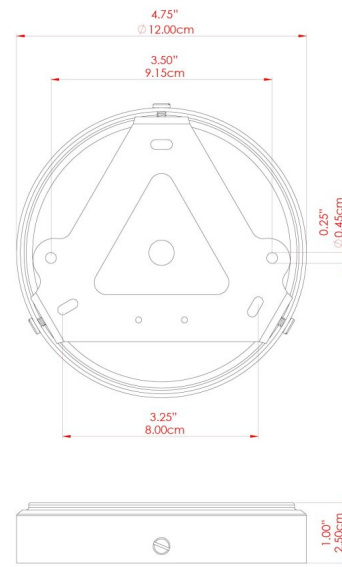
# DILI Pendant

## MLP374ANTBRS Antique Brass



MATERIAL	Brass
HEIGHT	3.25"
WIDTH   DIAMETER	2"
LENGTH   PROJECTION	n/a
WEIGHT	0.28 kg   0.5 lbs
LAMPHOLDER	E26
MAX WATTAGE	60W
VOLTAGE	110/120v
ENVIRONMENTAL RATING	Dry Location (IP20)
CLASS PROTECTION	Class I
SHADE	-
FLEX   BAR   CHAIN LENGTH	40"
CABLE TYPE	MLCA046   Brown Fabric Braided Cable   3 Core Round

### FIXING BRACKET: MLROSE39 | Antique Brass



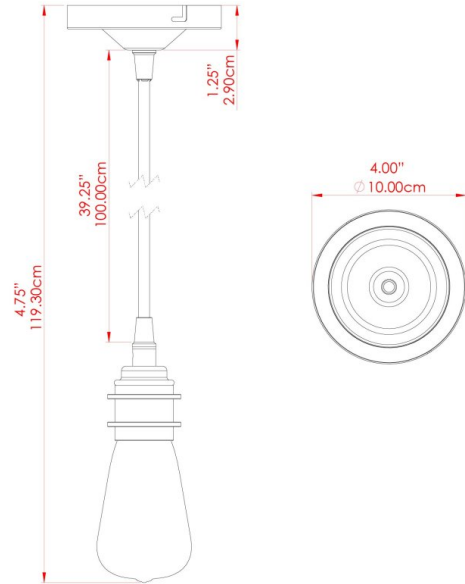
**Product Notes:**

1) Bulbs not included. 2) Dimensions do not include bulbs. 3) All products are individually made-to-order and therefore may differ slightly within manufacturing tolerances. 4) Cable / chain can be shortened during installation. Longer cable / chain lengths available on request. 5) Additional color finishes may be available on request. 6) Twisted cable is not available for UL wired products. Round cable in black or brown only is supplied instead. 7) Refer to our website for a full list of terms and conditions.



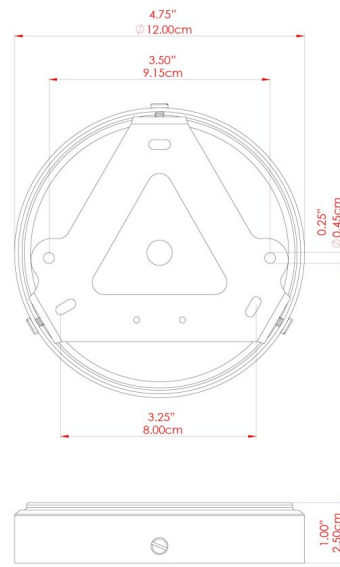
# DILI Pendant

# MLP374ANTSLV Antique Silver



MATERIAL	Brass
HEIGHT	3.25"
WIDTH   DIAMETER	2"
LENGTH   PROJECTION	n/a
WEIGHT	0.28 kg   0.5 lbs
LAMPHOLDER	E26
MAX WATTAGE	60W
VOLTAGE	110/120v
ENVIRONMENTAL RATING	Dry Location (IP20)
CLASS PROTECTION	Class I
SHADE	-
FLEX   BAR   CHAIN LENGTH	40"
CABLE TYPE	MLCA029   Black Fabric Braided Cable   3 Core Round

### FIXING BRACKET: MLROSE39 | Antique Silver



**Product Notes:**

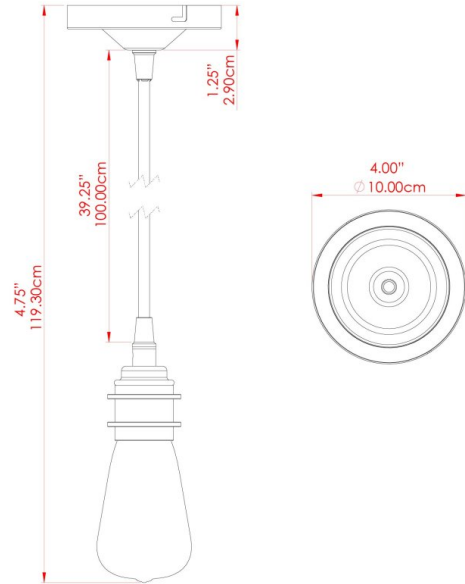
1) Bulbs not included. 2) Dimensions do not include bulbs. 3) All products are individually made-to-order and therefore may differ slightly within manufacturing tolerances. 4) Cable / chain can be shortened during installation. Longer cable / chain lengths available on request. 5) Additional color finishes may be available on request. 6) Twisted cable is not available for UL wired products. Round cable in black or brown only is supplied instead. 7) Refer to our website for a full list of terms and conditions.





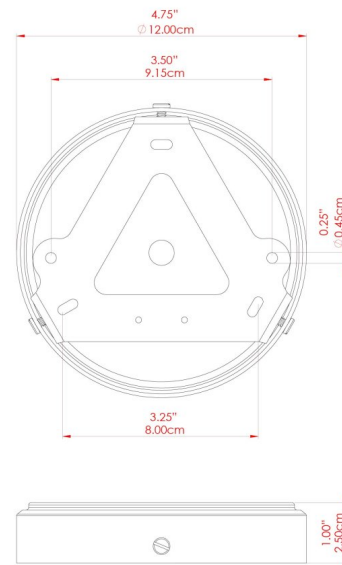
# DILI Pendant

MLP374POLBRS Polished Brass



MATERIAL	Brass
HEIGHT	3.25"
WIDTH   DIAMETER	2"
LENGTH   PROJECTION	n/a
WEIGHT	0.28 kg   0.5 lbs
LAMPHOLDER	E26
MAX WATTAGE	60W
VOLTAGE	110/120v
ENVIRONMENTAL RATING	Dry Location (IP20)
CLASS PROTECTION	Class I
SHADE	-
FLEX   BAR   CHAIN LENGTH	40"
CABLE TYPE	MLCA029   Black Fabric Braided Cable   3 Core Round

FIXING BRACKET: MLROSE39 | Polished Brass

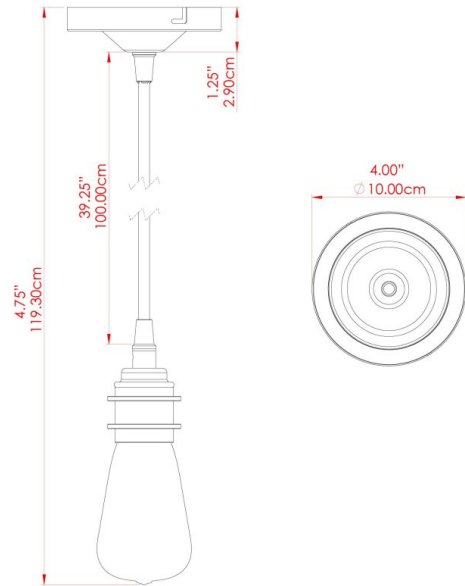


Product Notes:  
 1) Bulbs not included. 2) Dimensions do not include bulbs. 3) All products are individually made-to-order and therefore may differ slightly within manufacturing tolerances. 4) Cable / chain can be shortened during installation. Longer cable / chain lengths available on request. 5) Additional color finishes may be available on request. 6) Twisted cable is not available for UL wired products. Round cable in black or brown only is supplied instead. 7) Refer to our website for a full list of terms and conditions.



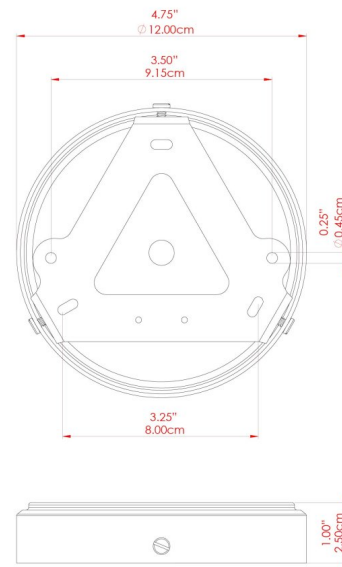
# DILI Pendant

MLP374POLBRSWTE Polished Brass



MATERIAL	Brass
HEIGHT	3.25"
WIDTH   DIAMETER	2"
LENGTH   PROJECTION	n/a
WEIGHT	0.28 kg   0.5 lbs
LAMPHOLDER	E26
MAX WATTAGE	60W
VOLTAGE	110/120v
ENVIRONMENTAL RATING	Dry Location (IP20)
CLASS PROTECTION	Class I
SHADE	-
FLEX   BAR   CHAIN LENGTH	40"
CABLE TYPE	MLCA068   White Fabric Braided Cable   3 Core Round

## FIXING BRACKET: MLROSE39 | Polished Brass



**Product Notes:**

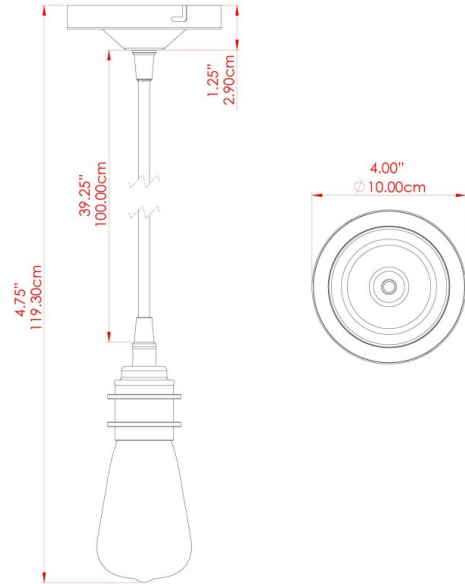
1) Bulbs not included. 2) Dimensions do not include bulbs. 3) All products are individually made-to-order and therefore may differ slightly within manufacturing tolerances. 4) Cable / chain can be shortened during installation. Longer cable / chain lengths available on request. 5) Additional color finishes may be available on request. 6) Twisted cable is not available for UL wired products. Round cable in black or brown only is supplied instead. 7) Refer to our website for a full list of terms and conditions.





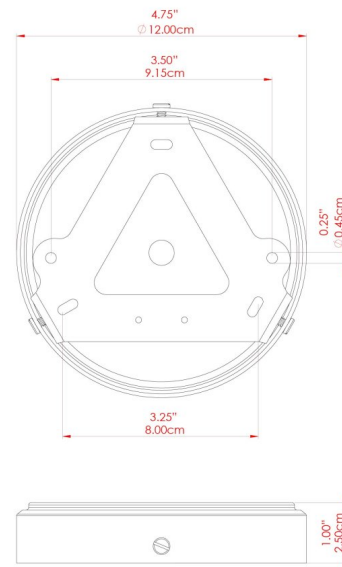
# DILI Pendant

## MLP374POLCHR Polished Chrome



MATERIAL	Brass
HEIGHT	3.25"
WIDTH   DIAMETER	2"
LENGTH   PROJECTION	n/a
WEIGHT	0.28 kg   0.5 lbs
LAMPHOLDER	E26
MAX WATTAGE	60W
VOLTAGE	110/120v
ENVIRONMENTAL RATING	Dry Location (IP20)
CLASS PROTECTION	Class I
SHADE	-
FLEX   BAR   CHAIN LENGTH	40"
CABLE TYPE	MLCA029   Black Fabric Braided Cable   3 Core Round

### FIXING BRACKET: MLROSE39 | Polished Chrome



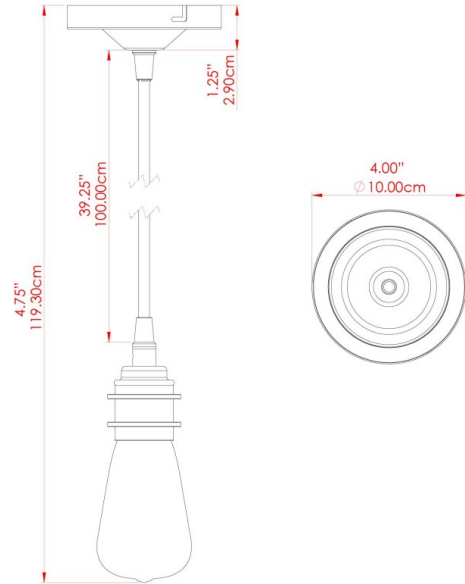
**Product Notes:**

1) Bulbs not included. 2) Dimensions do not include bulbs. 3) All products are individually made-to-order and therefore may differ slightly within manufacturing tolerances. 4) Cable / chain can be shortened during installation. Longer cable / chain lengths available on request. 5) Additional color finishes may be available on request. 6) Twisted cable is not available for UL wired products. Round cable in black or brown only is supplied instead. 7) Refer to our website for a full list of terms and conditions.



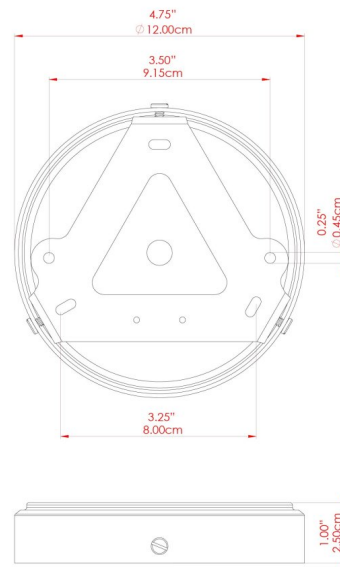
# DILI Pendant

## MLP374POLCOP Polished Copper



MATERIAL	Brass   Copper
HEIGHT	3.25"
WIDTH   DIAMETER	2"
LENGTH   PROJECTION	n/a
WEIGHT	0.28 kg   0.5 lbs
LAMPHOLDER	E26
MAX WATTAGE	60W
VOLTAGE	110/120v
ENVIRONMENTAL RATING	Dry Location (IP20)
CLASS PROTECTION	Class I
SHADE	-
FLEX   BAR   CHAIN LENGTH	40"
CABLE TYPE	MLCA029   Black Fabric Braided Cable   3 Core Round

### FIXING BRACKET: MLROSE39 | Copper

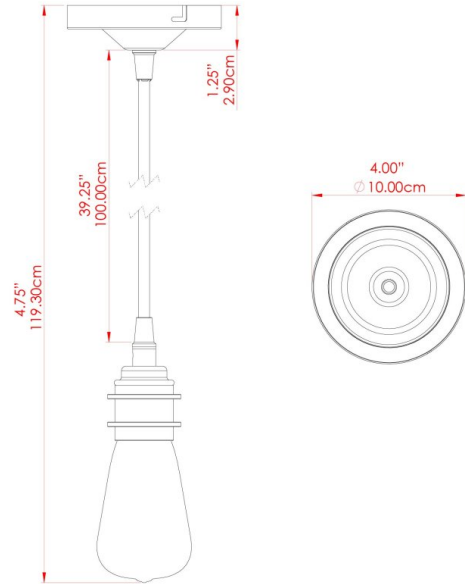


Product Notes:  
 1) Bulbs not included. 2) Dimensions do not include bulbs. 3) All products are individually made-to-order and therefore may differ slightly within manufacturing tolerances. 4) Cable / chain can be shortened during installation. Longer cable / chain lengths available on request. 5) Additional color finishes may be available on request. 6) Twisted cable is not available for UL wired products. Round cable in black or brown only is supplied instead. 7) Refer to our website for a full list of terms and conditions.



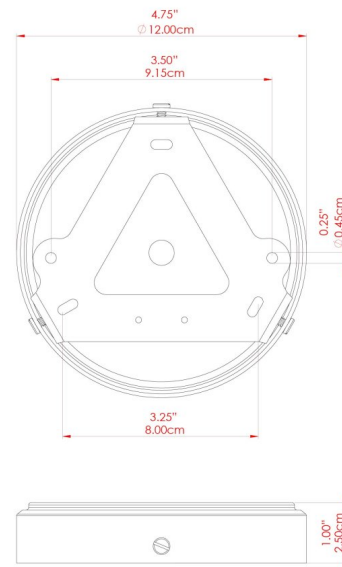
# DILI Pendant

## MLP374SATBRS Satin Brass



MATERIAL	Brass
HEIGHT	3.25"
WIDTH   DIAMETER	2"
LENGTH   PROJECTION	n/a
WEIGHT	0.28 kg   0.5 lbs
LAMPHOLDER	E26
MAX WATTAGE	60W
VOLTAGE	110/120v
ENVIRONMENTAL RATING	Dry Location (IP20)
CLASS PROTECTION	Class I
SHADE	-
FLEX   BAR   CHAIN LENGTH	40"
CABLE TYPE	MLCA029   Black Fabric Braided Cable   3 Core Round

### FIXING BRACKET: MLROSE39 | Satin Brass



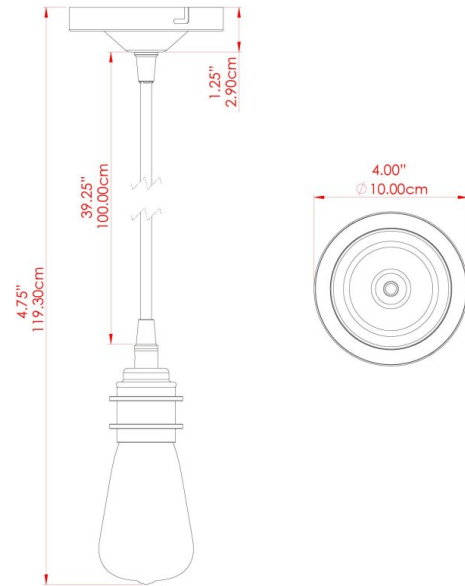
Product Notes:  
 1) Bulbs not included. 2) Dimensions do not include bulbs. 3) All products are individually made-to-order and therefore may differ slightly within manufacturing tolerances. 4) Cable / chain can be shortened during installation. Longer cable / chain lengths available on request. 5) Additional color finishes may be available on request. 6) Twisted cable is not available for UL wired products. Round cable in black or brown only is supplied instead. 7) Refer to our website for a full list of terms and conditions.





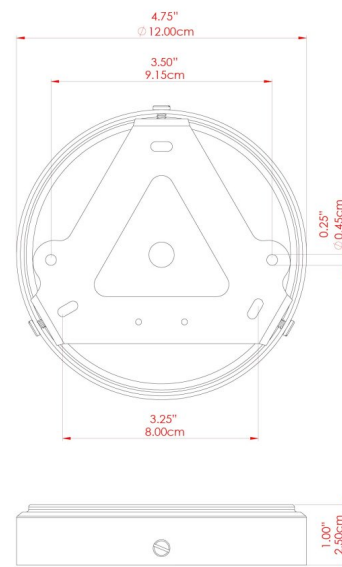
## DILI Pendant

MLP374SATBRSWTE Satin Brass



MATERIAL	Brass
HEIGHT	3.25"
WIDTH   DIAMETER	2"
LENGTH   PROJECTION	n/a
WEIGHT	0.28 kg   0.5 lbs
LAMPHOLDER	E26
MAX WATTAGE	60W
VOLTAGE	110/120v
ENVIRONMENTAL RATING	Dry Location (IP20)
CLASS PROTECTION	Class I
SHADE	-
FLEX   BAR   CHAIN LENGTH	40"
CABLE TYPE	MLCA068   White Fabric Braided Cable   3 Core Round

FIXING BRACKET: MLROSE39 | Satin Brass



WWW.MULLANLIGHTING.COM

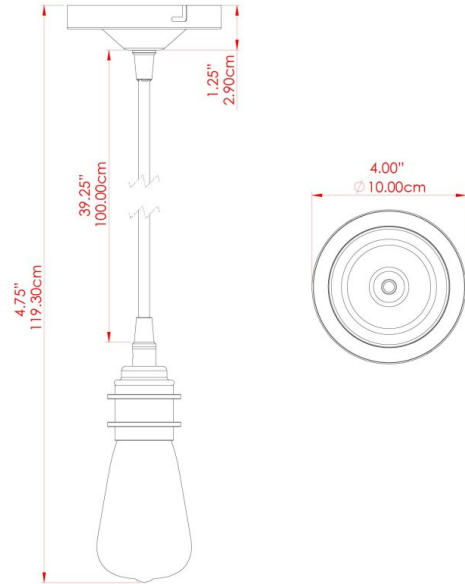
**Product Notes:**

1) Bulbs not included. 2) Dimensions do not include bulbs. 3) All products are individually made-to-order and therefore may differ slightly within manufacturing tolerances. 4) Cable / chain can be shortened during installation. Longer cable / chain lengths available on request. 5) Additional color finishes may be available on request. 6) Twisted cable is not available for UL wired products. Round cable in black or brown only is supplied instead. 7) Refer to our website for a full list of terms and conditions.



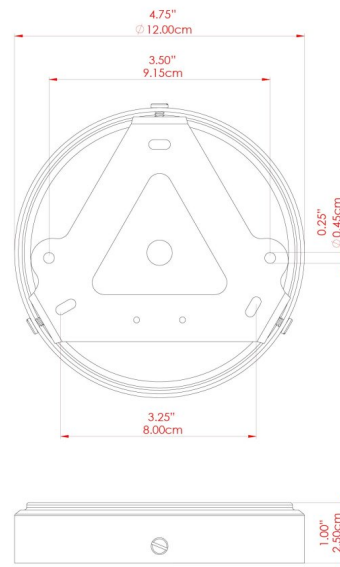
# DILI Pendant

# MLP374SATCHR Satin Chrome



MATERIAL	Brass
HEIGHT	3.25"
WIDTH   DIAMETER	2"
LENGTH   PROJECTION	n/a
WEIGHT	0.28 kg   0.5 lbs
LAMPHOLDER	E26
MAX WATTAGE	60W
VOLTAGE	110/120v
ENVIRONMENTAL RATING	Dry Location (IP20)
CLASS PROTECTION	Class I
SHADE	-
FLEX   BAR   CHAIN LENGTH	40"
CABLE TYPE	MLCA029   Black Fabric Braided Cable   3 Core Round

### FIXING BRACKET: MLROSE39 | Satin Chrome



Product Notes:  
 1) Bulbs not included. 2) Dimensions do not include bulbs. 3) All products are individually made-to-order and therefore may differ slightly within manufacturing tolerances. 4) Cable / chain can be shortened during installation. Longer cable / chain lengths available on request. 5) Additional color finishes may be available on request. 6) Twisted cable is not available for UL wired products. Round cable in black or brown only is supplied instead. 7) Refer to our website for a full list of terms and conditions.

