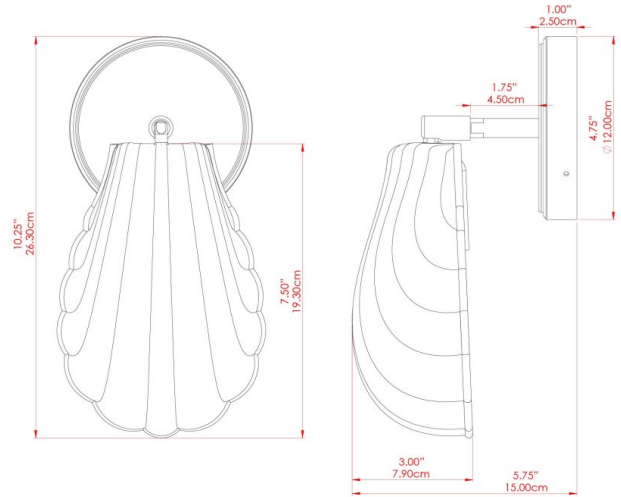


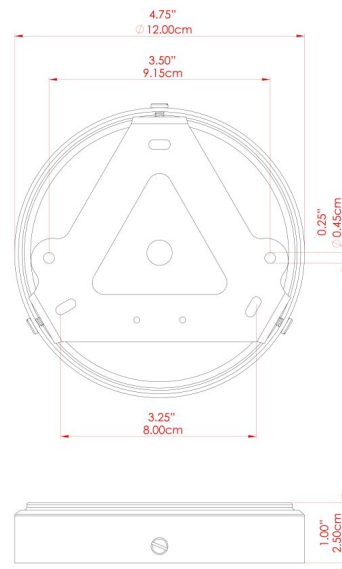
# SHELL Wall Light

## MLWL517ANTBRS Antique Brass



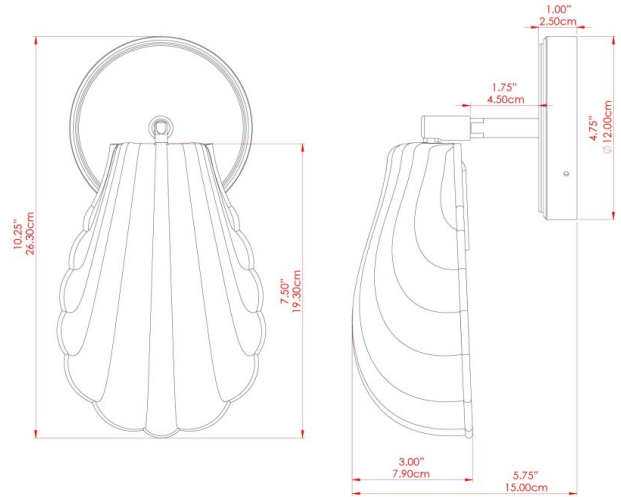
MATERIAL	Brass
HEIGHT	10.5"
WIDTH   DIAMETER	4.75"
LENGTH   PROJECTION	6.25"-11.5"
WEIGHT	0.8 kg   1.8 lbs
LAMPHOLDER	E26
MAX WATTAGE	40W
VOLTAGE	110/120v
ENVIRONMENTAL RATING	Dry Location (IP20)
CLASS PROTECTION	Class I
SHADE	INTE-SHELL-BRASS
FLEX   BAR   CHAIN LENGTH	n/a
CABLE TYPE	

### FIXING BRACKET: MLWB17



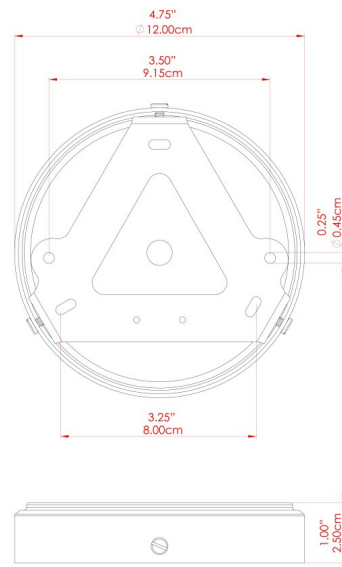
# SHELL Wall Light

## MLWL517ANTSLV Antique Silver



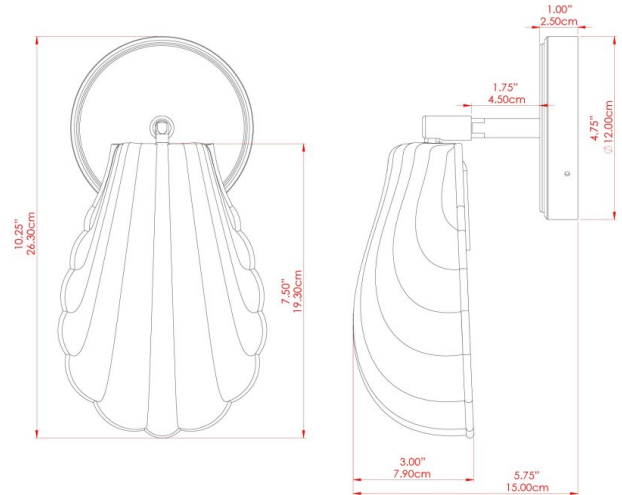
MATERIAL	Brass
HEIGHT	10.5"
WIDTH   DIAMETER	4.75"
LENGTH   PROJECTION	6.25"-11.5"
WEIGHT	0.8 kg   1.8 lbs
LAMPHOLDER	E26
MAX WATTAGE	40W
VOLTAGE	110/120v
ENVIRONMENTAL RATING	Dry Location (IP20)
CLASS PROTECTION	Class I
SHADE	INTE-SHELL-BRASS
FLEX   BAR   CHAIN LENGTH	n/a
CABLE TYPE	

### FIXING BRACKET: MLWB17



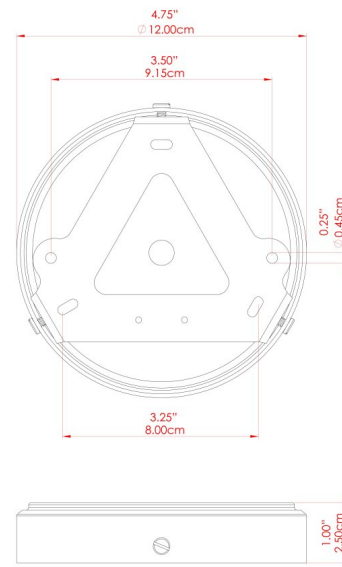
# SHELL Wall Light

## MLWL517POLBRS Polished Brass



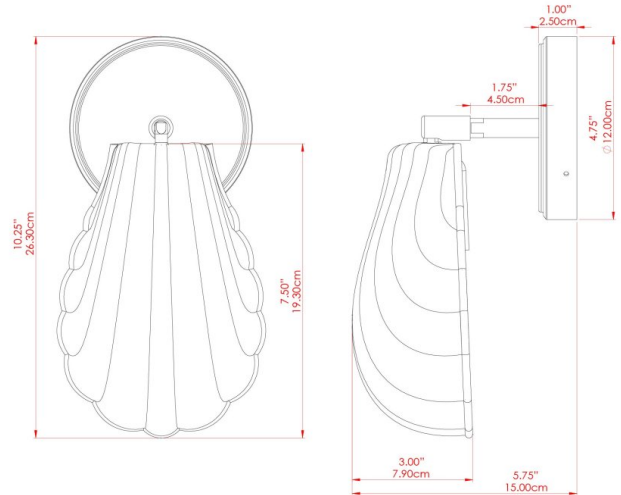
MATERIAL	Brass
HEIGHT	10.5"
WIDTH   DIAMETER	4.75"
LENGTH   PROJECTION	6.25"-11.5"
WEIGHT	0.8 kg   1.8 lbs
LAMPHOLDER	E26
MAX WATTAGE	40W
VOLTAGE	110/120v
ENVIRONMENTAL RATING	Dry Location (IP20)
CLASS PROTECTION	Class I
SHADE	INTE-SHELL-BRASS
FLEX   BAR   CHAIN LENGTH	n/a
CABLE TYPE	

### FIXING BRACKET: MLWB17



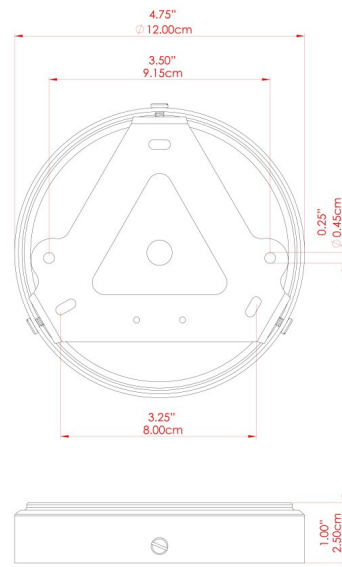
# SHELL Wall Light

## MLWL517RAWBRS Raw Brass



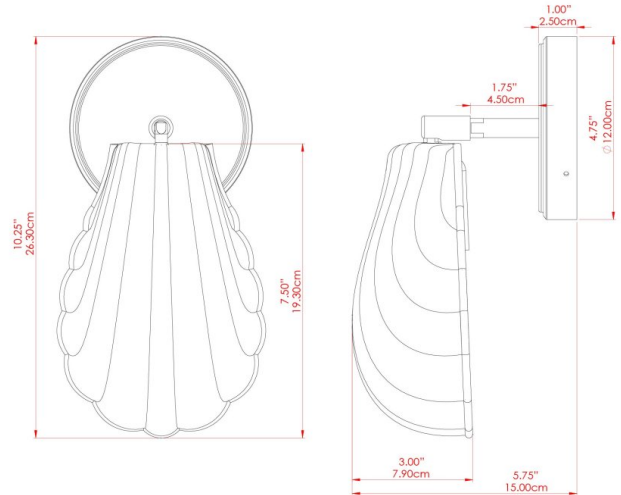
MATERIAL	Brass
HEIGHT	10.5"
WIDTH   DIAMETER	4.75"
LENGTH   PROJECTION	6.25"-11.5"
WEIGHT	0.8 kg   1.8 lbs
LAMPHOLDER	E26
MAX WATTAGE	40W
VOLTAGE	110/120v
ENVIRONMENTAL RATING	Dry Location (IP20)
CLASS PROTECTION	Class I
SHADE	INTE-SHELL-BRASS
FLEX   BAR   CHAIN LENGTH	n/a
CABLE TYPE	

### FIXING BRACKET: MLWB17



# SHELL Wall Light

MLWL517SATBRS Satin Brass



MATERIAL	Brass
HEIGHT	10.5"
WIDTH   DIAMETER	4.75"
LENGTH   PROJECTION	6.25"-11.5"
WEIGHT	0.8 kg   1.8 lbs
LAMPHOLDER	E26
MAX WATTAGE	40W
VOLTAGE	110/120v
ENVIRONMENTAL RATING	Dry Location (IP20)
CLASS PROTECTION	Class I
SHADE	INTE-SHELL-BRASS
FLEX   BAR   CHAIN LENGTH	n/a
CABLE TYPE	

## FIXING BRACKET: MLWB17

