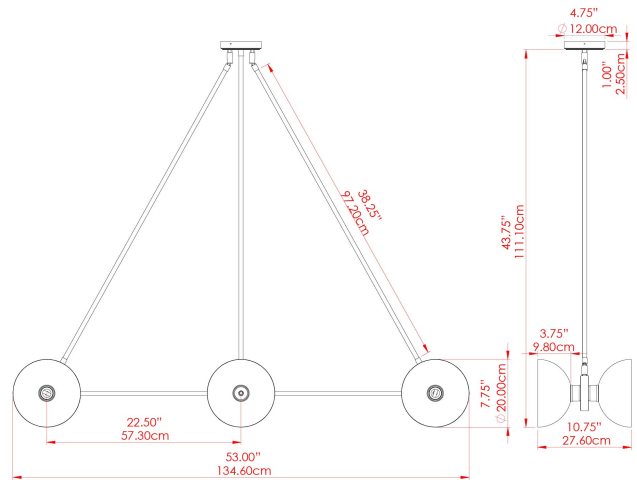


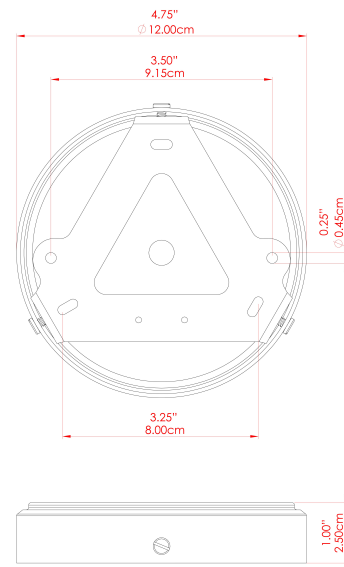
# ECLIPSE Chandelier

## MLF359ANTBRS Antique Brass



MATERIAL	Brass   Glass
HEIGHT	44.5"
WIDTH   DIAMETER	10.75"
LENGTH   PROJECTION	53"
WEIGHT	9 kg   19.8 lbs
LAMPHOLDER	E26
MAX WATTAGE	40W
VOLTAGE	110/120v
ENVIRONMENTAL RATING	Dry Location (IP20)
CLASS PROTECTION	Class I
SHADE	
FLEX   BAR   CHAIN LENGTH	40"
CABLE TYPE	

### FIXING BRACKET: MLWB17

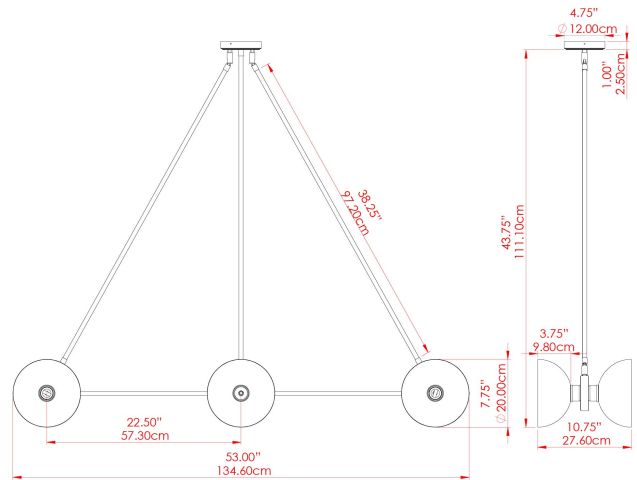


Product Notes:  
 1) Bulbs not included. 2) Dimensions do not include bulbs. 3) All products are individually made-to-order and therefore may differ slightly within manufacturing tolerances. 4) Cable / chain can be shortened during installation. Longer cable / chain lengths available on request. 5) Additional color finishes may be available on request. 6) Twisted cable is not available for UL wired products. Round cable in black or brown only is supplied instead. 7) Refer to our website for a full list of terms and conditions.



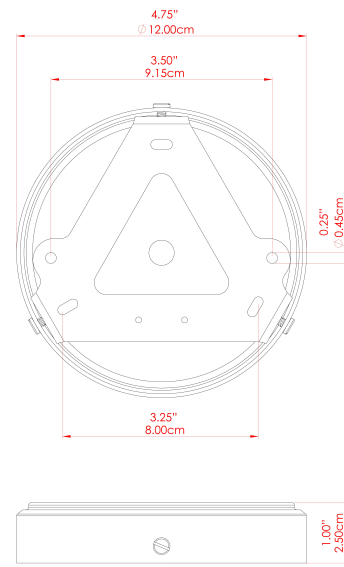
# ECLIPSE Chandelier

## MLF359ANTSLV Antique Silver



MATERIAL	Brass   Glass
HEIGHT	44.5"
WIDTH   DIAMETER	10.75"
LENGTH   PROJECTION	53"
WEIGHT	9 kg   19.8 lbs
LAMPHOLDER	E26
MAX WATTAGE	40W
VOLTAGE	110/120v
ENVIRONMENTAL RATING	Dry Location (IP20)
CLASS PROTECTION	Class I
SHADE	
FLEX   BAR   CHAIN LENGTH	40"
CABLE TYPE	

### FIXING BRACKET: MLWB17

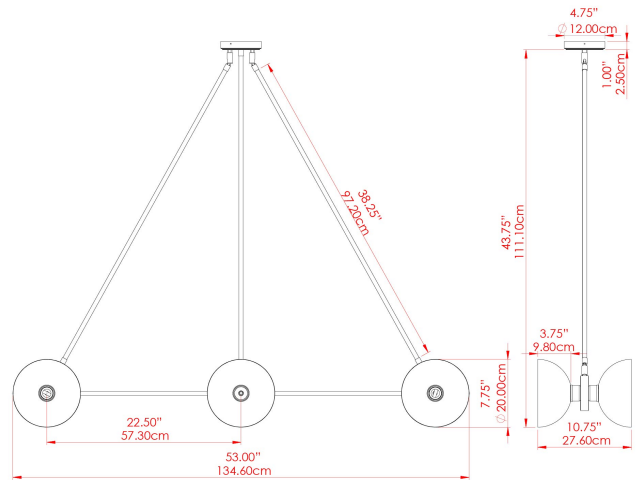


Product Notes:  
 1) Bulbs not included. 2) Dimensions do not include bulbs. 3) All products are individually made-to-order and therefore may differ slightly within manufacturing tolerances. 4) Cable / chain can be shortened during installation. Longer cable / chain lengths available on request. 5) Additional color finishes may be available on request. 6) Twisted cable is not available for UL wired products. Round cable in black or brown only is supplied instead. 7) Refer to our website for a full list of terms and conditions.



# ECLIPSE Chandelier

MLF359PCMBK Matt Black



MATERIAL	Brass   Glass
HEIGHT	44.5"
WIDTH   DIAMETER	10.75"
LENGTH   PROJECTION	53"
WEIGHT	9 kg   19.8 lbs
LAMPHOLDER	E26
MAX WATTAGE	40W
VOLTAGE	110/120v
ENVIRONMENTAL RATING	Dry Location (IP20)
CLASS PROTECTION	Class I
SHADE	
FLEX   BAR   CHAIN LENGTH	40"
CABLE TYPE	

## FIXING BRACKET: MLWB17



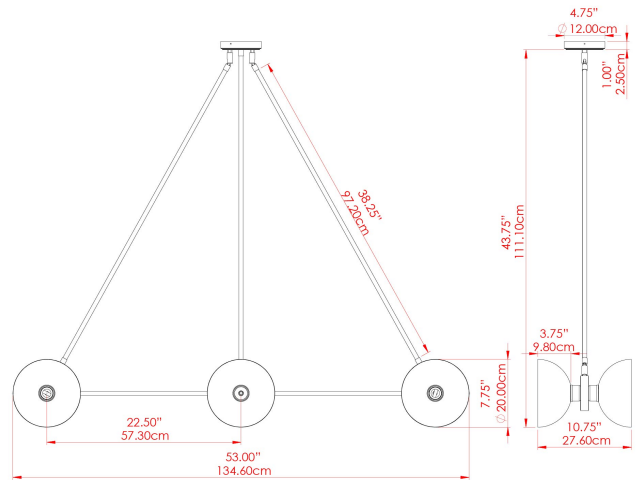
Product Notes:  
 1) Bulbs not included. 2) Dimensions do not include bulbs. 3) All products are individually made-to-order and therefore may differ slightly within manufacturing tolerances. 4) Cable / chain can be shortened during installation. Longer cable / chain lengths available on request. 5) Additional color finishes may be available on request. 6) Twisted cable is not available for UL wired products. Round cable in black or brown only is supplied instead. 7) Refer to our website for a full list of terms and conditions.





# ECLIPSE Chandelier

MLF359POLBRS Polished Brass



MATERIAL	Brass   Glass
HEIGHT	44.5"
WIDTH   DIAMETER	10.75"
LENGTH   PROJECTION	53"
WEIGHT	9 kg   19.8 lbs
LAMPHOLDER	E26
MAX WATTAGE	40W
VOLTAGE	110/120v
ENVIRONMENTAL RATING	Dry Location (IP20)
CLASS PROTECTION	Class I
SHADE	
FLEX   BAR   CHAIN LENGTH	40"
CABLE TYPE	

## FIXING BRACKET: MLWB17

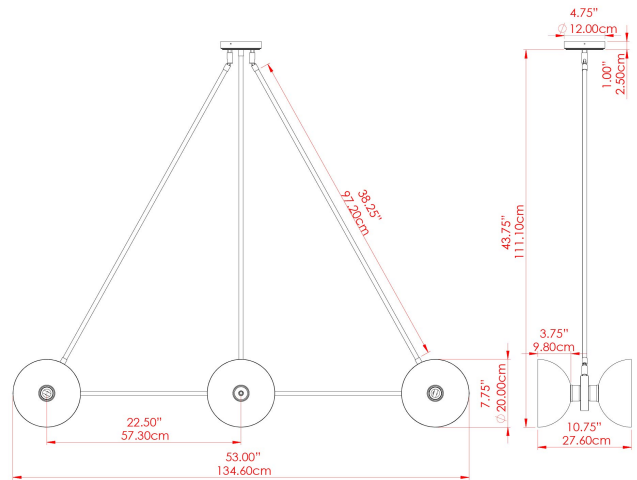


Product Notes:  
 1) Bulbs not included. 2) Dimensions do not include bulbs. 3) All products are individually made-to-order and therefore may differ slightly within manufacturing tolerances. 4) Cable / chain can be shortened during installation. Longer cable / chain lengths available on request. 5) Additional color finishes may be available on request. 6) Twisted cable is not available for UL wired products. Round cable in black or brown only is supplied instead. 7) Refer to our website for a full list of terms and conditions.



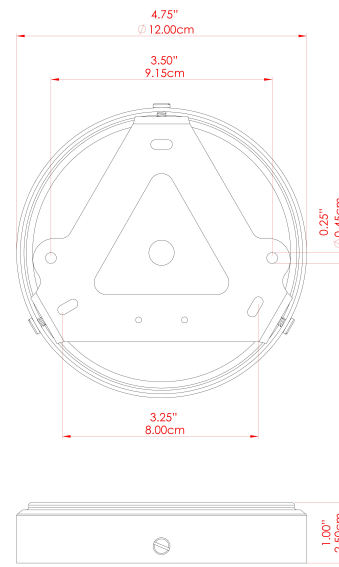
# ECLIPSE Chandelier

MLF359SATBRS Satin Brass



MATERIAL	Brass   Glass
HEIGHT	44.5"
WIDTH   DIAMETER	10.75"
LENGTH   PROJECTION	53"
WEIGHT	9 kg   19.8 lbs
LAMPHOLDER	E26
MAX WATTAGE	40W
VOLTAGE	110/120v
ENVIRONMENTAL RATING	Dry Location (IP20)
CLASS PROTECTION	Class I
SHADE	
FLEX   BAR   CHAIN LENGTH	40"
CABLE TYPE	

## FIXING BRACKET: MLWB17



Product Notes:  
 1) Bulbs not included. 2) Dimensions do not include bulbs. 3) All products are individually made-to-order and therefore may differ slightly within manufacturing tolerances. 4) Cable / chain can be shortened during installation. Longer cable / chain lengths available on request. 5) Additional color finishes may be available on request. 6) Twisted cable is not available for UL wired products. Round cable in black or brown only is supplied instead. 7) Refer to our website for a full list of terms and conditions.

