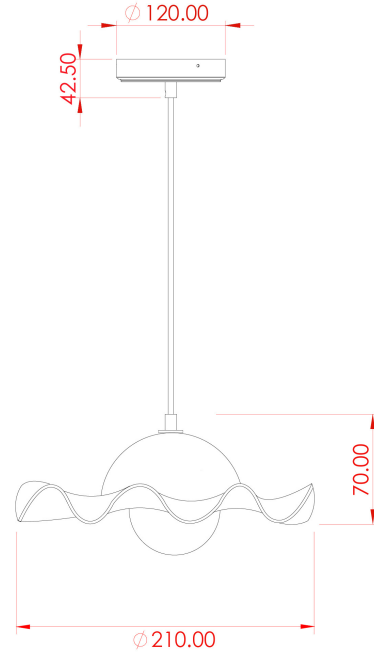


# RIVALE Ceramic Pendant

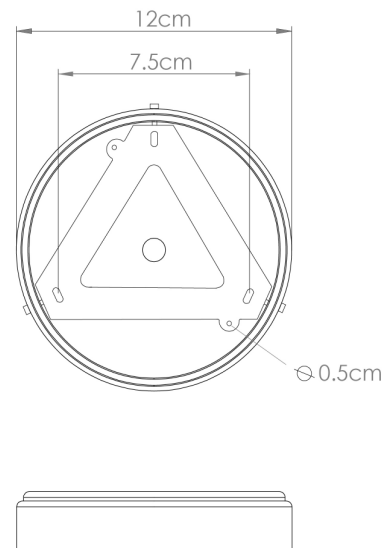
MLCMP059ANTBRSCl Antique Brass



MATERIAL	Ceramic   Brass   Glass
HEIGHT	8.5cm   3.35"
WIDTH   DIAMETER	21cm   8.27"
LENGTH   PROJECTION	n/a
WEIGHT	0.6KG   1.32lbs
LAMP HOLDER	G9
MAX WATTAGE	6.5W x 1
VOLTAGE	220/240v or 110/120v*
IP RATING	20
CLASS PROTECTION	I
SHADE CODE	GL196
CABLE   CHAIN   BAR LENGT	100cm   40"
CABLE TYPE	MLCA047   2 Core Round   Brown Braid   PVC

### Fixing Bracket MLWB17

\* Fixing bracket may differ for UL wired products.

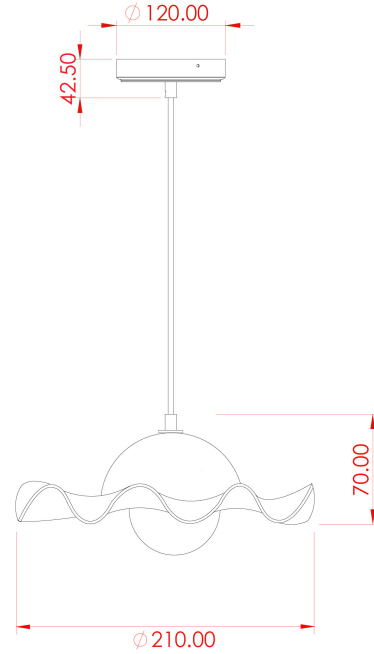


**Product Notes:**

1) Bulbs not included. 2) Dimensions do not include bulbs. 3) All products are individually made-to-order and therefore may differ slightly within manufacturing tolerances. 4) Cable / chain can be shortened during installation. Longer cable / chain lengths available on request. 5) Additional colour finishes may be available on request. 6) UL wired products operate at 110/120v with the appropriate lamp holder. 7) Twisted cable is not available for UL wired products. Round cable in black or brown only is supplied instead. 8) Refer to our website for a full list of terms and conditions.

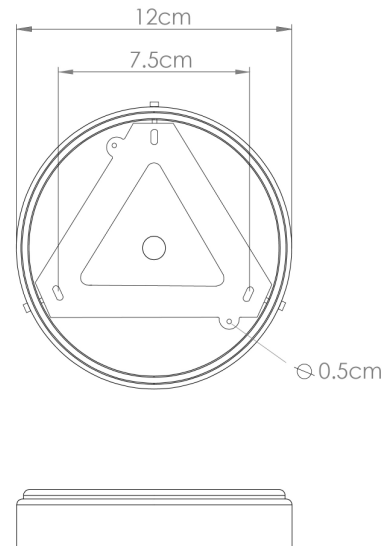
# RIVALE Ceramic Pendant

MLCMP059ANTBRSFR Antique Brass



MATERIAL	Ceramic   Brass   Glass
HEIGHT	8.5cm   3.35"
WIDTH   DIAMETER	21cm   8.27"
LENGTH   PROJECTION	n/a
WEIGHT	0.6KG   1.32lbs
LAMP HOLDER	G9
MAX WATTAGE	6.5W x 1
VOLTAGE	220/240v or 110/120v*
IP RATING	20
CLASS PROTECTION	I
SHADE CODE	GL208
CABLE   CHAIN   BAR LENGT	100cm   40"
CABLE TYPE	MLCA047   2 Core Round   Brown Braid   PVC

Fixing Bracket MLWB17  
\* Fixing bracket may differ for UL wired products.

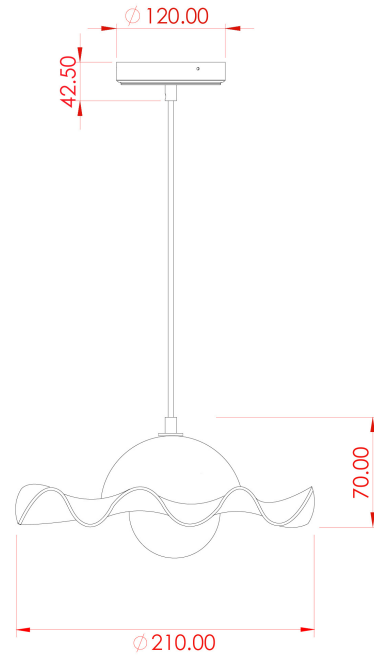


Product Notes:

1) Bulbs not included. 2) Dimensions do not include bulbs. 3) All products are individually made-to-order and therefore may differ slightly within manufacturing tolerances. 4) Cable / chain can be shortened during installation. Longer cable / chain lengths available on request. 5) Additional colour finishes may be available on request. 6) UL wired products operate at 110/120v with the appropriate lamp holder. 7) Twisted cable is not available for UL wired products. Round cable in black or brown only is supplied instead. 8) Refer to our website for a full list of terms and conditions.

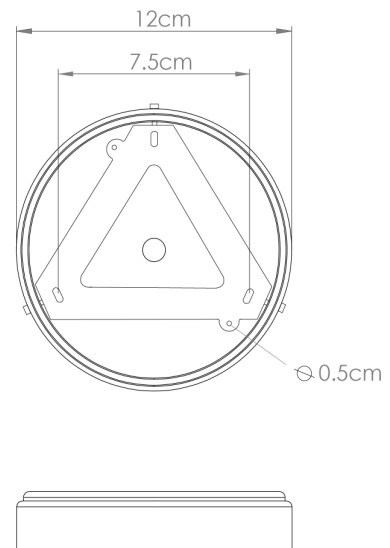
# RIVALE Ceramic Pendant

MLCMP059ANTBRSOP Antique Brass



MATERIAL	Ceramic   Brass   Glass
HEIGHT	8.5cm   3.35"
WIDTH   DIAMETER	21cm   8.27"
LENGTH   PROJECTION	n/a
WEIGHT	0.6KG   1.32lbs
LAMP HOLDER	G9
MAX WATTAGE	6.5W x 1
VOLTAGE	220/240v or 110/120v*
IP RATING	20
CLASS PROTECTION	I
SHADE CODE	GL192
CABLE   CHAIN   BAR LENGT	100cm   40"
CABLE TYPE	MLCA047   2 Core Round   Brown Braid   PVC

Fixing Bracket MLWB17  
\* Fixing bracket may differ for UL wired products.

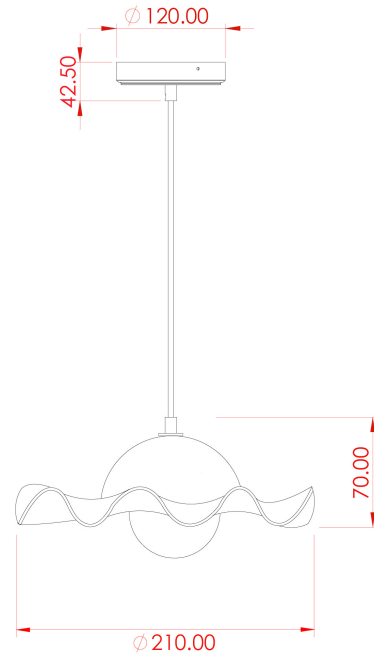


Product Notes:

1) Bulbs not included. 2) Dimensions do not include bulbs. 3) All products are individually made-to-order and therefore may differ slightly within manufacturing tolerances. 4) Cable / chain can be shortened during installation. Longer cable / chain lengths available on request. 5) Additional colour finishes may be available on request. 6) UL wired products operate at 110/120v with the appropriate lamp holder. 7) Twisted cable is not available for UL wired products. Round cable in black or brown only is supplied instead. 8) Refer to our website for a full list of terms and conditions.

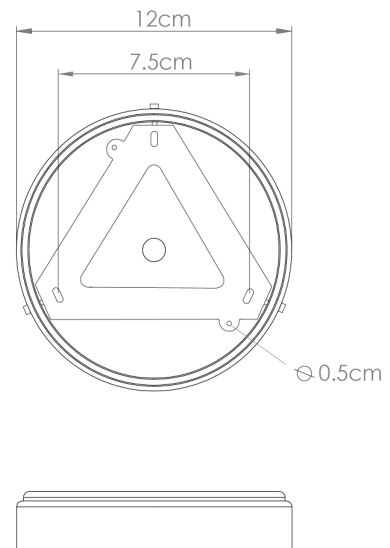
# RIVALE Ceramic Pendant

MLCMP059ANTSLVCL Antique Silver



MATERIAL	Ceramic   Brass   Glass
HEIGHT	8.5cm   3.35"
WIDTH   DIAMETER	21cm   8.27"
LENGTH   PROJECTION	n/a
WEIGHT	0.6KG   1.32lbs
LAMP HOLDER	G9
MAX WATTAGE	6.5W x 1
VOLTAGE	220/240v or 110/120v *
IP RATING	20
CLASS PROTECTION	I
SHADE CODE	GL196
CABLE   CHAIN   BAR LENGT	100cm   40"
CABLE TYPE	MLCA028   2 Core Round   Black Braid   PVC

**Fixing Bracket MLWB17**  
 \* Fixing bracket may differ for UL wired products.

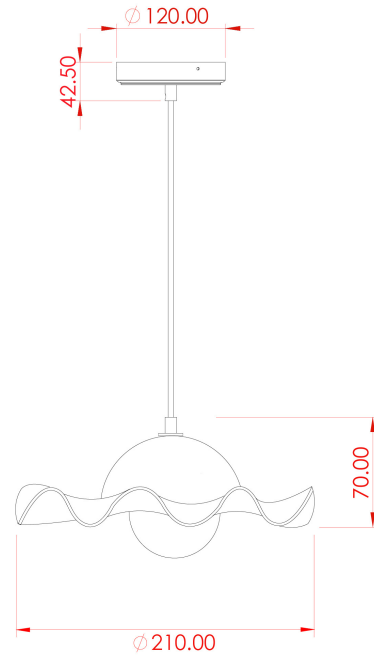


**Product Notes:**

1) Bulbs not included. 2) Dimensions do not include bulbs. 3) All products are individually made-to-order and therefore may differ slightly within manufacturing tolerances. 4) Cable / chain can be shortened during installation. Longer cable / chain lengths available on request. 5) Additional colour finishes may be available on request. 6) UL wired products operate at 110/120v with the appropriate lamp holder. 7) Twisted cable is not available for UL wired products. Round cable in black or brown only is supplied instead. 8) Refer to our website for a full list of terms and conditions.

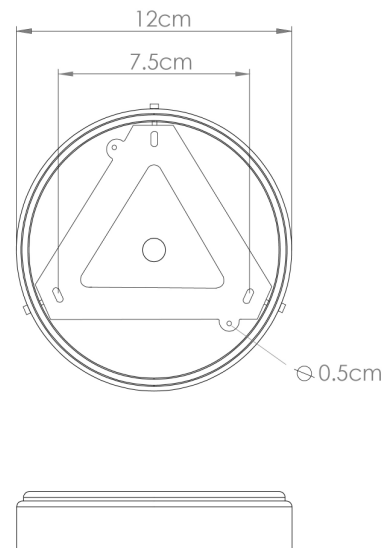
# RIVALE Ceramic Pendant

MLCMP059ANTSLVFR Antique Silver



MATERIAL	Ceramic   Brass   Glass
HEIGHT	8.5cm   3.35"
WIDTH   DIAMETER	21cm   8.27"
LENGTH   PROJECTION	n/a
WEIGHT	0.6KG   1.32lbs
LAMP HOLDER	G9
MAX WATTAGE	6.5W x 1
VOLTAGE	220/240v or 110/120v *
IP RATING	20
CLASS PROTECTION	I
SHADE CODE	GL208
CABLE   CHAIN   BAR LENGT	100cm   40"
CABLE TYPE	MLCA028   2 Core Round   Black Braid   PVC

Fixing Bracket MLWB17  
\* Fixing bracket may differ for UL wired products.

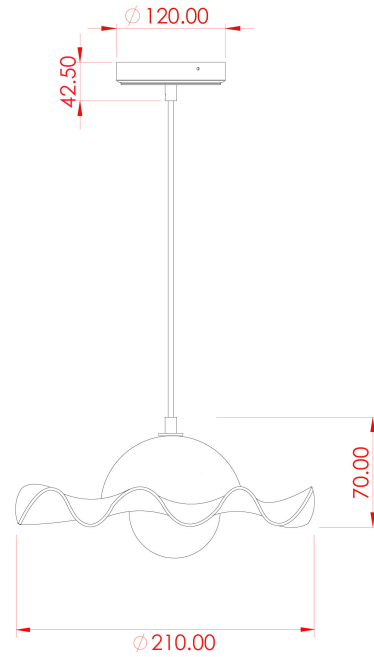


Product Notes:

1) Bulbs not included. 2) Dimensions do not include bulbs. 3) All products are individually made-to-order and therefore may differ slightly within manufacturing tolerances. 4) Cable / chain can be shortened during installation. Longer cable / chain lengths available on request. 5) Additional colour finishes may be available on request. 6) UL wired products operate at 110/120v with the appropriate lamp holder. 7) Twisted cable is not available for UL wired products. Round cable in black or brown only is supplied instead. 8) Refer to our website for a full list of terms and conditions.

# RIVALE Ceramic Pendant

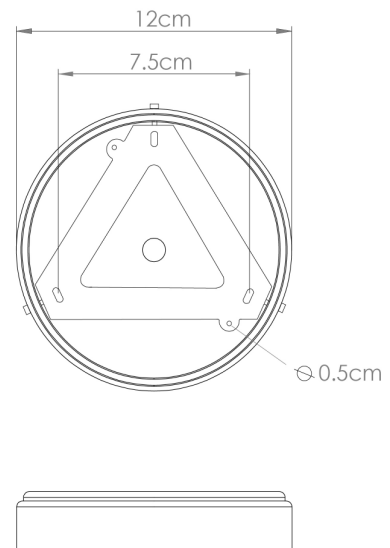
MLCMP059ANTSLVOP Antique Silver



MATERIAL	Ceramic   Brass   Glass
HEIGHT	8.5cm   3.35"
WIDTH   DIAMETER	21cm   8.27"
LENGTH   PROJECTION	n/a
WEIGHT	0.6KG   1.32lbs
LAMP HOLDER	G9
MAX WATTAGE	6.5W x 1
VOLTAGE	220/240v or 110/120v *
IP RATING	20
CLASS PROTECTION	I
SHADE CODE	GL192
CABLE   CHAIN   BAR LENGT	100cm   40"
CABLE TYPE	MLCA028   2 Core Round   Black Braid   PVC

### Fixing Bracket MLWB17

\* Fixing bracket may differ for UL wired products.

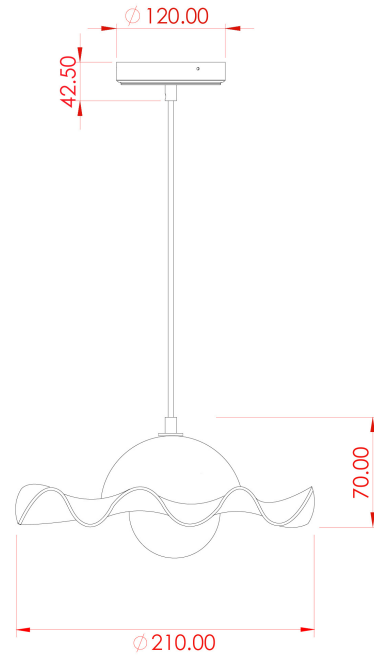


#### Product Notes:

1) Bulbs not included. 2) Dimensions do not include bulbs. 3) All products are individually made-to-order and therefore may differ slightly within manufacturing tolerances. 4) Cable / chain can be shortened during installation. Longer cable / chain lengths available on request. 5) Additional colour finishes may be available on request. 6) UL wired products operate at 110/120v with the appropriate lamp holder. 7) Twisted cable is not available for UL wired products. Round cable in black or brown only is supplied instead. 8) Refer to our website for a full list of terms and conditions.

# RIVALE Ceramic Pendant

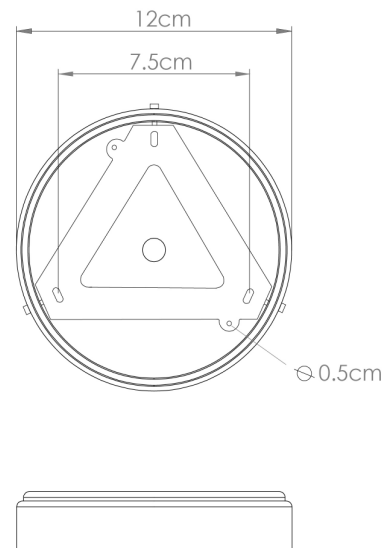
MLCMP059PCMBKCL Matt Black



MATERIAL	Ceramic   Brass   Glass
HEIGHT	8.5cm   3.35"
WIDTH   DIAMETER	21cm   8.27"
LENGTH   PROJECTION	n/a
WEIGHT	0.6KG   1.32lbs
LAMP HOLDER	G9
MAX WATTAGE	6.5W x 1
VOLTAGE	220/240v or 110/120v *
IP RATING	20
CLASS PROTECTION	I
SHADE CODE	GL196
CABLE   CHAIN   BAR LENGT	100cm   40"
CABLE TYPE	MLCA028   2 Core Round   Black Braid   PVC

### Fixing Bracket MLWB17

\* Fixing bracket may differ for UL wired products.

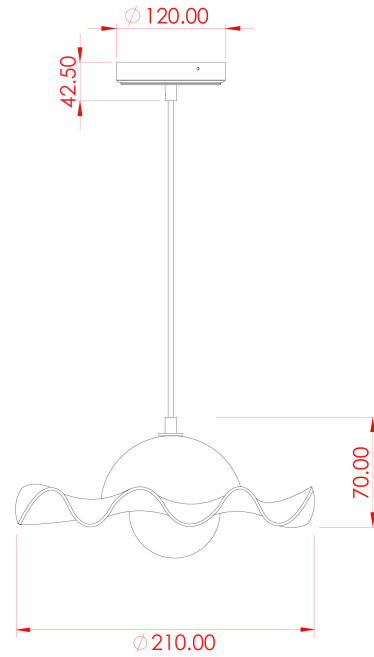


#### Product Notes:

1) Bulbs not included. 2) Dimensions do not include bulbs. 3) All products are individually made-to-order and therefore may differ slightly within manufacturing tolerances. 4) Cable / chain can be shortened during installation. Longer cable / chain lengths available on request. 5) Additional colour finishes may be available on request. 6) UL wired products operate at 110/120v with the appropriate lamp holder. 7) Twisted cable is not available for UL wired products. Round cable in black or brown only is supplied instead. 8) Refer to our website for a full list of terms and conditions.

# RIVALE Ceramic Pendant

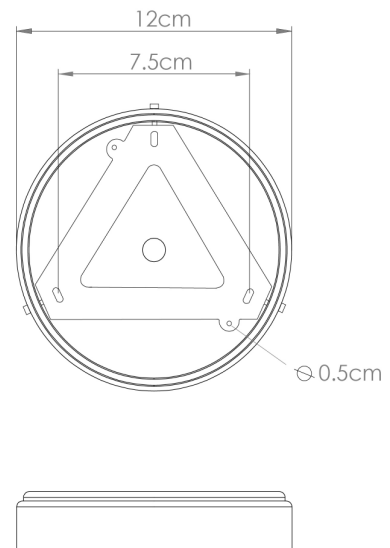
MLCMP059PCMBKFR Matt Black



MATERIAL	Ceramic   Brass   Glass
HEIGHT	8.5cm   3.35"
WIDTH   DIAMETER	21cm   8.27"
LENGTH   PROJECTION	n/a
WEIGHT	0.6KG   1.32lbs
LAMP HOLDER	G9
MAX WATTAGE	6.5W x 1
VOLTAGE	220/240v or 110/120v*
IP RATING	20
CLASS PROTECTION	I
SHADE CODE	GL208
CABLE   CHAIN   BAR LENGT	100cm   40"
CABLE TYPE	MLCS028

### Fixing Bracket MLWB17

\* Fixing bracket may differ for UL wired products.



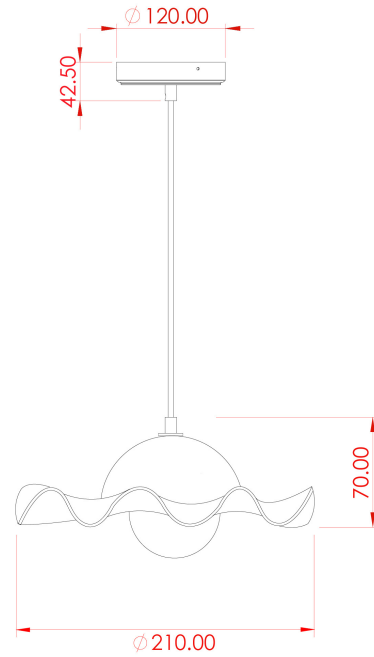
#### Product Notes:

1) Bulbs not included. 2) Dimensions do not include bulbs. 3) All products are individually made-to-order and therefore may differ slightly within manufacturing tolerances. 4) Cable / chain can be shortened during installation. Longer cable / chain lengths available on request. 5) Additional colour finishes may be available on request. 6) UL wired products operate at 110/120v with the appropriate lamp holder. 7) Twisted cable is not available for UL wired products. Round cable in black or brown only is supplied instead. 8) Refer to our website for a full list of terms and conditions.



# RIVALE Ceramic Pendant

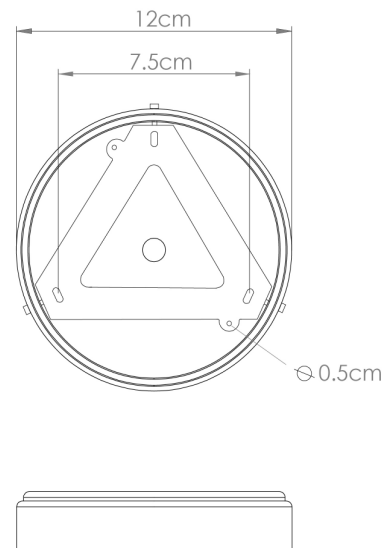
MLCMP059PCMBKOP Matt Black



MATERIAL	Ceramic   Brass   Glass
HEIGHT	8.5cm   3.35"
WIDTH   DIAMETER	21cm   8.27"
LENGTH   PROJECTION	n/a
WEIGHT	0.6KG   1.32lbs
LAMP HOLDER	G9
MAX WATTAGE	6.5W x 1
VOLTAGE	220/240v or 110/120v*
IP RATING	20
CLASS PROTECTION	I
SHADE CODE	GL192
CABLE   CHAIN   BAR LENGT	100cm   40"
CABLE TYPE	MLCS028

### Fixing Bracket MLWB17

\* Fixing bracket may differ for UL wired products.

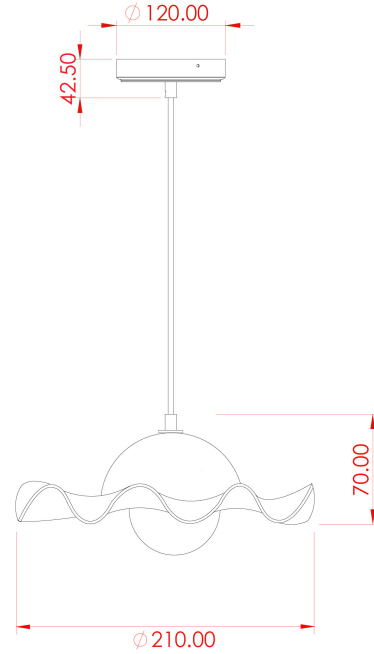


#### Product Notes:

1) Bulbs not included. 2) Dimensions do not include bulbs. 3) All products are individually made-to-order and therefore may differ slightly within manufacturing tolerances. 4) Cable / chain can be shortened during installation. Longer cable / chain lengths available on request. 5) Additional colour finishes may be available on request. 6) UL wired products operate at 110/120v with the appropriate lamp holder. 7) Twisted cable is not available for UL wired products. Round cable in black or brown only is supplied instead. 8) Refer to our website for a full list of terms and conditions.

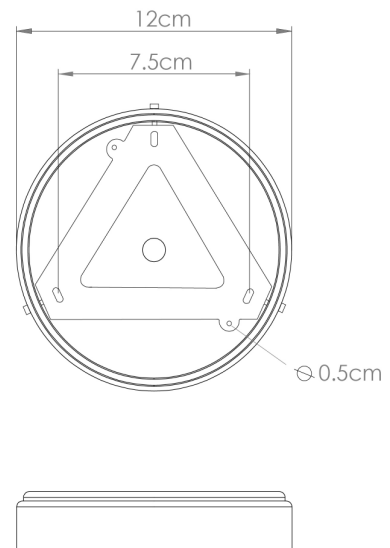
# RIVALE Ceramic Pendant

MLCMP059POLBRSCS Polished Brass



MATERIAL	Ceramic   Brass   Glass
HEIGHT	8.5cm   3.35"
WIDTH   DIAMETER	21cm   8.27"
LENGTH   PROJECTION	n/a
WEIGHT	0.6KG   1.32lbs
LAMP HOLDER	G9
MAX WATTAGE	6.5W x 1
VOLTAGE	220/240v or 110/120v*
IP RATING	20
CLASS PROTECTION	I
SHADE CODE	GL196
CABLE   CHAIN   BAR LENGT	100cm   40"
CABLE TYPE	MLCA028   2 Core Round   Black Braid   PVC

Fixing Bracket MLWB17  
\* Fixing bracket may differ for UL wired products.

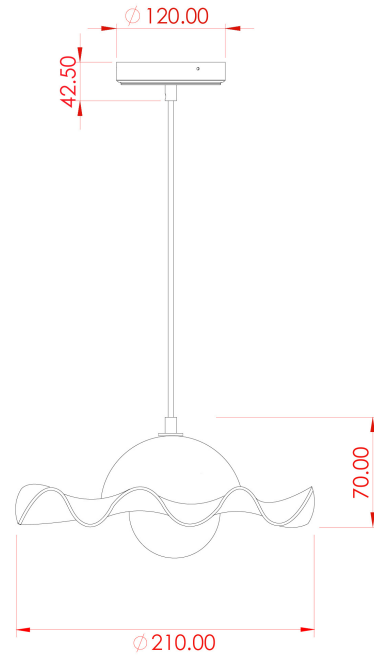


Product Notes:

1) Bulbs not included. 2) Dimensions do not include bulbs. 3) All products are individually made-to-order and therefore may differ slightly within manufacturing tolerances. 4) Cable / chain can be shortened during installation. Longer cable / chain lengths available on request. 5) Additional colour finishes may be available on request. 6) UL wired products operate at 110/120v with the appropriate lamp holder. 7) Twisted cable is not available for UL wired products. Round cable in black or brown only is supplied instead. 8) Refer to our website for a full list of terms and conditions.

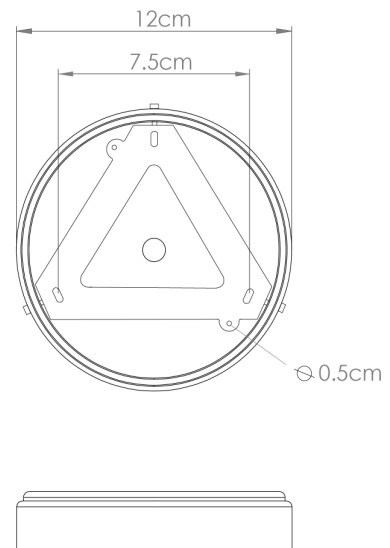
# RIVALE Ceramic Pendant

MLCMP059POLBRSFR Polished Brass



MATERIAL	Ceramic   Brass   Glass
HEIGHT	8.5cm   3.35"
WIDTH   DIAMETER	21cm   8.27"
LENGTH   PROJECTION	n/a
WEIGHT	0.6KG   1.32lbs
LAMP HOLDER	G9
MAX WATTAGE	6.5W x 1
VOLTAGE	220/240v or 110/120v*
IP RATING	20
CLASS PROTECTION	I
SHADE CODE	GL208
CABLE   CHAIN   BAR LENGT	100cm   40"
CABLE TYPE	MLCA028   2 Core Round   Black Braid   PVC

Fixing Bracket MLWB17  
\* Fixing bracket may differ for UL wired products.

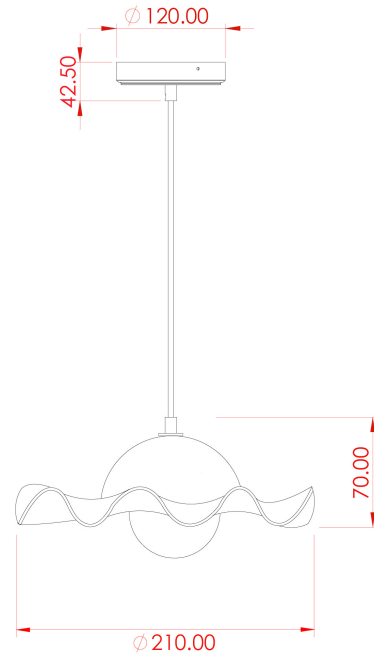


Product Notes:

1) Bulbs not included. 2) Dimensions do not include bulbs. 3) All products are individually made-to-order and therefore may differ slightly within manufacturing tolerances. 4) Cable / chain can be shortened during installation. Longer cable / chain lengths available on request. 5) Additional colour finishes may be available on request. 6) UL wired products operate at 110/120v with the appropriate lamp holder. 7) Twisted cable is not available for UL wired products. Round cable in black or brown only is supplied instead. 8) Refer to our website for a full list of terms and conditions.

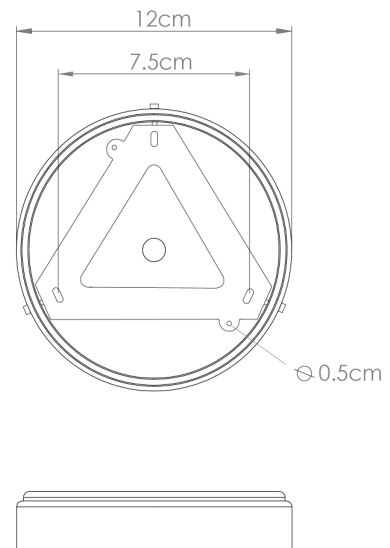
# RIVALE Ceramic Pendant

MLCMP059POLBRSOP Polished Brass



MATERIAL	Ceramic   Brass   Glass
HEIGHT	8.5cm   3.35"
WIDTH   DIAMETER	21cm   8.27"
LENGTH   PROJECTION	n/a
WEIGHT	0.6KG   1.32lbs
LAMP HOLDER	G9
MAX WATTAGE	6.5W x 1
VOLTAGE	220/240v or 110/120v*
IP RATING	20
CLASS PROTECTION	I
SHADE CODE	GL192
CABLE   CHAIN   BAR LENGT	100cm   40"
CABLE TYPE	MLCA028   2 Core Round   Black Braid   PVC

Fixing Bracket MLWB17  
\* Fixing bracket may differ for UL wired products.

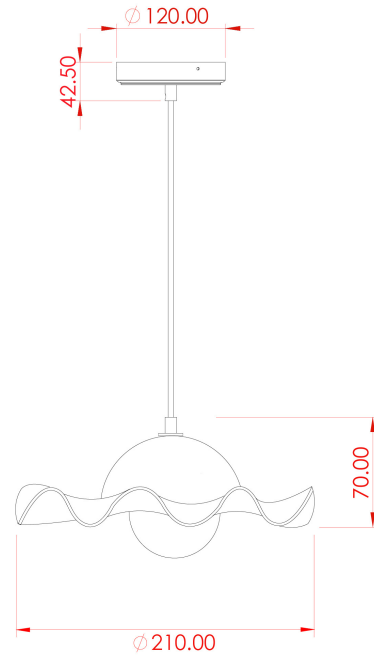


Product Notes:

1) Bulbs not included. 2) Dimensions do not include bulbs. 3) All products are individually made-to-order and therefore may differ slightly within manufacturing tolerances. 4) Cable / chain can be shortened during installation. Longer cable / chain lengths available on request. 5) Additional colour finishes may be available on request. 6) UL wired products operate at 110/120v with the appropriate lamp holder. 7) Twisted cable is not available for UL wired products. Round cable in black or brown only is supplied instead. 8) Refer to our website for a full list of terms and conditions.

# RIVALE Ceramic Pendant

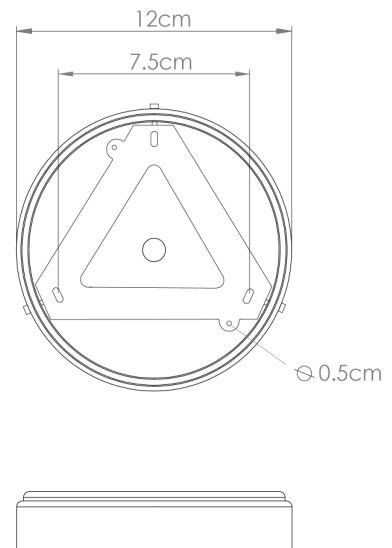
MLCMP059SATBRSC L Satin Brass



MATERIAL	Ceramic   Brass   Glass
HEIGHT	8.5cm   3.35"
WIDTH   DIAMETER	21cm   8.27"
LENGTH   PROJECTION	n/a
WEIGHT	0.6KG   1.32lbs
LAMP HOLDER	G9
MAX WATTAGE	6.5W x 1
VOLTAGE	220/240v or 110/120v *
IP RATING	20
CLASS PROTECTION	I
SHADE CODE	GL196
CABLE   CHAIN   BAR LENGT	100cm   40"
CABLE TYPE	MLCA028   2 Core Round   Black Braid   PVC

### Fixing Bracket MLWB17

\* Fixing bracket may differ for UL wired products.

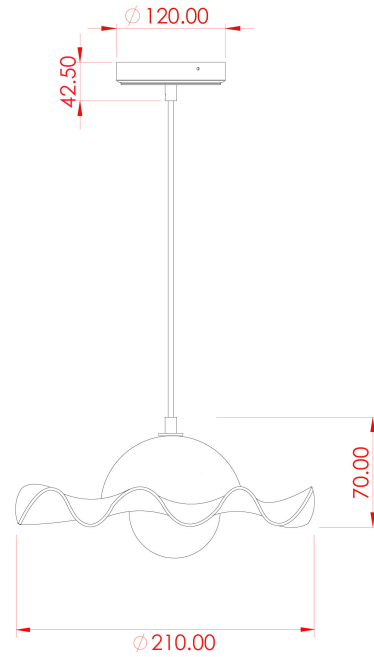


#### Product Notes:

1) Bulbs not included. 2) Dimensions do not include bulbs. 3) All products are individually made-to-order and therefore may differ slightly within manufacturing tolerances. 4) Cable / chain can be shortened during installation. Longer cable / chain lengths available on request. 5) Additional colour finishes may be available on request. 6) UL wired products operate at 110/120v with the appropriate lamp holder. 7) Twisted cable is not available for UL wired products. Round cable in black or brown only is supplied instead. 8) Refer to our website for a full list of terms and conditions.

# RIVALE Ceramic Pendant

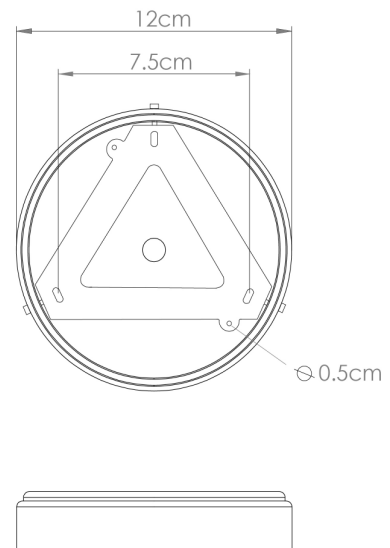
MLCMP059SATBRSFR Satin Brass



MATERIAL	Ceramic   Brass   Glass
HEIGHT	8.5cm   3.35"
WIDTH   DIAMETER	21cm   8.27"
LENGTH   PROJECTION	n/a
WEIGHT	0.6KG   1.32lbs
LAMP HOLDER	G9
MAX WATTAGE	6.5W x 1
VOLTAGE	220/240v or 110/120v *
IP RATING	20
CLASS PROTECTION	I
SHADE CODE	GL208
CABLE   CHAIN   BAR LENGT	100cm   40"
CABLE TYPE	MLCA028   2 Core Round   Black Braid   PVC

### Fixing Bracket MLWB17

\* Fixing bracket may differ for UL wired products.

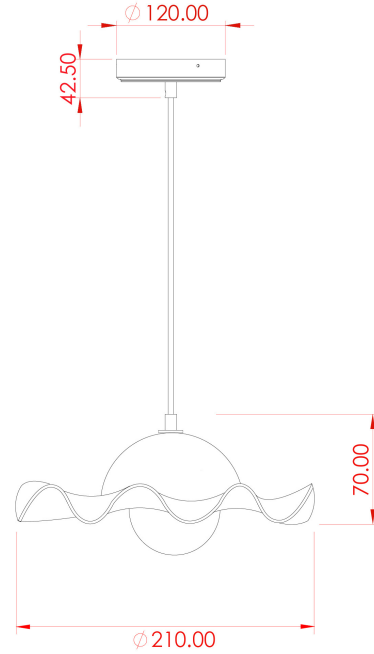


#### Product Notes:

1) Bulbs not included. 2) Dimensions do not include bulbs. 3) All products are individually made-to-order and therefore may differ slightly within manufacturing tolerances. 4) Cable / chain can be shortened during installation. Longer cable / chain lengths available on request. 5) Additional colour finishes may be available on request. 6) UL wired products operate at 110/120v with the appropriate lamp holder. 7) Twisted cable is not available for UL wired products. Round cable in black or brown only is supplied instead. 8) Refer to our website for a full list of terms and conditions.

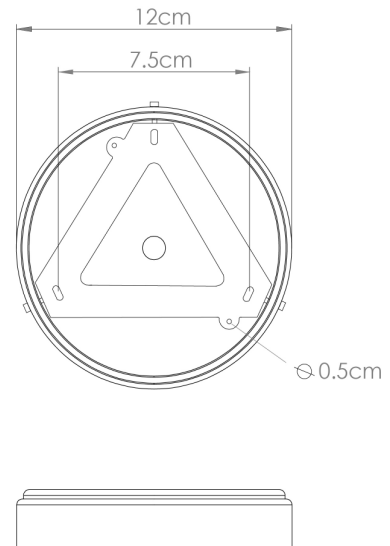
# RIVALE Ceramic Pendant

MLCMP059SATBRSOP Satin Brass



MATERIAL	Ceramic   Brass   Glass
HEIGHT	8.5cm   3.35"
WIDTH   DIAMETER	21cm   8.27"
LENGTH   PROJECTION	n/a
WEIGHT	0.6KG   1.32lbs
LAMP HOLDER	G9
MAX WATTAGE	6.5W x 1
VOLTAGE	220/240v or 110/120v *
IP RATING	20
CLASS PROTECTION	I
SHADE CODE	GL192
CABLE   CHAIN   BAR LENGT	100cm   40"
CABLE TYPE	MLCA028   2 Core Round   Black Braid   PVC

**Fixing Bracket MLWB17**  
 \* Fixing bracket may differ for UL wired products.



**Product Notes:**

1) Bulbs not included. 2) Dimensions do not include bulbs. 3) All products are individually made-to-order and therefore may differ slightly within manufacturing tolerances. 4) Cable / chain can be shortened during installation. Longer cable / chain lengths available on request. 5) Additional colour finishes may be available on request. 6) UL wired products operate at 110/120v with the appropriate lamp holder. 7) Twisted cable is not available for UL wired products. Round cable in black or brown only is supplied instead. 8) Refer to our website for a full list of terms and conditions.