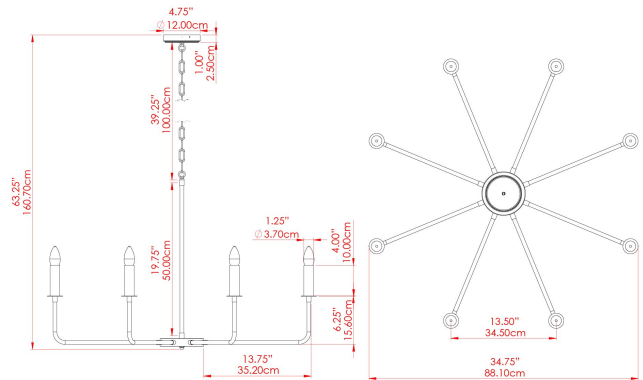




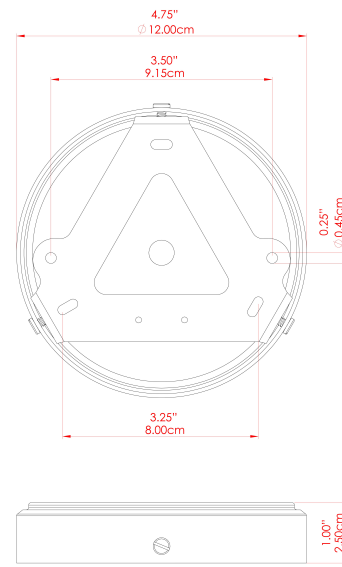
IRVINE Chandelier

MLF357ANTBRS Antique Brass



| | |
|---------------------------|---|
| MATERIAL | Brass |
| HEIGHT | 59.25" |
| WIDTH DIAMETER | 37.5" |
| LENGTH PROJECTION | n/a |
| WEIGHT | 4.5 kg 10 lbs |
| LAMPHOLDER | E12 |
| MAX WATTAGE | 40W |
| VOLTAGE | 110/120v |
| ENVIRONMENTAL RATING | Dry Location (IP20) |
| CLASS PROTECTION | Class I |
| SHADE | - |
| FLEX BAR CHAIN LENGTH | 40" |
| CABLE TYPE | MLCA036 Brown PVC Flexible Cable 3 Core |

FIXING BRACKET: MLWB17



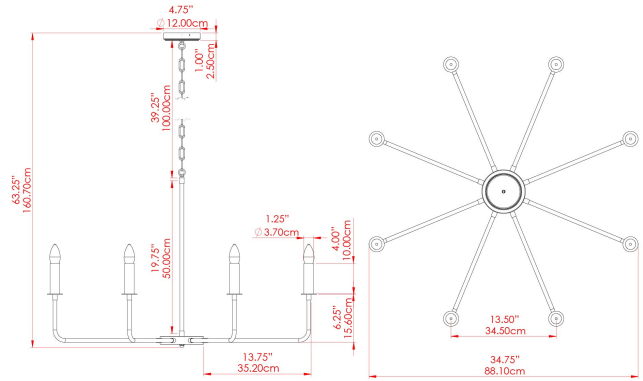
Product Notes:
 1) Bulbs not included. 2) Dimensions do not include bulbs. 3) All products are individually made-to-order and therefore may differ slightly within manufacturing tolerances. 4) Cable / chain can be shortened during installation. Longer cable / chain lengths available on request. 5) Additional color finishes may be available on request. 6) Twisted cable is not available for UL wired products. Round cable in black or brown only is supplied instead. 7) Refer to our website for a full list of terms and conditions.





IRVINE Chandelier

MLF357ANTSLV Antique Silver



| | |
|---------------------------|---|
| MATERIAL | Brass |
| HEIGHT | 59.25" |
| WIDTH DIAMETER | 37.5" |
| LENGTH PROJECTION | n/a |
| WEIGHT | 4.5 kg 10 lbs |
| LAMPHOLDER | E12 |
| MAX WATTAGE | 40W |
| VOLTAGE | 110/120v |
| ENVIRONMENTAL RATING | Dry Location (IP20) |
| CLASS PROTECTION | Class I |
| SHADE | - |
| FLEX BAR CHAIN LENGTH | 40" |
| CABLE TYPE | MLCA013 Clear PVC Flexible Cable 3 Core |

FIXING BRACKET: MLWB17



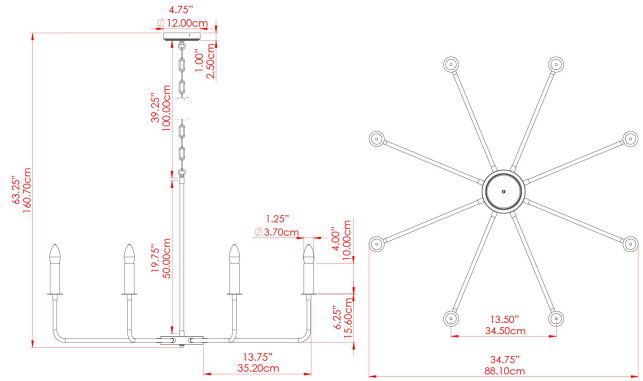
Product Notes:
 1) Bulbs not included. 2) Dimensions do not include bulbs. 3) All products are individually made-to-order and therefore may differ slightly within manufacturing tolerances. 4) Cable / chain can be shortened during installation. Longer cable / chain lengths available on request. 5) Additional color finishes may be available on request. 6) Twisted cable is not available for UL wired products. Round cable in black or brown only is supplied instead. 7) Refer to our website for a full list of terms and conditions.





IRVINE Chandelier

MLF357PCMBK Matt Black



| | |
|---------------------------|---|
| MATERIAL | Brass |
| HEIGHT | 59.25" |
| WIDTH DIAMETER | 37.5" |
| LENGTH PROJECTION | n/a |
| WEIGHT | 4.5 kg 10 lbs |
| LAMPHOLDER | E12 |
| MAX WATTAGE | 40W |
| VOLTAGE | 110/120v |
| ENVIRONMENTAL RATING | Dry Location (IP20) |
| CLASS PROTECTION | Class I |
| SHADE | - |
| FLEX BAR CHAIN LENGTH | 40" |
| CABLE TYPE | MLCA037 Black PVC Flexible Cable 3 Core |

FIXING BRACKET: MLWB17



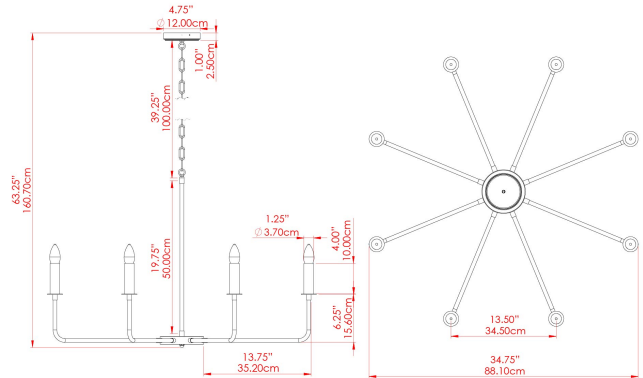
Product Notes:
 1) Bulbs not included. 2) Dimensions do not include bulbs. 3) All products are individually made-to-order and therefore may differ slightly within manufacturing tolerances. 4) Cable / chain can be shortened during installation. Longer cable / chain lengths available on request. 5) Additional color finishes may be available on request. 6) Twisted cable is not available for UL wired products. Round cable in black or brown only is supplied instead. 7) Refer to our website for a full list of terms and conditions.





IRVINE Chandelier

MLF357SATBRS Satin Brass



| | |
|---------------------------|--|
| MATERIAL | Brass |
| HEIGHT | 59.25" |
| WIDTH DIAMETER | 37.5" |
| LENGTH PROJECTION | n/a |
| WEIGHT | 4.5 kg 10 lbs |
| LAMPHOLDER | E12 |
| MAX WATTAGE | 40W |
| VOLTAGE | 110/120v |
| ENVIRONMENTAL RATING | Dry Location (IP20) |
| CLASS PROTECTION | Class I |
| SHADE | - |
| FLEX BAR CHAIN LENGTH | 40" |
| CABLE TYPE | MLCA012 Gold PVC Flexible Cable 3 Core |

FIXING BRACKET: MLWB17



Product Notes:
 1) Bulbs not included. 2) Dimensions do not include bulbs. 3) All products are individually made-to-order and therefore may differ slightly within manufacturing tolerances. 4) Cable / chain can be shortened during installation. Longer cable / chain lengths available on request. 5) Additional color finishes may be available on request. 6) Twisted cable is not available for UL wired products. Round cable in black or brown only is supplied instead. 7) Refer to our website for a full list of terms and conditions.

