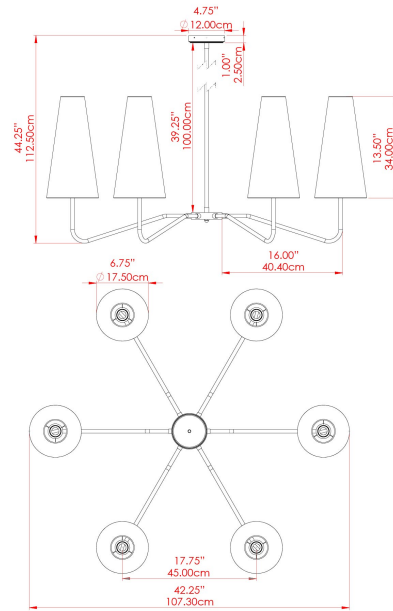




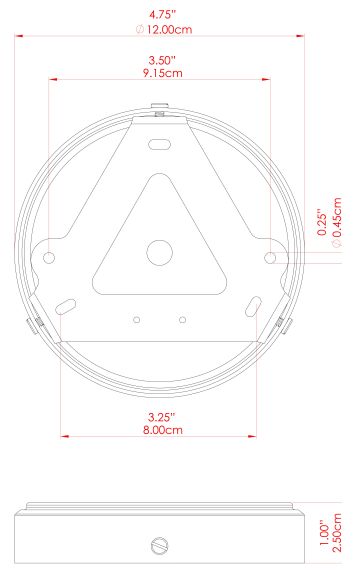
# PARA Chandelier

# MLF356ANTBRS Antique Brass



MATERIAL	Brass
HEIGHT	44.25"
WIDTH   DIAMETER	42.25"
LENGTH   PROJECTION	n/a
WEIGHT	4 kg   8.8 lbs
LAMPHOLDER	E26
MAX WATTAGE	40W
VOLTAGE	110/120v
ENVIRONMENTAL RATING	Dry Location (IP20)
CLASS PROTECTION	Class I
SHADE	MLFS004
FLEX   BAR   CHAIN LENGTH	40"
CABLE TYPE	MLCA037   Black PVC Flexible Cable   3 Core

### FIXING BRACKET: MLWB17



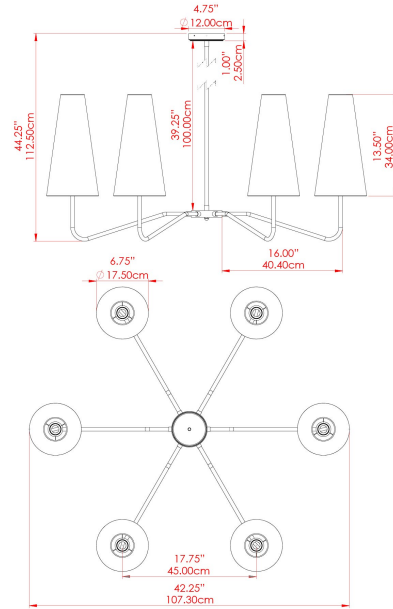
Product Notes:  
 1) Bulbs not included. 2) Dimensions do not include bulbs. 3) All products are individually made-to-order and therefore may differ slightly within manufacturing tolerances. 4) Cable / chain can be shortened during installation. Longer cable / chain lengths available on request. 5) Additional color finishes may be available on request. 6) Twisted cable is not available for UL wired products. Round cable in black or brown only is supplied instead. 7) Refer to our website for a full list of terms and conditions.





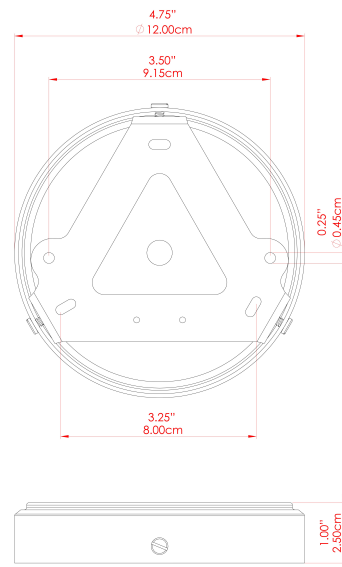
# PARA Chandelier

# MLF356ANTSLV Antique Silver



MATERIAL	Brass
HEIGHT	44.25"
WIDTH   DIAMETER	42.25"
LENGTH   PROJECTION	n/a
WEIGHT	4 kg   8.8 lbs
LAMPHOLDER	E26
MAX WATTAGE	40W
VOLTAGE	110/120v
ENVIRONMENTAL RATING	Dry Location (IP20)
CLASS PROTECTION	Class I
SHADE	MLFS004
FLEX   BAR   CHAIN LENGTH	40"
CABLE TYPE	MLCA037   Black PVC Flexible Cable   3 Core

## FIXING BRACKET: MLWB17



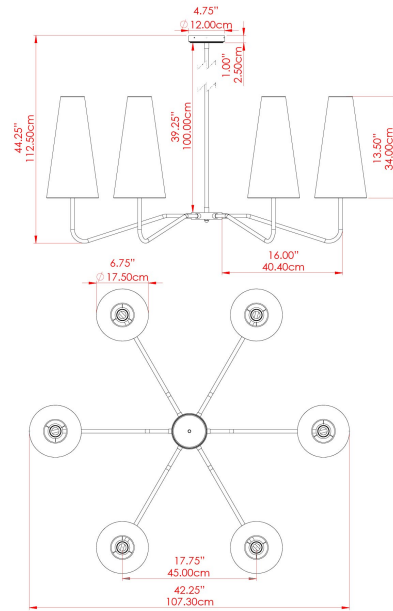
Product Notes:  
 1) Bulbs not included. 2) Dimensions do not include bulbs. 3) All products are individually made-to-order and therefore may differ slightly within manufacturing tolerances. 4) Cable / chain can be shortened during installation. Longer cable / chain lengths available on request. 5) Additional color finishes may be available on request. 6) Twisted cable is not available for UL wired products. Round cable in black or brown only is supplied instead. 7) Refer to our website for a full list of terms and conditions.





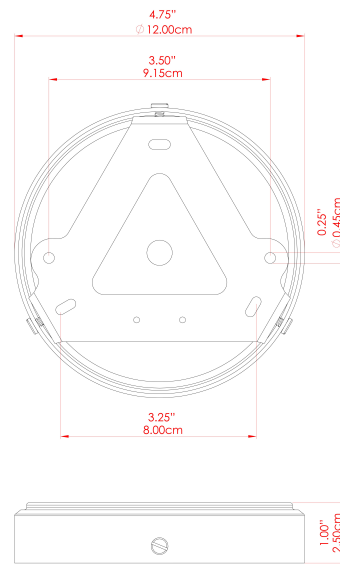
# PARA Chandelier

## MLF356PCMBK Matt Black



MATERIAL	Brass
HEIGHT	44.25"
WIDTH   DIAMETER	42.25"
LENGTH   PROJECTION	n/a
WEIGHT	4 kg   8.8 lbs
LAMPHOLDER	E26
MAX WATTAGE	40W
VOLTAGE	110/120v
ENVIRONMENTAL RATING	Dry Location (IP20)
CLASS PROTECTION	Class I
SHADE	MLFS004
FLEX   BAR   CHAIN LENGTH	40"
CABLE TYPE	MLCA037   Black PVC Flexible Cable   3 Core

### FIXING BRACKET: MLWB17



#### Product Notes:

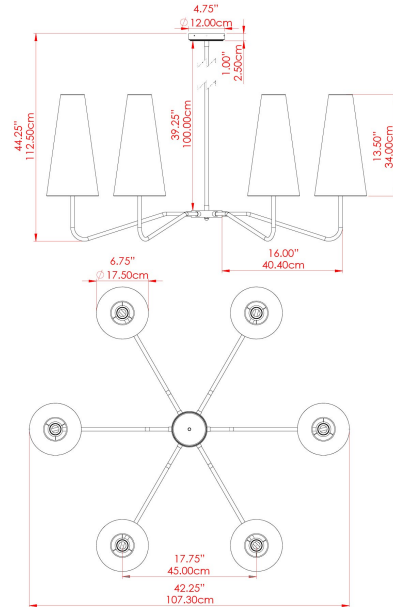
1) Bulbs not included. 2) Dimensions do not include bulbs. 3) All products are individually made-to-order and therefore may differ slightly within manufacturing tolerances. 4) Cable / chain can be shortened during installation. Longer cable / chain lengths available on request. 5) Additional color finishes may be available on request. 6) Twisted cable is not available for UL wired products. Round cable in black or brown only is supplied instead. 7) Refer to our website for a full list of terms and conditions.





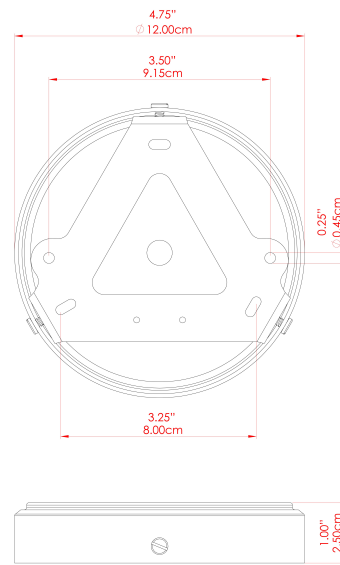
# PARA Chandelier

# MLF356POLBRS Polished Brass



MATERIAL	Brass
HEIGHT	44.25"
WIDTH   DIAMETER	42.25"
LENGTH   PROJECTION	n/a
WEIGHT	4 kg   8.8 lbs
LAMPHOLDER	E26
MAX WATTAGE	40W
VOLTAGE	110/120v
ENVIRONMENTAL RATING	Dry Location (IP20)
CLASS PROTECTION	Class I
SHADE	MLFS004
FLEX   BAR   CHAIN LENGTH	40"
CABLE TYPE	MLCA037   Black PVC Flexible Cable   3 Core

### FIXING BRACKET: MLWB17



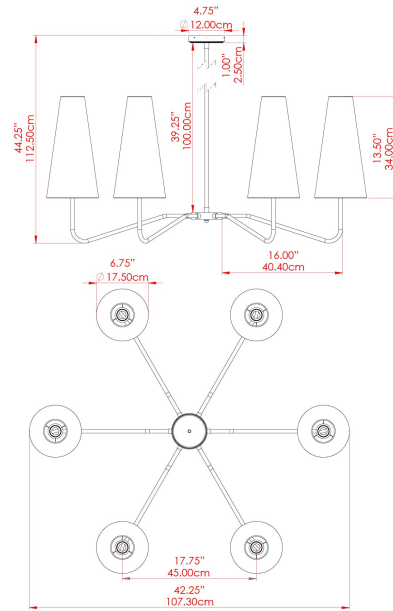
Product Notes:  
 1) Bulbs not included. 2) Dimensions do not include bulbs. 3) All products are individually made-to-order and therefore may differ slightly within manufacturing tolerances. 4) Cable / chain can be shortened during installation. Longer cable / chain lengths available on request. 5) Additional color finishes may be available on request. 6) Twisted cable is not available for UL wired products. Round cable in black or brown only is supplied instead. 7) Refer to our website for a full list of terms and conditions.





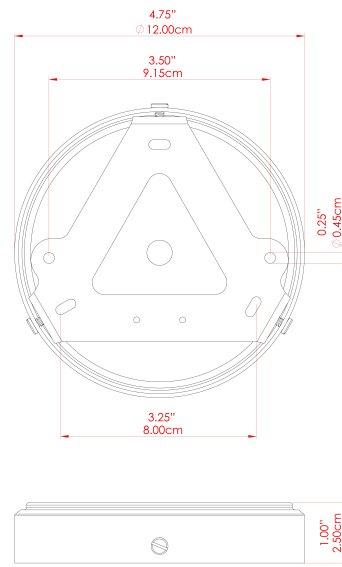
# PARA Chandelier

## MLF356SATBRS Satin Brass



MATERIAL	Brass
HEIGHT	44.25"
WIDTH   DIAMETER	42.25"
LENGTH   PROJECTION	n/a
WEIGHT	4 kg   8.8 lbs
LAMPHOLDER	E26
MAX WATTAGE	40W
VOLTAGE	110/120v
ENVIRONMENTAL RATING	Dry Location (IP20)
CLASS PROTECTION	Class I
SHADE	MLFS004
FLEX   BAR   CHAIN LENGTH	40"
CABLE TYPE	MLCA037   Black PVC Flexible Cable   3 Core

### FIXING BRACKET: MLWB17



Product Notes:  
 1) Bulbs not included. 2) Dimensions do not include bulbs. 3) All products are individually made-to-order and therefore may differ slightly within manufacturing tolerances. 4) Cable / chain can be shortened during installation. Longer cable / chain lengths available on request. 5) Additional color finishes may be available on request. 6) Twisted cable is not available for UL wired products. Round cable in black or brown only is supplied instead. 7) Refer to our website for a full list of terms and conditions.

