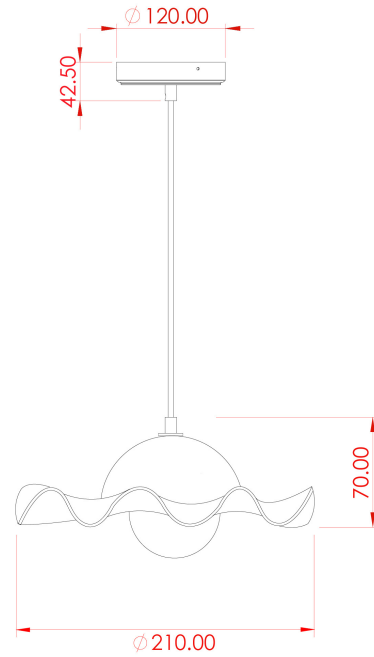


RIVALE Ceramic Pendant

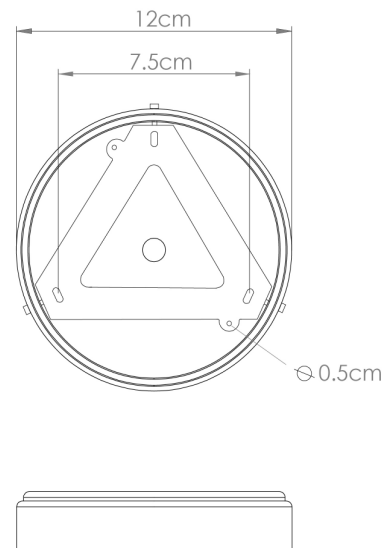
MLCMP058ANTBRSCl Antiqu Brass



MATERIAL	Ceramic Brass Glass
HEIGHT	8.5cm 3.35"
WIDTH DIAMETER	21cm 8.27"
LENGTH PROJECTION	n/a
WEIGHT	0.6KG 1.32lbs
LAMP HOLDER	G9
MAX WATTAGE	6.5W x 1
VOLTAGE	220/240v or 110/120v*
IP RATING	20
CLASS PROTECTION	I
SHADE CODE	GL196
CABLE CHAIN BAR LENGT	100cm 40"
CABLE TYPE	MLCA047 2 Core Round Brown Braid PVC

Fixing Bracket MLWB17

* Fixing bracket may differ for UL wired products.

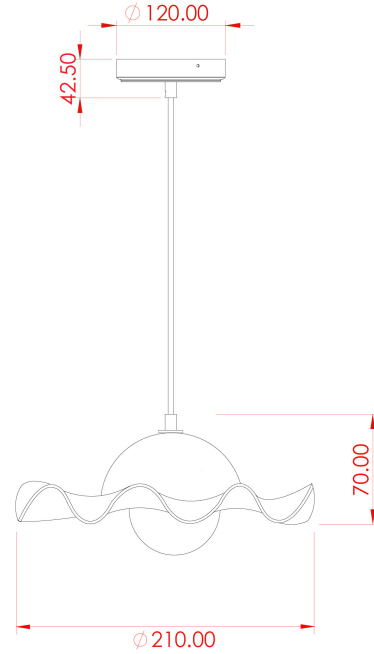


Product Notes:

1) Bulbs not included. 2) Dimensions do not include bulbs. 3) All products are individually made-to-order and therefore may differ slightly within manufacturing tolerances. 4) Cable / chain can be shortened during installation. Longer cable / chain lengths available on request. 5) Additional colour finishes may be available on request. 6) UL wired products operate at 110/120v with the appropriate lamp holder. 7) Twisted cable is not available for UL wired products. Round cable in black or brown only is supplied instead. 8) Refer to our website for a full list of terms and conditions.

RIVALE Ceramic Pendant

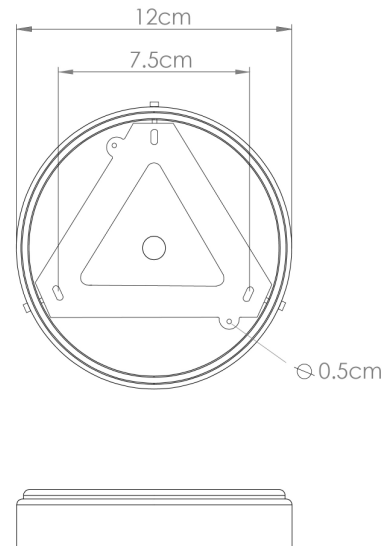
MLCMP058ANTBRSFR Antique Brass



MATERIAL	Ceramic Brass Glass
HEIGHT	8.5cm 3.35"
WIDTH DIAMETER	21cm 8.27"
LENGTH PROJECTION	n/a
WEIGHT	0.6KG 1.32lbs
LAMP HOLDER	G9
MAX WATTAGE	6.5W x 1
VOLTAGE	220/240v or 110/120v*
IP RATING	20
CLASS PROTECTION	I
SHADE CODE	GL208
CABLE CHAIN BAR LENGT	100cm 40"
CABLE TYPE	MLCA047 2 Core Round Brown Braid PVC

Fixing Bracket MLWB17

* Fixing bracket may differ for UL wired products.

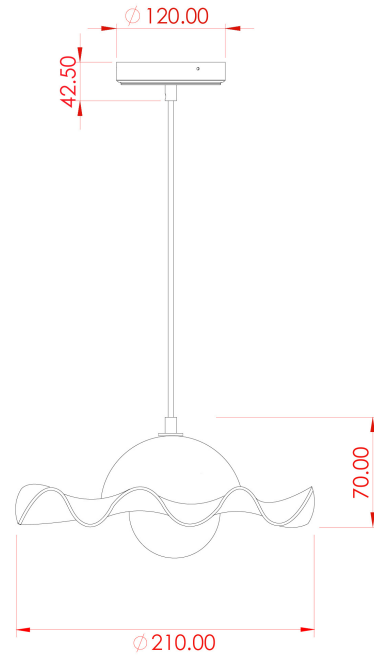


Product Notes:

1) Bulbs not included. 2) Dimensions do not include bulbs. 3) All products are individually made-to-order and therefore may differ slightly within manufacturing tolerances. 4) Cable / chain can be shortened during installation. Longer cable / chain lengths available on request. 5) Additional colour finishes may be available on request. 6) UL wired products operate at 110/120v with the appropriate lamp holder. 7) Twisted cable is not available for UL wired products. Round cable in black or brown only is supplied instead. 8) Refer to our website for a full list of terms and conditions.

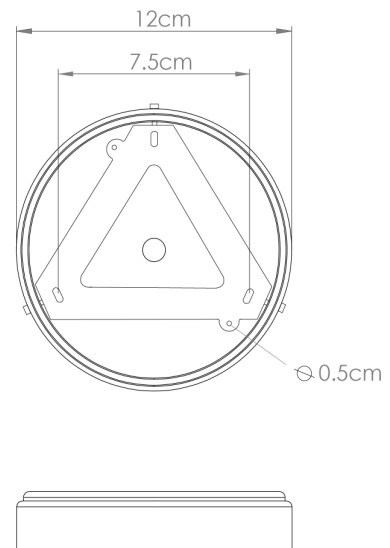
RIVALE Ceramic Pendant

MLCMP058ANTBRSOP Antique Brass



MATERIAL	Ceramic Brass Glass
HEIGHT	8.5cm 3.35"
WIDTH DIAMETER	21cm 8.27"
LENGTH PROJECTION	n/a
WEIGHT	0.6KG 1.32lbs
LAMP HOLDER	G9
MAX WATTAGE	6.5W x 1
VOLTAGE	220/240v or 110/120v*
IP RATING	20
CLASS PROTECTION	I
SHADE CODE	GL192
CABLE CHAIN BAR LENGT	100cm 40"
CABLE TYPE	MLCA047 2 Core Round Brown Braid PVC

Fixing Bracket MLWB17
* Fixing bracket may differ for UL wired products.

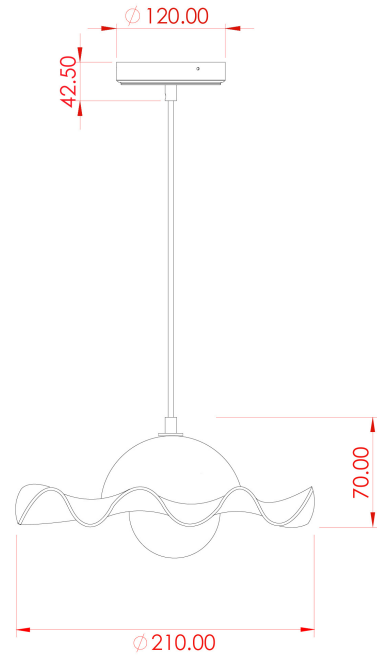


Product Notes:

1) Bulbs not included. 2) Dimensions do not include bulbs. 3) All products are individually made-to-order and therefore may differ slightly within manufacturing tolerances. 4) Cable / chain can be shortened during installation. Longer cable / chain lengths available on request. 5) Additional colour finishes may be available on request. 6) UL wired products operate at 110/120v with the appropriate lamp holder. 7) Twisted cable is not available for UL wired products. Round cable in black or brown only is supplied instead. 8) Refer to our website for a full list of terms and conditions.

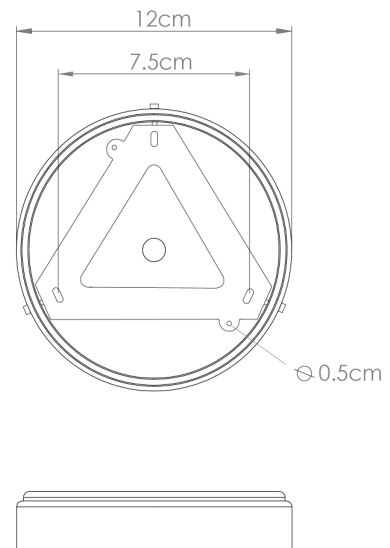
RIVALE Ceramic Pendant

MLCMP058ANTSLVCL Antique Silver



MATERIAL	Ceramic Brass Glass
HEIGHT	8.5cm 3.35"
WIDTH DIAMETER	21cm 8.27"
LENGTH PROJECTION	n/a
WEIGHT	0.6KG 1.32lbs
LAMP HOLDER	G9
MAX WATTAGE	6.5W x 1
VOLTAGE	220/240v or 110/120v *
IP RATING	20
CLASS PROTECTION	I
SHADE CODE	GL196
CABLE CHAIN BAR LENGT	100cm 40"
CABLE TYPE	MLCA028 2 Core Round Black Braid PVC

Fixing Bracket MLWB17
* Fixing bracket may differ for UL wired products.



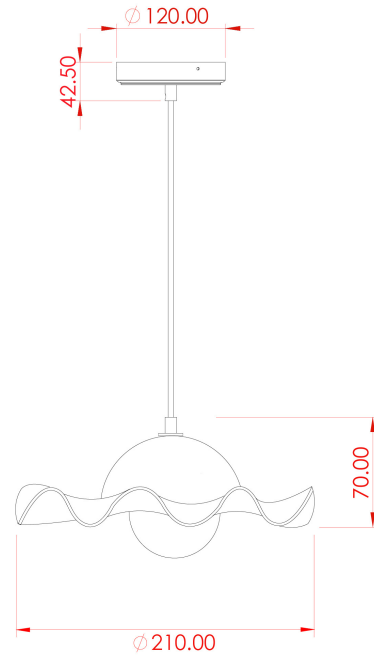
Product Notes:

1) Bulbs not included. 2) Dimensions do not include bulbs. 3) All products are individually made-to-order and therefore may differ slightly within manufacturing tolerances. 4) Cable / chain can be shortened during installation. Longer cable / chain lengths available on request. 5) Additional colour finishes may be available on request. 6) UL wired products operate at 110/120v with the appropriate lamp holder. 7) Twisted cable is not available for UL wired products. Round cable in black or brown only is supplied instead. 8) Refer to our website for a full list of terms and conditions.



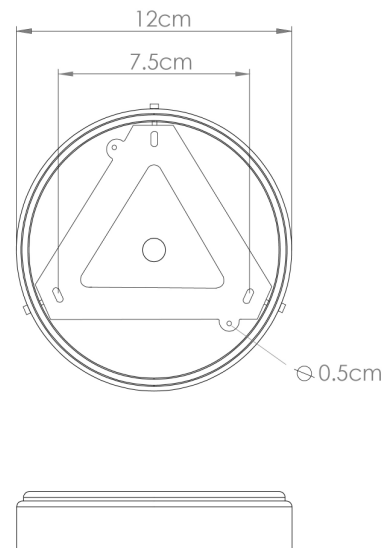
RIVALE Ceramic Pendant

MLCMP058ANTSLVFR Antique Silver



MATERIAL	Ceramic Brass Glass
HEIGHT	8.5cm 3.35"
WIDTH DIAMETER	21cm 8.27"
LENGTH PROJECTION	n/a
WEIGHT	0.6KG 1.32lbs
LAMP HOLDER	G9
MAX WATTAGE	6.5W x 1
VOLTAGE	220/240v or 110/120v *
IP RATING	20
CLASS PROTECTION	I
SHADE CODE	GL208
CABLE CHAIN BAR LENGT	100cm 40"
CABLE TYPE	MLCA028 2 Core Round Black Braid PVC

Fixing Bracket MLWB17
* Fixing bracket may differ for UL wired products.

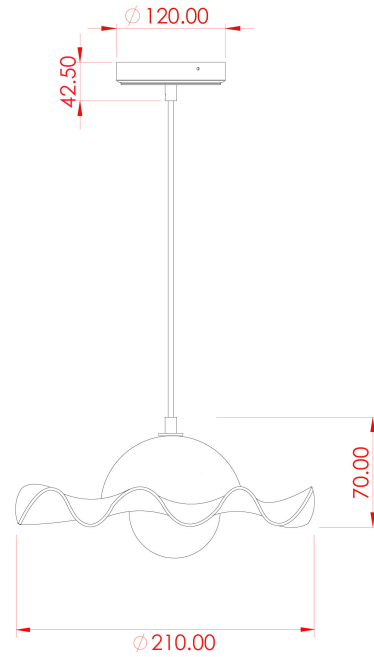


Product Notes:

1) Bulbs not included. 2) Dimensions do not include bulbs. 3) All products are individually made-to-order and therefore may differ slightly within manufacturing tolerances. 4) Cable / chain can be shortened during installation. Longer cable / chain lengths available on request. 5) Additional colour finishes may be available on request. 6) UL wired products operate at 110/120v with the appropriate lamp holder. 7) Twisted cable is not available for UL wired products. Round cable in black or brown only is supplied instead. 8) Refer to our website for a full list of terms and conditions.

RIVALE Ceramic Pendant

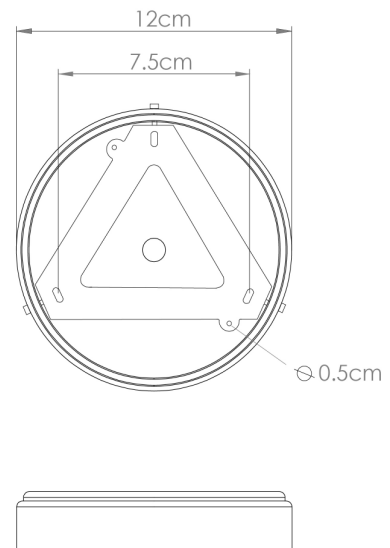
MLCMP058ANTSLVOP Antique Silver



MATERIAL	Ceramic Brass Glass
HEIGHT	8.5cm 3.35"
WIDTH DIAMETER	21cm 8.27"
LENGTH PROJECTION	n/a
WEIGHT	0.6KG 1.32lbs
LAMP HOLDER	G9
MAX WATTAGE	6.5W x 1
VOLTAGE	220/240v or 110/120v *
IP RATING	20
CLASS PROTECTION	I
SHADE CODE	GL192
CABLE CHAIN BAR LENGT	100cm 40"
CABLE TYPE	MLCA028 2 Core Round Black Braid PVC

Fixing Bracket MLWB17

* Fixing bracket may differ for UL wired products.

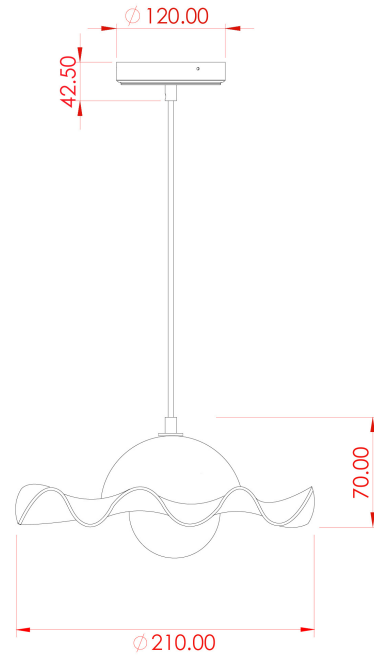


Product Notes:

1) Bulbs not included. 2) Dimensions do not include bulbs. 3) All products are individually made-to-order and therefore may differ slightly within manufacturing tolerances. 4) Cable / chain can be shortened during installation. Longer cable / chain lengths available on request. 5) Additional colour finishes may be available on request. 6) UL wired products operate at 110/120v with the appropriate lamp holder. 7) Twisted cable is not available for UL wired products. Round cable in black or brown only is supplied instead. 8) Refer to our website for a full list of terms and conditions.

RIVALE Ceramic Pendant

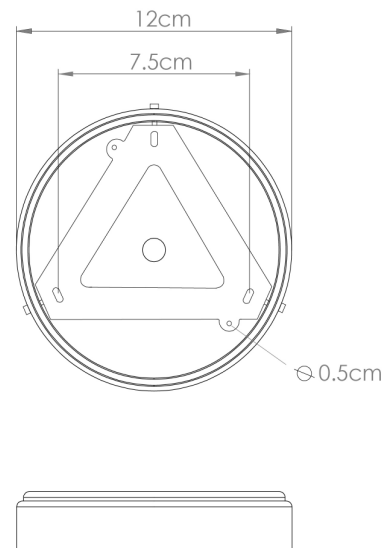
MLCMP058PCMBKOP Matt Black



MATERIAL	Ceramic Brass Glass
HEIGHT	8.5cm 3.35"
WIDTH DIAMETER	21cm 8.27"
LENGTH PROJECTION	n/a
WEIGHT	0.6KG 1.32lbs
LAMP HOLDER	G9
MAX WATTAGE	6.5W x 1
VOLTAGE	220/240v or 110/120v *
IP RATING	20
CLASS PROTECTION	I
SHADE CODE	GL192
CABLE CHAIN BAR LENGT	100cm 40"
CABLE TYPE	MLCA028 2 Core Round Black Braid PVC

Fixing Bracket MLWB17

* Fixing bracket may differ for UL wired products.

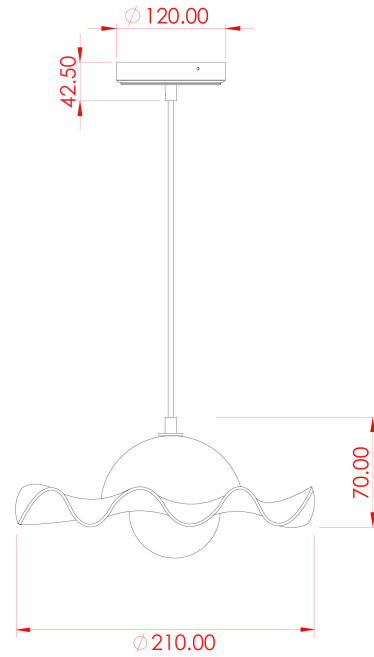


Product Notes:

1) Bulbs not included. 2) Dimensions do not include bulbs. 3) All products are individually made-to-order and therefore may differ slightly within manufacturing tolerances. 4) Cable / chain can be shortened during installation. Longer cable / chain lengths available on request. 5) Additional colour finishes may be available on request. 6) UL wired products operate at 110/120v with the appropriate lamp holder. 7) Twisted cable is not available for UL wired products. Round cable in black or brown only is supplied instead. 8) Refer to our website for a full list of terms and conditions.

RIVALE Ceramic Pendant

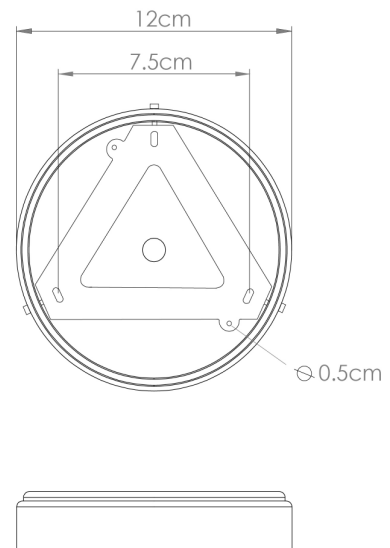
MLCMP058POLBRSC L Polished Brass



MATERIAL	Ceramic Brass Glass
HEIGHT	8.5cm 3.35"
WIDTH DIAMETER	21cm 8.27"
LENGTH PROJECTION	n/a
WEIGHT	0.6KG 1.32lbs
LAMP HOLDER	G9
MAX WATTAGE	6.5W x 1
VOLTAGE	220/240v or 110/120v *
IP RATING	20
CLASS PROTECTION	I
SHADE CODE	GL196
CABLE CHAIN BAR LENGT	100cm 40"
CABLE TYPE	MLCA028 2 Core Round Black Braid PVC

Fixing Bracket MLWB17

* Fixing bracket may differ for UL wired products.

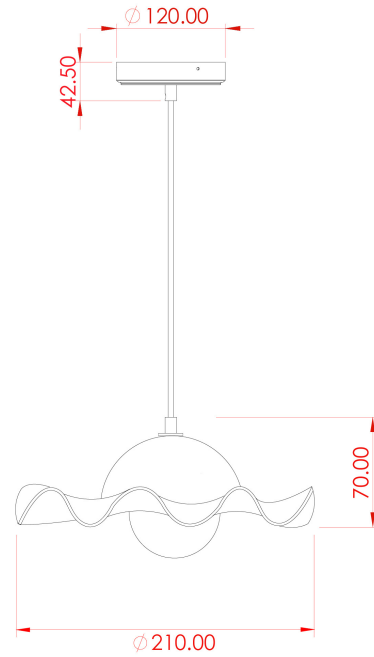


Product Notes:

1) Bulbs not included. 2) Dimensions do not include bulbs. 3) All products are individually made-to-order and therefore may differ slightly within manufacturing tolerances. 4) Cable / chain can be shortened during installation. Longer cable / chain lengths available on request. 5) Additional colour finishes may be available on request. 6) UL wired products operate at 110/120v with the appropriate lamp holder. 7) Twisted cable is not available for UL wired products. Round cable in black or brown only is supplied instead. 8) Refer to our website for a full list of terms and conditions.

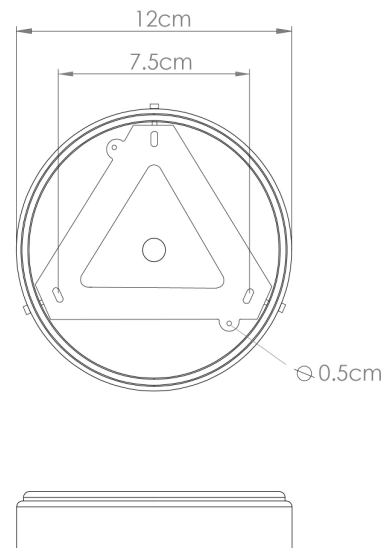
RIVALE Ceramic Pendant

MLCMP058POLBRSFR Polished Brass



MATERIAL	Ceramic Brass Glass
HEIGHT	8.5cm 3.35"
WIDTH DIAMETER	21cm 8.27"
LENGTH PROJECTION	n/a
WEIGHT	0.6KG 1.32lbs
LAMP HOLDER	G9
MAX WATTAGE	6.5W x 1
VOLTAGE	220/240v or 110/120v*
IP RATING	20
CLASS PROTECTION	I
SHADE CODE	GL208
CABLE CHAIN BAR LENGT	100cm 40"
CABLE TYPE	MLCA028 2 Core Round Black Braid PVC

Fixing Bracket MLWB17
* Fixing bracket may differ for UL wired products.

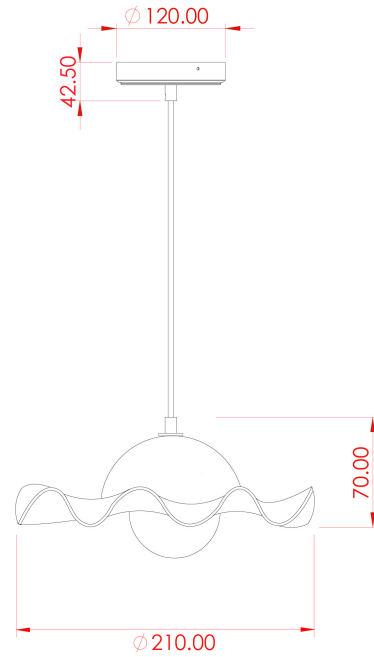


Product Notes:

1) Bulbs not included. 2) Dimensions do not include bulbs. 3) All products are individually made-to-order and therefore may differ slightly within manufacturing tolerances. 4) Cable / chain can be shortened during installation. Longer cable / chain lengths available on request. 5) Additional colour finishes may be available on request. 6) UL wired products operate at 110/120v with the appropriate lamp holder. 7) Twisted cable is not available for UL wired products. Round cable in black or brown only is supplied instead. 8) Refer to our website for a full list of terms and conditions.

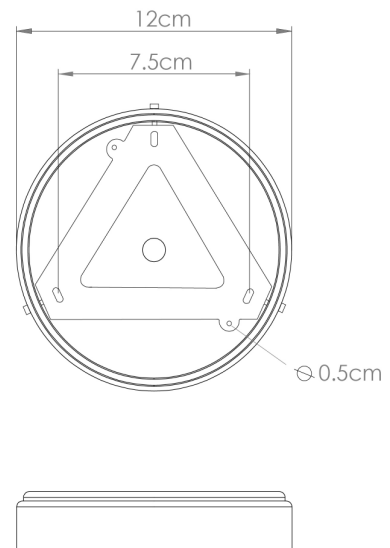
RIVALE Ceramic Pendant

MLCMP058POLBRSOP Polished Brass



MATERIAL	Ceramic Brass Glass
HEIGHT	8.5cm 3.35"
WIDTH DIAMETER	21cm 8.27"
LENGTH PROJECTION	n/a
WEIGHT	0.6KG 1.32lbs
LAMP HOLDER	G9
MAX WATTAGE	6.5W x 1
VOLTAGE	220/240v or 110/120v*
IP RATING	20
CLASS PROTECTION	I
SHADE CODE	GL192
CABLE CHAIN BAR LENGT	100cm 40"
CABLE TYPE	MLCA028 2 Core Round Black Braid PVC

Fixing Bracket MLWB17
* Fixing bracket may differ for UL wired products.

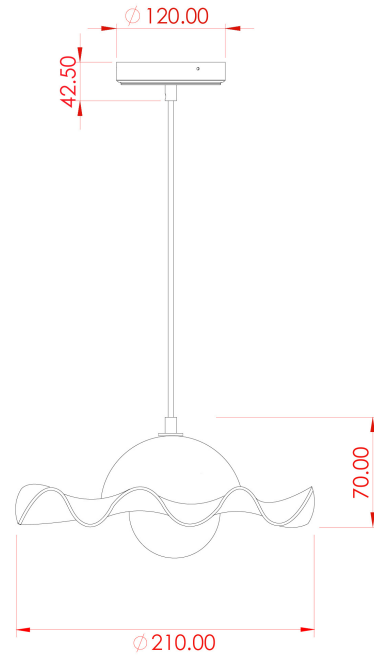


Product Notes:

1) Bulbs not included. 2) Dimensions do not include bulbs. 3) All products are individually made-to-order and therefore may differ slightly within manufacturing tolerances. 4) Cable / chain can be shortened during installation. Longer cable / chain lengths available on request. 5) Additional colour finishes may be available on request. 6) UL wired products operate at 110/120v with the appropriate lamp holder. 7) Twisted cable is not available for UL wired products. Round cable in black or brown only is supplied instead. 8) Refer to our website for a full list of terms and conditions.

RIVALE Ceramic Pendant

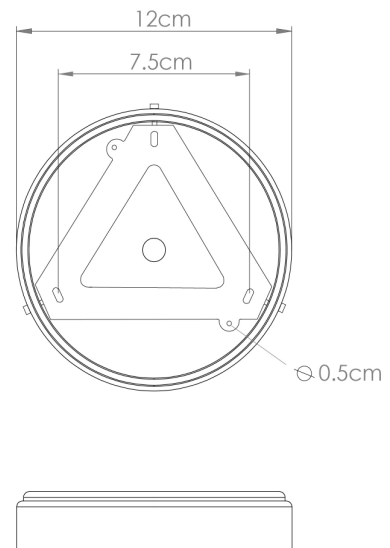
MLCMP058SATBRSC L Satin Brass



MATERIAL	Ceramic Brass Glass
HEIGHT	8.5cm 3.35"
WIDTH DIAMETER	21cm 8.27"
LENGTH PROJECTION	n/a
WEIGHT	0.6KG 1.32lbs
LAMP HOLDER	G9
MAX WATTAGE	6.5W x 1
VOLTAGE	220/240v or 110/120v *
IP RATING	20
CLASS PROTECTION	I
SHADE CODE	GL196
CABLE CHAIN BAR LENGT	100cm 40"
CABLE TYPE	MLCA028 2 Core Round Black Braid PVC

Fixing Bracket MLWB17

* Fixing bracket may differ for UL wired products.

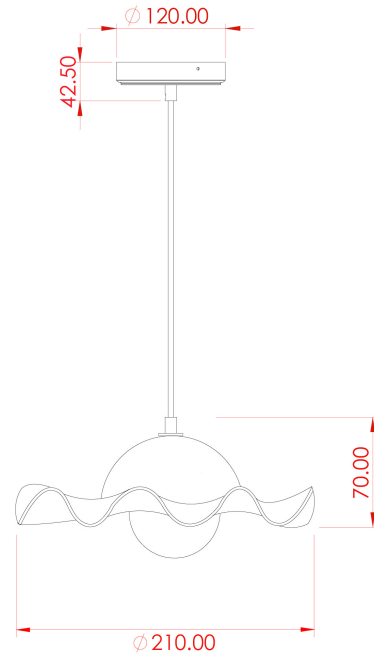


Product Notes:

1) Bulbs not included. 2) Dimensions do not include bulbs. 3) All products are individually made-to-order and therefore may differ slightly within manufacturing tolerances. 4) Cable / chain can be shortened during installation. Longer cable / chain lengths available on request. 5) Additional colour finishes may be available on request. 6) UL wired products operate at 110/120v with the appropriate lamp holder. 7) Twisted cable is not available for UL wired products. Round cable in black or brown only is supplied instead. 8) Refer to our website for a full list of terms and conditions.

RIVALE Ceramic Pendant

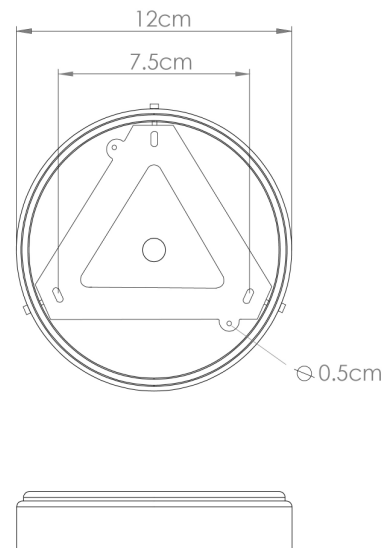
MLCMP058SATBRSFR Satin Brass



MATERIAL	Ceramic Brass Glass
HEIGHT	8.5cm 3.35"
WIDTH DIAMETER	21cm 8.27"
LENGTH PROJECTION	n/a
WEIGHT	0.6KG 1.32lbs
LAMP HOLDER	G9
MAX WATTAGE	6.5W x 1
VOLTAGE	220/240v or 110/120v *
IP RATING	20
CLASS PROTECTION	I
SHADE CODE	GL208
CABLE CHAIN BAR LENGT	100cm 40"
CABLE TYPE	MLCA028 2 Core Round Black Braid PVC

Fixing Bracket MLWB17

* Fixing bracket may differ for UL wired products.

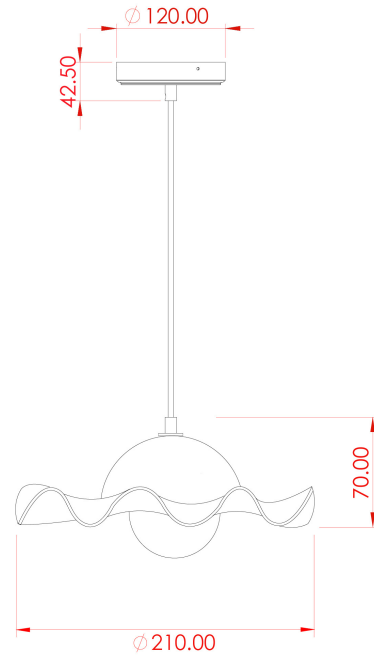


Product Notes:

1) Bulbs not included. 2) Dimensions do not include bulbs. 3) All products are individually made-to-order and therefore may differ slightly within manufacturing tolerances. 4) Cable / chain can be shortened during installation. Longer cable / chain lengths available on request. 5) Additional colour finishes may be available on request. 6) UL wired products operate at 110/120v with the appropriate lamp holder. 7) Twisted cable is not available for UL wired products. Round cable in black or brown only is supplied instead. 8) Refer to our website for a full list of terms and conditions.

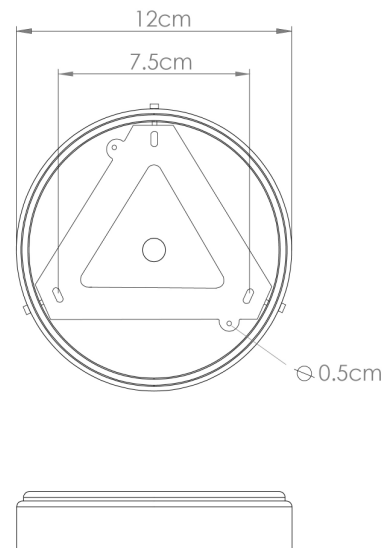
RIVALE Ceramic Pendant

MLCMP058SATBRSOP Satin Brass



MATERIAL	Ceramic Brass Glass
HEIGHT	8.5cm 3.35"
WIDTH DIAMETER	21cm 8.27"
LENGTH PROJECTION	n/a
WEIGHT	0.6KG 1.32lbs
LAMP HOLDER	G9
MAX WATTAGE	6.5W x 1
VOLTAGE	220/240v or 110/120v *
IP RATING	20
CLASS PROTECTION	I
SHADE CODE	GL192
CABLE CHAIN BAR LENGT	100cm 40"
CABLE TYPE	MLCA028 2 Core Round Black Braid PVC

Fixing Bracket MLWB17
 * Fixing bracket may differ for UL wired products.



Product Notes:

1) Bulbs not included. 2) Dimensions do not include bulbs. 3) All products are individually made-to-order and therefore may differ slightly within manufacturing tolerances. 4) Cable / chain can be shortened during installation. Longer cable / chain lengths available on request. 5) Additional colour finishes may be available on request. 6) UL wired products operate at 110/120v with the appropriate lamp holder. 7) Twisted cable is not available for UL wired products. Round cable in black or brown only is supplied instead. 8) Refer to our website for a full list of terms and conditions.