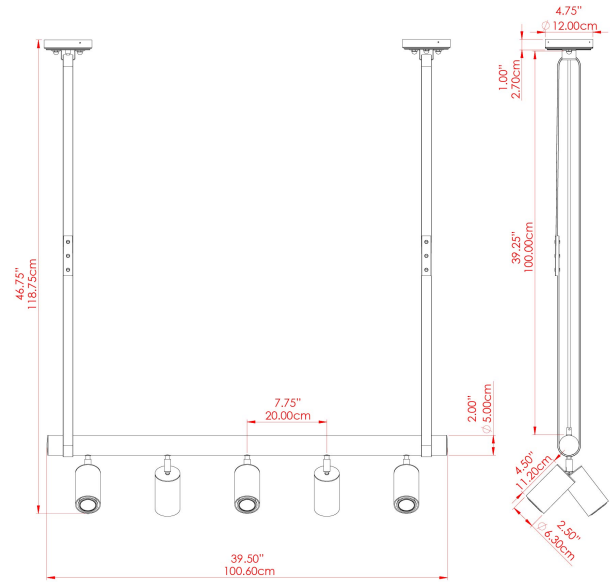




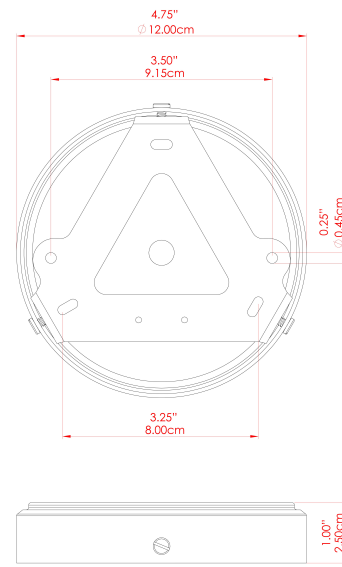
HOLMES Chandelier

MLF352PCMBK Matt Black



MATERIAL	Brass Steel Leather
HEIGHT	46.75"
WIDTH DIAMETER	10.75"
LENGTH PROJECTION	39.25"
WEIGHT	7.3 kg 16.3 lbs
LAMPHOLDER	GU10
MAX WATTAGE	5W
VOLTAGE	110/120v
ENVIRONMENTAL RATING	Dry Location (IP20)
CLASS PROTECTION	Class I
SHADE	
FLEX BAR CHAIN LENGTH	40"
CABLE TYPE	MLCA046 Brown Fabric Braided Cable 3 Core Round

FIXING BRACKET: MLWB17

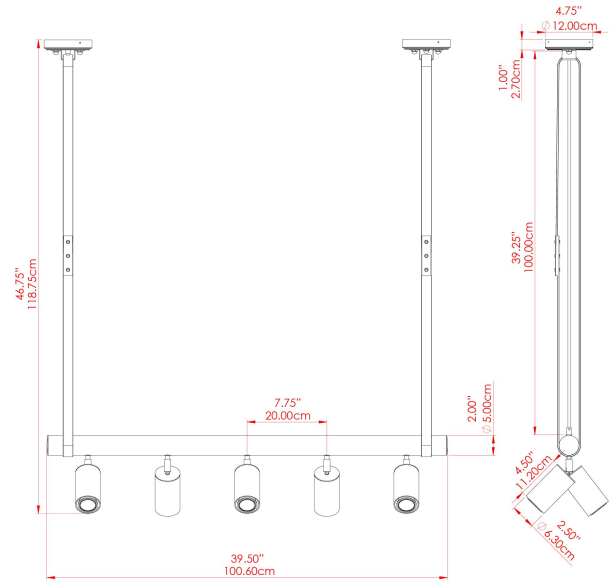


Product Notes:
 1) Bulbs not included. 2) Dimensions do not include bulbs. 3) All products are individually made-to-order and therefore may differ slightly within manufacturing tolerances. 4) Cable / chain can be shortened during installation. Longer cable / chain lengths available on request. 5) Additional color finishes may be available on request. 6) Twisted cable is not available for UL wired products. Round cable in black or brown only is supplied instead. 7) Refer to our website for a full list of terms and conditions.



HOLMES Chandelier

MLF352PCMBKANTBRS Antique Brass



MATERIAL	Brass Steel Leather
HEIGHT	46.75"
WIDTH DIAMETER	10.75"
LENGTH PROJECTION	39.25"
WEIGHT	7.3 kg 16.3 lbs
LAMPHOLDER	GU10
MAX WATTAGE	5W
VOLTAGE	110/120v
ENVIRONMENTAL RATING	Dry Location (IP20)
CLASS PROTECTION	Class I
SHADE	
FLEX BAR CHAIN LENGTH	40"
CABLE TYPE	MLCA046 Brown Fabric Braided Cable 3 Core Round

FIXING BRACKET: MLWB17



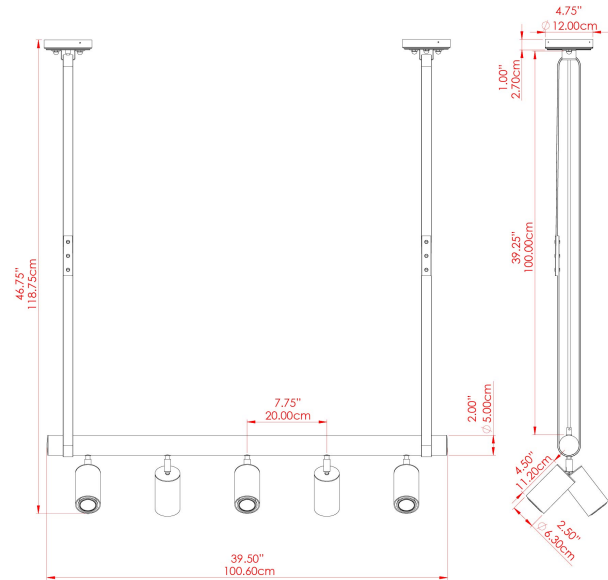
Product Notes:
 1) Bulbs not included. 2) Dimensions do not include bulbs. 3) All products are individually made-to-order and therefore may differ slightly within manufacturing tolerances. 4) Cable / chain can be shortened during installation. Longer cable / chain lengths available on request. 5) Additional color finishes may be available on request. 6) Twisted cable is not available for UL wired products. Round cable in black or brown only is supplied instead. 7) Refer to our website for a full list of terms and conditions.





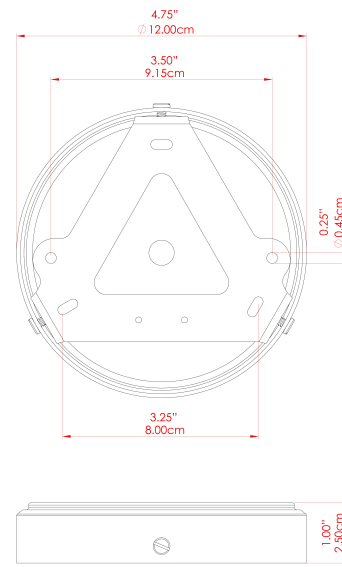
HOLMES Chandelier

MLF352PCMBKANTSLV Antique Silver



MATERIAL	Brass Steel Leather
HEIGHT	46.75"
WIDTH DIAMETER	10.75"
LENGTH PROJECTION	39.25"
WEIGHT	7.3 kg 16.3 lbs
LAMPHOLDER	GU10
MAX WATTAGE	5W
VOLTAGE	110/120v
ENVIRONMENTAL RATING	Dry Location (IP20)
CLASS PROTECTION	Class I
SHADE	
FLEX BAR CHAIN LENGTH	40"
CABLE TYPE	MLCA046 Brown Fabric Braided Cable 3 Core Round

FIXING BRACKET: MLWB17



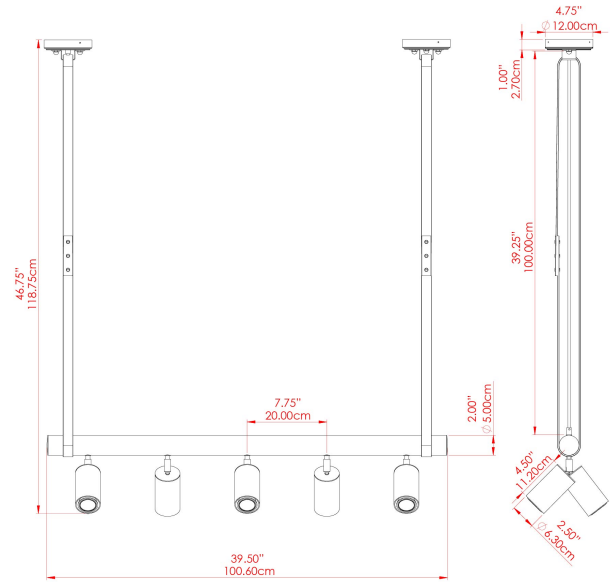
Product Notes:
1) Bulbs not included. 2) Dimensions do not include bulbs. 3) All products are individually made-to-order and therefore may differ slightly within manufacturing tolerances. 4) Cable / chain can be shortened during installation. Longer cable / chain lengths available on request. 5) Additional color finishes may be available on request. 6) Twisted cable is not available for UL wired products. Round cable in black or brown only is supplied instead. 7) Refer to our website for a full list of terms and conditions.





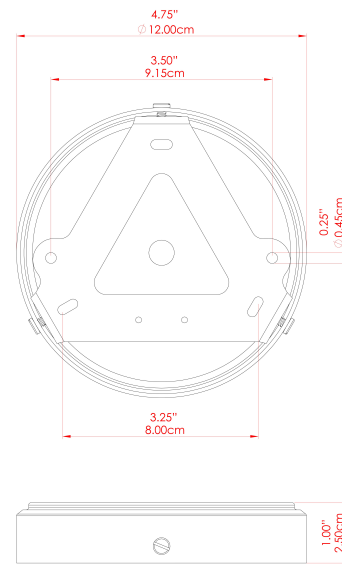
HOLMES Chandelier

MLF352PCMBKNATBRS Natural Brass



MATERIAL	Brass Steel Leather
HEIGHT	46.75"
WIDTH DIAMETER	10.75"
LENGTH PROJECTION	39.25"
WEIGHT	7.3 kg 16.3 lbs
LAMPHOLDER	GU10
MAX WATTAGE	5W
VOLTAGE	110/120v
ENVIRONMENTAL RATING	Dry Location (IP20)
CLASS PROTECTION	Class I
SHADE	
FLEX BAR CHAIN LENGTH	40"
CABLE TYPE	MLCA046 Brown Fabric Braided Cable 3 Core Round

FIXING BRACKET: MLWB17



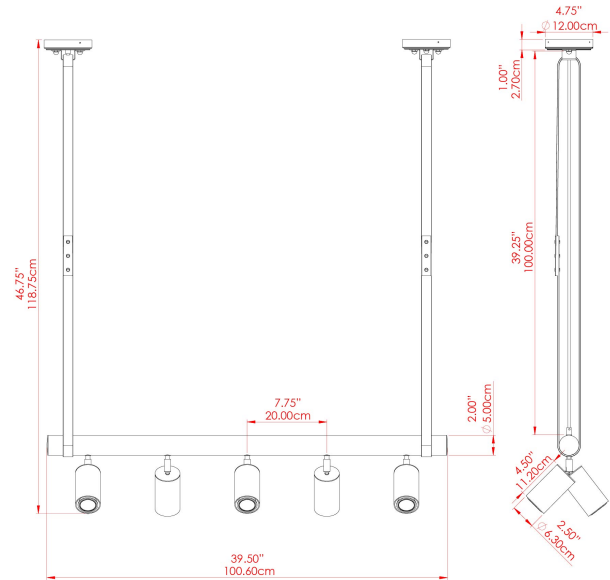
Product Notes:
 1) Bulbs not included. 2) Dimensions do not include bulbs. 3) All products are individually made-to-order and therefore may differ slightly within manufacturing tolerances. 4) Cable / chain can be shortened during installation. Longer cable / chain lengths available on request. 5) Additional color finishes may be available on request. 6) Twisted cable is not available for UL wired products. Round cable in black or brown only is supplied instead. 7) Refer to our website for a full list of terms and conditions.





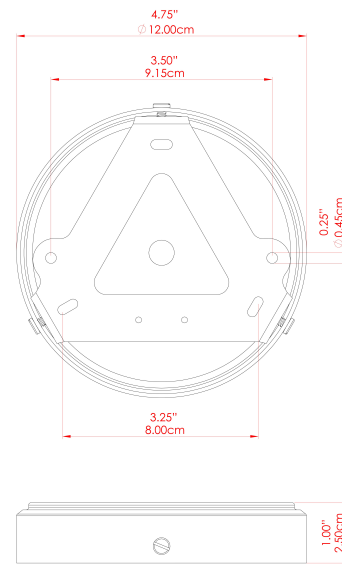
HOLMES Chandelier

MLF352PCMBKPOLBRS Polished Brass



MATERIAL	Brass Steel Leather
HEIGHT	46.75"
WIDTH DIAMETER	10.75"
LENGTH PROJECTION	39.25"
WEIGHT	7.3 kg 16.3 lbs
LAMPHOLDER	GU10
MAX WATTAGE	5W
VOLTAGE	110/120v
ENVIRONMENTAL RATING	Dry Location (IP20)
CLASS PROTECTION	Class I
SHADE	
FLEX BAR CHAIN LENGTH	40"
CABLE TYPE	MLCA046 Brown Fabric Braided Cable 3 Core Round

FIXING BRACKET: MLWB17



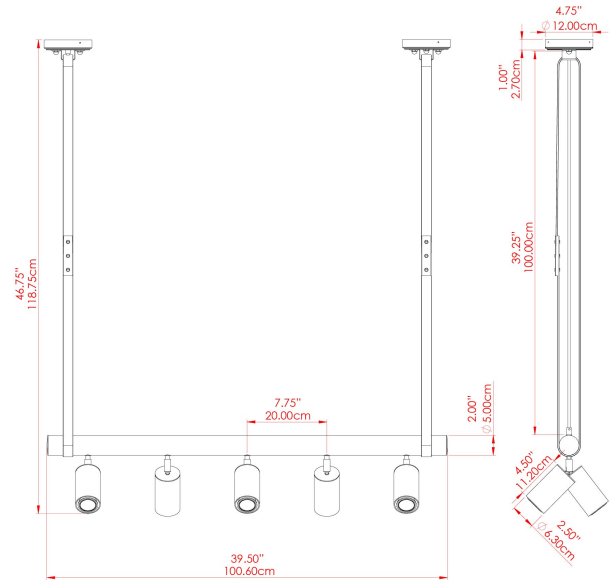
Product Notes:
 1) Bulbs not included. 2) Dimensions do not include bulbs. 3) All products are individually made-to-order and therefore may differ slightly within manufacturing tolerances. 4) Cable / chain can be shortened during installation. Longer cable / chain lengths available on request. 5) Additional color finishes may be available on request. 6) Twisted cable is not available for UL wired products. Round cable in black or brown only is supplied instead. 7) Refer to our website for a full list of terms and conditions.





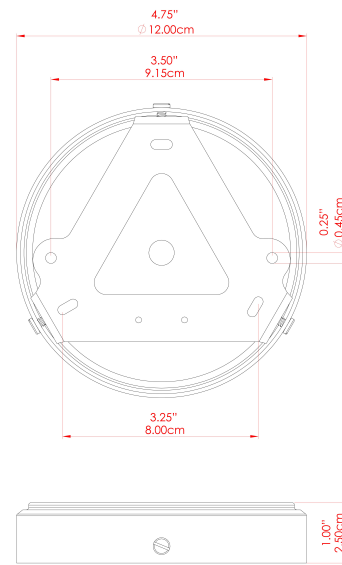
HOLMES Chandelier

MLF352PCMBKSATBRS Satin Brass



MATERIAL	Brass Steel Leather
HEIGHT	46.75"
WIDTH DIAMETER	10.75"
LENGTH PROJECTION	39.25"
WEIGHT	7.3 kg 16.3 lbs
LAMPHOLDER	GU10
MAX WATTAGE	5W
VOLTAGE	110/120v
ENVIRONMENTAL RATING	Dry Location (IP20)
CLASS PROTECTION	Class I
SHADE	
FLEX BAR CHAIN LENGTH	40"
CABLE TYPE	MLCA046 Brown Fabric Braided Cable 3 Core Round

FIXING BRACKET: MLWB17



Product Notes:

1) Bulbs not included. 2) Dimensions do not include bulbs. 3) All products are individually made-to-order and therefore may differ slightly within manufacturing tolerances. 4) Cable / chain can be shortened during installation. Longer cable / chain lengths available on request. 5) Additional color finishes may be available on request. 6) Twisted cable is not available for UL wired products. Round cable in black or brown only is supplied instead. 7) Refer to our website for a full list of terms and conditions.

