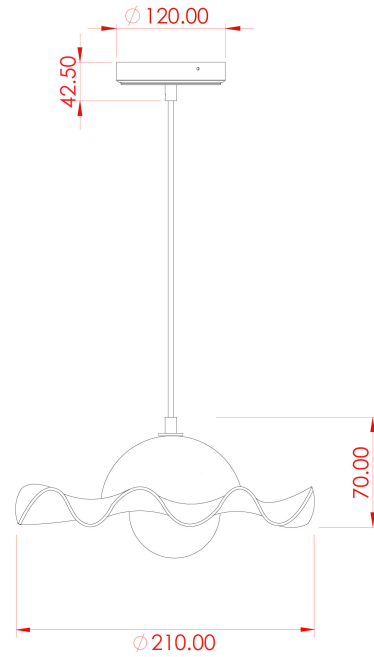


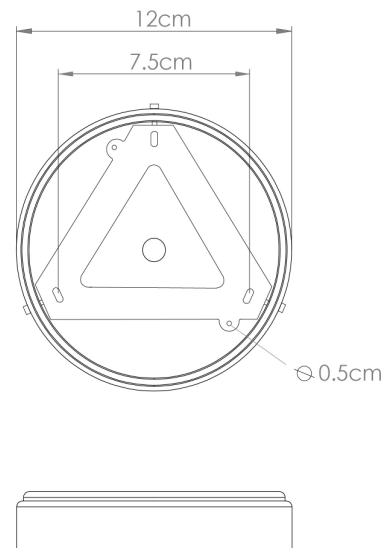
RIVALE Ceramic Pendant

MLCMP057ANTBRSCl Antique Brass



| | |
|---------------------------|--|
| MATERIAL | Ceramic Brass Glass |
| HEIGHT | 8.5cm 3.35" |
| WIDTH DIAMETER | 21cm 8.27" |
| LENGTH PROJECTION | n/a |
| WEIGHT | 0.6KG 1.32lbs |
| LAMP HOLDER | G9 |
| MAX WATTAGE | 6.5W x 1 |
| VOLTAGE | 220/240v or 110/120v* |
| IP RATING | 20 |
| CLASS PROTECTION | I |
| SHADE CODE | GL196 |
| CABLE CHAIN BAR LENGT | 100cm 40" |
| CABLE TYPE | MLCA047 2 Core Round Brown Braid PVC |

Fixing Bracket MLWB17
* Fixing bracket may differ for UL wired products.

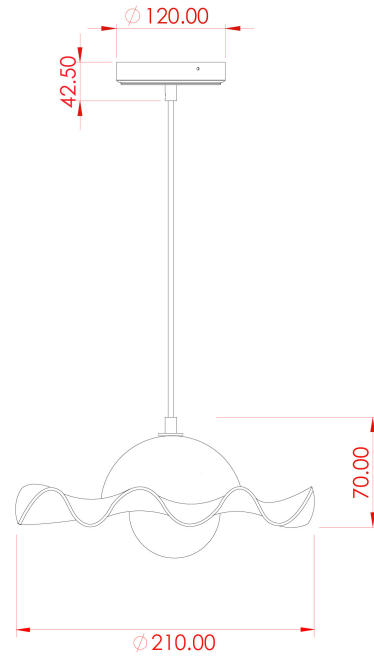


Product Notes:

1) Bulbs not included. 2) Dimensions do not include bulbs. 3) All products are individually made-to-order and therefore may differ slightly within manufacturing tolerances. 4) Cable / chain can be shortened during installation. Longer cable / chain lengths available on request. 5) Additional colour finishes may be available on request. 6) UL wired products operate at 110/120v with the appropriate lamp holder. 7) Twisted cable is not available for UL wired products. Round cable in black or brown only is supplied instead. 8) Refer to our website for a full list of terms and conditions.

RIVALE Ceramic Pendant

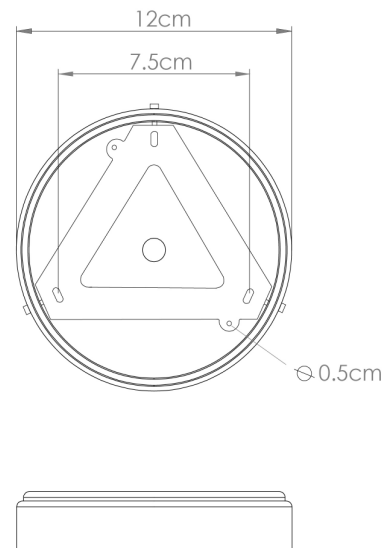
MLCMP057ANTBRSFR Antique Brass



| | |
|---------------------------|--|
| MATERIAL | Ceramic Brass Glass |
| HEIGHT | 8.5cm 3.35" |
| WIDTH DIAMETER | 21cm 8.27" |
| LENGTH PROJECTION | n/a |
| WEIGHT | 0.6KG 1.32lbs |
| LAMP HOLDER | G9 |
| MAX WATTAGE | 6.5W x 1 |
| VOLTAGE | 220/240v or 110/120v* |
| IP RATING | 20 |
| CLASS PROTECTION | I |
| SHADE CODE | GL208 |
| CABLE CHAIN BAR LENGT | 100cm 40" |
| CABLE TYPE | MLCA047 2 Core Round Brown Braid PVC |

Fixing Bracket MLWB17

* Fixing bracket may differ for UL wired products.

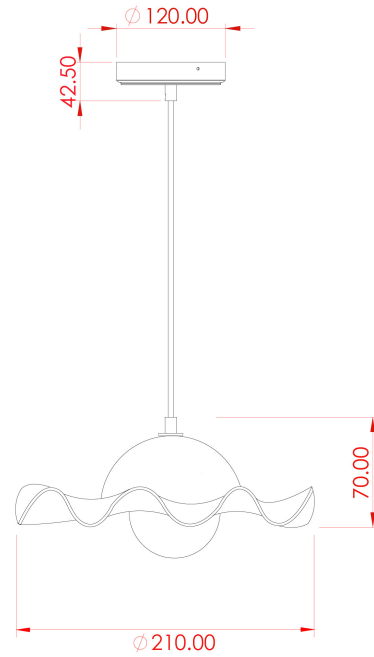


Product Notes:

1) Bulbs not included. 2) Dimensions do not include bulbs. 3) All products are individually made-to-order and therefore may differ slightly within manufacturing tolerances. 4) Cable / chain can be shortened during installation. Longer cable / chain lengths available on request. 5) Additional colour finishes may be available on request. 6) UL wired products operate at 110/120v with the appropriate lamp holder. 7) Twisted cable is not available for UL wired products. Round cable in black or brown only is supplied instead. 8) Refer to our website for a full list of terms and conditions.

RIVALE Ceramic Pendant

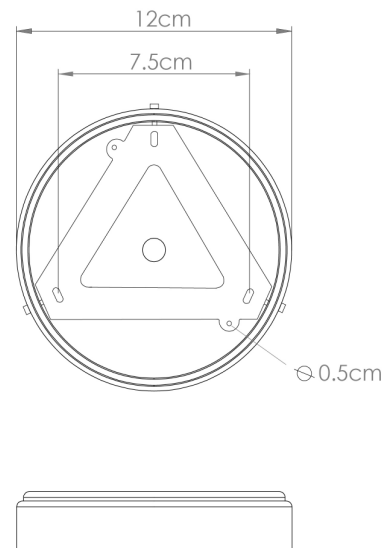
MLCMP057ANTBRSOP Antique Brass



| | |
|---------------------------|--|
| MATERIAL | Ceramic Brass Glass |
| HEIGHT | 8.5cm 3.35" |
| WIDTH DIAMETER | 21cm 8.27" |
| LENGTH PROJECTION | n/a |
| WEIGHT | 0.6KG 1.32lbs |
| LAMP HOLDER | G9 |
| MAX WATTAGE | 6.5W x 1 |
| VOLTAGE | 220/240v or 110/120v * |
| IP RATING | 20 |
| CLASS PROTECTION | I |
| SHADE CODE | GL192 |
| CABLE CHAIN BAR LENGT | 100cm 40" |
| CABLE TYPE | MLCA047 2 Core Round Brown Braid PVC |

Fixing Bracket MLWB17

* Fixing bracket may differ for UL wired products.

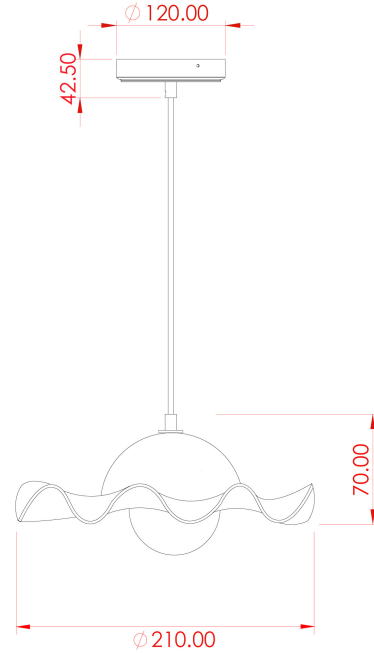


Product Notes:

1) Bulbs not included. 2) Dimensions do not include bulbs. 3) All products are individually made-to-order and therefore may differ slightly within manufacturing tolerances. 4) Cable / chain can be shortened during installation. Longer cable / chain lengths available on request. 5) Additional colour finishes may be available on request. 6) UL wired products operate at 110/120v with the appropriate lamp holder. 7) Twisted cable is not available for UL wired products. Round cable in black or brown only is supplied instead. 8) Refer to our website for a full list of terms and conditions.

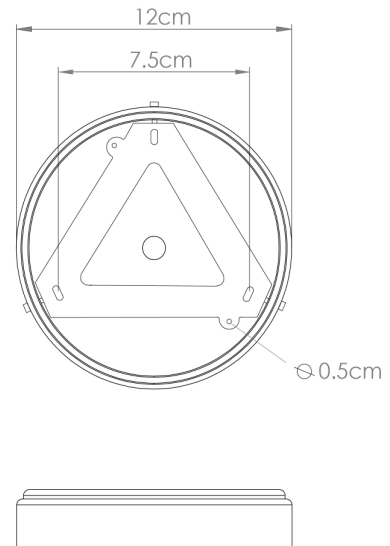
RIVALE Ceramic Pendant

MLCMP057ANTSLVCL Antique Silver



| | |
|---------------------------|--|
| MATERIAL | Ceramic Brass Glass |
| HEIGHT | 8.5cm 3.35" |
| WIDTH DIAMETER | 21cm 8.27" |
| LENGTH PROJECTION | n/a |
| WEIGHT | 0.6KG 1.32lbs |
| LAMP HOLDER | G9 |
| MAX WATTAGE | 6.5W x 1 |
| VOLTAGE | 220/240v or 110/120v * |
| IP RATING | 20 |
| CLASS PROTECTION | I |
| SHADE CODE | GL196 |
| CABLE CHAIN BAR LENGT | 100cm 40" |
| CABLE TYPE | MLCA028 2 Core Round Black Braid PVC |

Fixing Bracket MLWB17
 * Fixing bracket may differ for UL wired products.

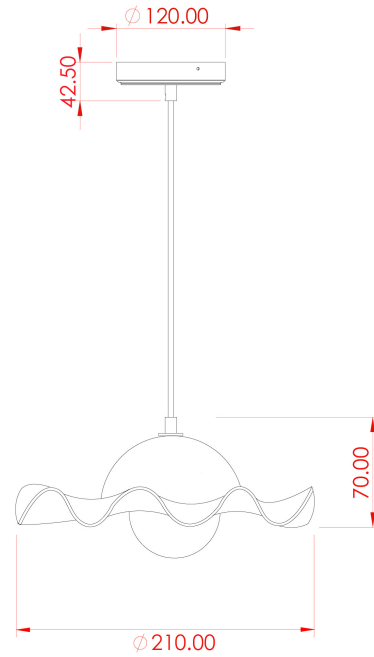


Product Notes:

1) Bulbs not included. 2) Dimensions do not include bulbs. 3) All products are individually made-to-order and therefore may differ slightly within manufacturing tolerances. 4) Cable / chain can be shortened during installation. Longer cable / chain lengths available on request. 5) Additional colour finishes may be available on request. 6) UL wired products operate at 110/120v with the appropriate lamp holder. 7) Twisted cable is not available for UL wired products. Round cable in black or brown only is supplied instead. 8) Refer to our website for a full list of terms and conditions.

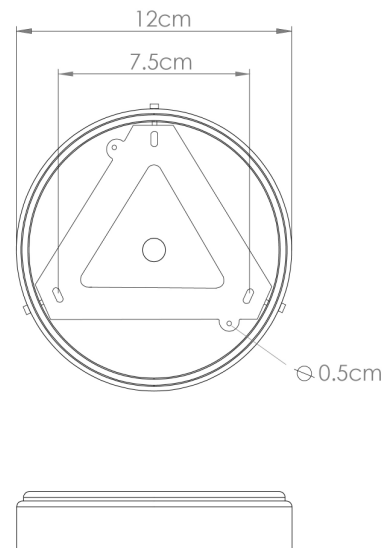
RIVALE Ceramic Pendant

MLCMP057ANTSLVFR Antique Silver



| | |
|---------------------------|--|
| MATERIAL | Ceramic Brass Glass |
| HEIGHT | 8.5cm 3.35" |
| WIDTH DIAMETER | 21cm 8.27" |
| LENGTH PROJECTION | n/a |
| WEIGHT | 0.6KG 1.32lbs |
| LAMP HOLDER | G9 |
| MAX WATTAGE | 6.5W x 1 |
| VOLTAGE | 220/240v or 110/120v * |
| IP RATING | 20 |
| CLASS PROTECTION | I |
| SHADE CODE | GL208 |
| CABLE CHAIN BAR LENGT | 100cm 40" |
| CABLE TYPE | MLCA028 2 Core Round Black Braid PVC |

Fixing Bracket MLWB17
* Fixing bracket may differ for UL wired products.

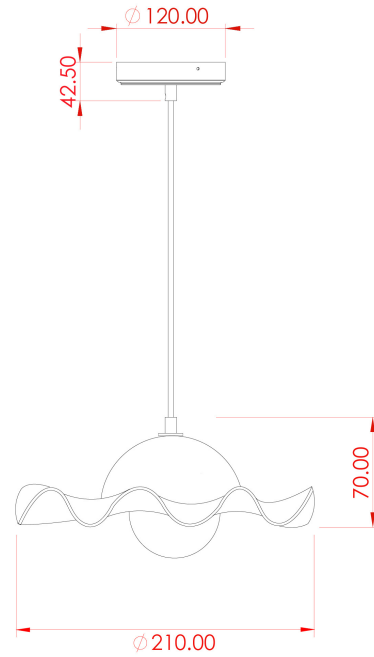


Product Notes:

1) Bulbs not included. 2) Dimensions do not include bulbs. 3) All products are individually made-to-order and therefore may differ slightly within manufacturing tolerances. 4) Cable / chain can be shortened during installation. Longer cable / chain lengths available on request. 5) Additional colour finishes may be available on request. 6) UL wired products operate at 110/120v with the appropriate lamp holder. 7) Twisted cable is not available for UL wired products. Round cable in black or brown only is supplied instead. 8) Refer to our website for a full list of terms and conditions.

RIVALE Ceramic Pendant

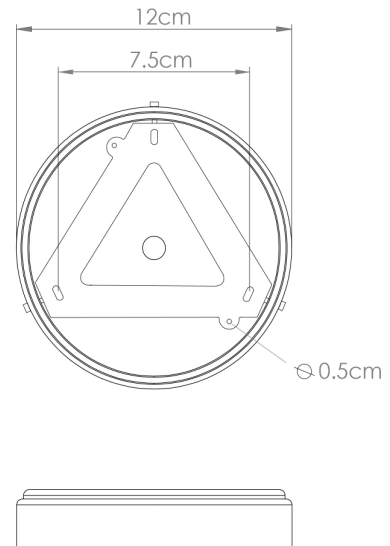
MLCMP057ANTSLVOP Antique Silver



| | |
|---------------------------|--|
| MATERIAL | Ceramic Brass Glass |
| HEIGHT | 8.5cm 3.35" |
| WIDTH DIAMETER | 21cm 8.27" |
| LENGTH PROJECTION | n/a |
| WEIGHT | 0.6KG 1.32lbs |
| LAMP HOLDER | G9 |
| MAX WATTAGE | 6.5W x 1 |
| VOLTAGE | 220/240v or 110/120v * |
| IP RATING | 20 |
| CLASS PROTECTION | I |
| SHADE CODE | GL192 |
| CABLE CHAIN BAR LENGT | 100cm 40" |
| CABLE TYPE | MLCA028 2 Core Round Black Braid PVC |

Fixing Bracket MLWB17

* Fixing bracket may differ for UL wired products.



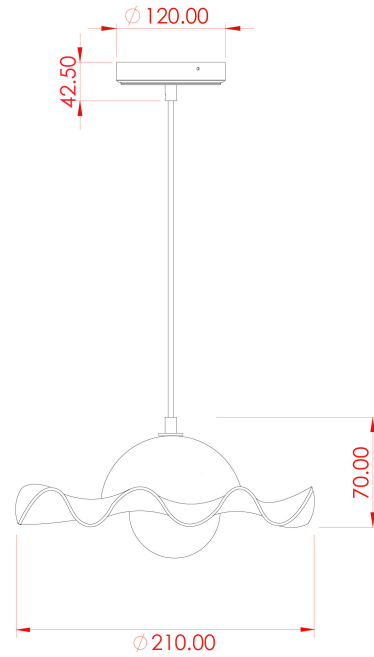
Product Notes:

1) Bulbs not included. 2) Dimensions do not include bulbs. 3) All products are individually made-to-order and therefore may differ slightly within manufacturing tolerances. 4) Cable / chain can be shortened during installation. Longer cable / chain lengths available on request. 5) Additional colour finishes may be available on request. 6) UL wired products operate at 110/120v with the appropriate lamp holder. 7) Twisted cable is not available for UL wired products. Round cable in black or brown only is supplied instead. 8) Refer to our website for a full list of terms and conditions.



RIVALE Ceramic Pendant

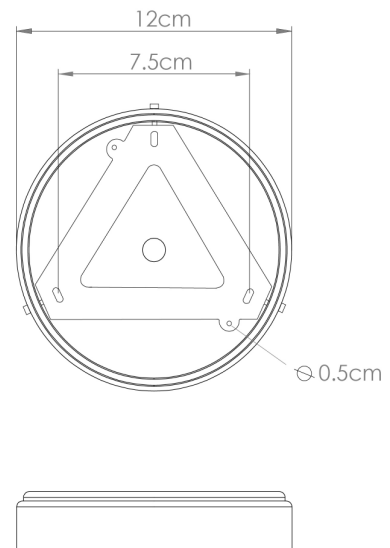
MLCMP057PCMBKCL Matt Black



| | |
|---------------------------|--|
| MATERIAL | Ceramic Brass Glass |
| HEIGHT | 8.5cm 3.35" |
| WIDTH DIAMETER | 21cm 8.27" |
| LENGTH PROJECTION | n/a |
| WEIGHT | 0.6KG 1.32lbs |
| LAMP HOLDER | G9 |
| MAX WATTAGE | 6.5W x 1 |
| VOLTAGE | 220/240v or 110/120v * |
| IP RATING | 20 |
| CLASS PROTECTION | I |
| SHADE CODE | GL196 |
| CABLE CHAIN BAR LENGT | 100cm 40" |
| CABLE TYPE | MLCA028 2 Core Round Black Braid PVC |

Fixing Bracket MLWB17

* Fixing bracket may differ for UL wired products.

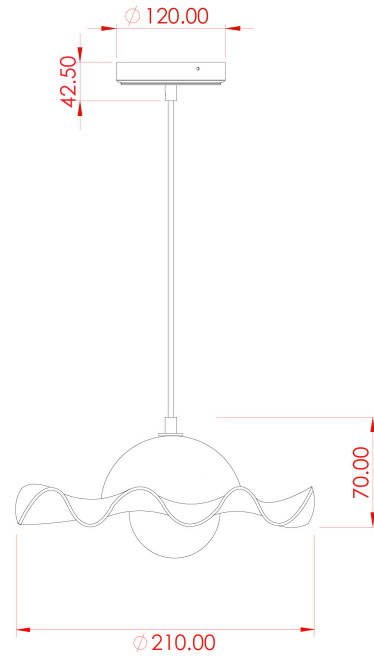


Product Notes:

1) Bulbs not included. 2) Dimensions do not include bulbs. 3) All products are individually made-to-order and therefore may differ slightly within manufacturing tolerances. 4) Cable / chain can be shortened during installation. Longer cable / chain lengths available on request. 5) Additional colour finishes may be available on request. 6) UL wired products operate at 110/120v with the appropriate lamp holder. 7) Twisted cable is not available for UL wired products. Round cable in black or brown only is supplied instead. 8) Refer to our website for a full list of terms and conditions.

RIVALE Ceramic Pendant

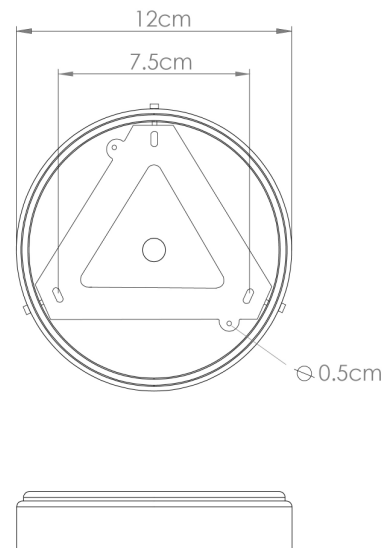
MLCMP057PCMBKFR Matt Black



| | |
|---------------------------|--|
| MATERIAL | Ceramic Brass Glass |
| HEIGHT | 8.5cm 3.35" |
| WIDTH DIAMETER | 21cm 8.27" |
| LENGTH PROJECTION | n/a |
| WEIGHT | 0.6KG 1.32lbs |
| LAMP HOLDER | G9 |
| MAX WATTAGE | 6.5W x 1 |
| VOLTAGE | 220/240v or 110/120v * |
| IP RATING | 20 |
| CLASS PROTECTION | I |
| SHADE CODE | GL208 |
| CABLE CHAIN BAR LENGT | 100cm 40" |
| CABLE TYPE | MLCA028 2 Core Round Black Braid PVC |

Fixing Bracket MLWB17

* Fixing bracket may differ for UL wired products.

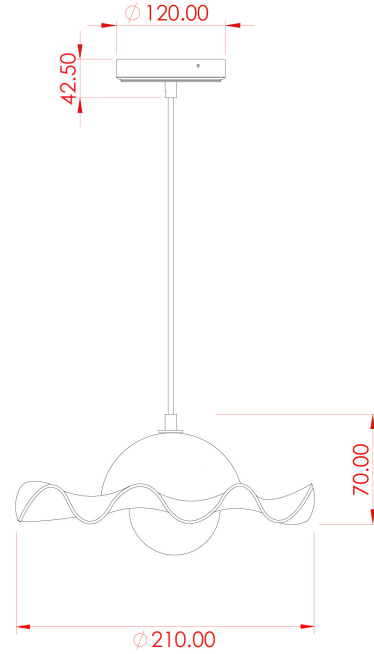


Product Notes:

1) Bulbs not included. 2) Dimensions do not include bulbs. 3) All products are individually made-to-order and therefore may differ slightly within manufacturing tolerances. 4) Cable / chain can be shortened during installation. Longer cable / chain lengths available on request. 5) Additional colour finishes may be available on request. 6) UL wired products operate at 110/120v with the appropriate lamp holder. 7) Twisted cable is not available for UL wired products. Round cable in black or brown only is supplied instead. 8) Refer to our website for a full list of terms and conditions.

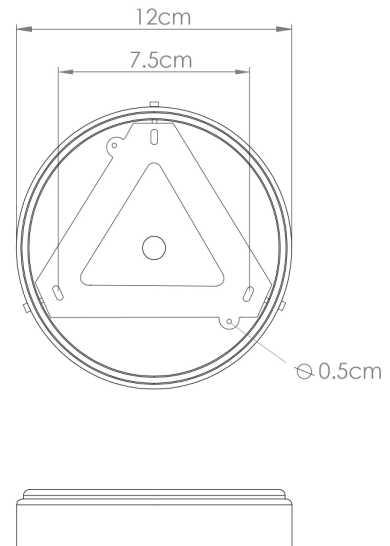
RIVALE Ceramic Pendant

MLCMP057PCMBKOP Matt Black



| | |
|---------------------------|--|
| MATERIAL | Ceramic Brass Glass |
| HEIGHT | 8.5cm 3.35" |
| WIDTH DIAMETER | 21cm 8.27" |
| LENGTH PROJECTION | n/a |
| WEIGHT | 0.6KG 1.32lbs |
| LAMP HOLDER | G9 |
| MAX WATTAGE | 6.5W x 1 |
| VOLTAGE | 220/240v or 110/120v * |
| IP RATING | 20 |
| CLASS PROTECTION | I |
| SHADE CODE | GL192 |
| CABLE CHAIN BAR LENGT | 100cm 40" |
| CABLE TYPE | MLCA028 2 Core Round Black Braid PVC |

Fixing Bracket MLWB17
 * Fixing bracket may differ for UL wired products.



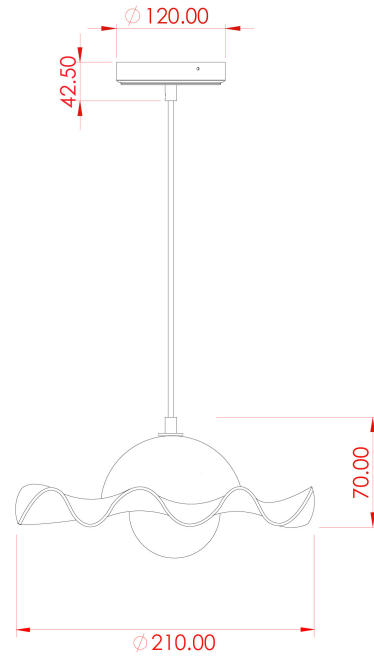
Product Notes:

1) Bulbs not included. 2) Dimensions do not include bulbs. 3) All products are individually made-to-order and therefore may differ slightly within manufacturing tolerances. 4) Cable / chain can be shortened during installation. Longer cable / chain lengths available on request. 5) Additional colour finishes may be available on request. 6) UL wired products operate at 110/120v with the appropriate lamp holder. 7) Twisted cable is not available for UL wired products. Round cable in black or brown only is supplied instead. 8) Refer to our website for a full list of terms and conditions.



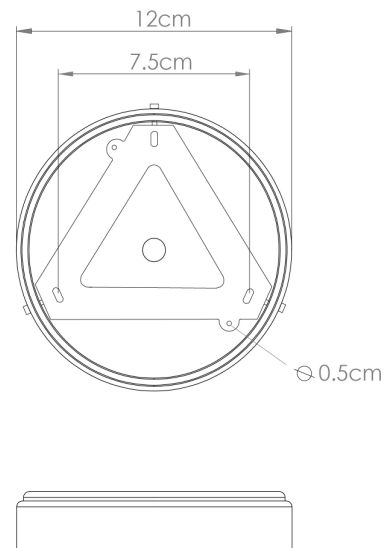
RIVALE Ceramic Pendant

MLCMP057POLBRSC L Polished Brass



| | |
|---------------------------|--|
| MATERIAL | Ceramic Brass Glass |
| HEIGHT | 8.5cm 3.35" |
| WIDTH DIAMETER | 21cm 8.27" |
| LENGTH PROJECTION | n/a |
| WEIGHT | 0.6KG 1.32lbs |
| LAMP HOLDER | G9 |
| MAX WATTAGE | 6.5W x 1 |
| VOLTAGE | 220/240v or 110/120v* |
| IP RATING | 20 |
| CLASS PROTECTION | I |
| SHADE CODE | GL196 |
| CABLE CHAIN BAR LENGT | 100cm 40" |
| CABLE TYPE | MLCA028 2 Core Round Black Braid PVC |

Fixing Bracket MLWB17
* Fixing bracket may differ for UL wired products.

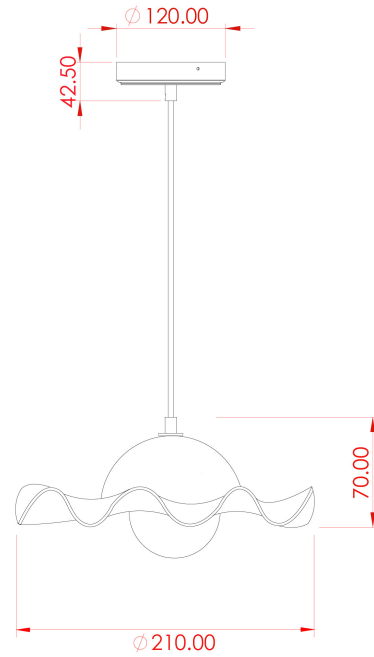


Product Notes:

1) Bulbs not included. 2) Dimensions do not include bulbs. 3) All products are individually made-to-order and therefore may differ slightly within manufacturing tolerances. 4) Cable / chain can be shortened during installation. Longer cable / chain lengths available on request. 5) Additional colour finishes may be available on request. 6) UL wired products operate at 110/120v with the appropriate lamp holder. 7) Twisted cable is not available for UL wired products. Round cable in black or brown only is supplied instead. 8) Refer to our website for a full list of terms and conditions.

RIVALE Ceramic Pendant

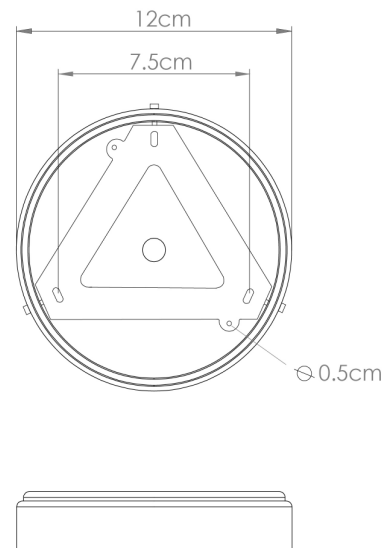
MLCMP057POLBRSFR Polished Brass



| | |
|---------------------------|--|
| MATERIAL | Ceramic Brass Glass |
| HEIGHT | 8.5cm 3.35" |
| WIDTH DIAMETER | 21cm 8.27" |
| LENGTH PROJECTION | n/a |
| WEIGHT | 0.6KG 1.32lbs |
| LAMP HOLDER | G9 |
| MAX WATTAGE | 6.5W x 1 |
| VOLTAGE | 220/240v or 110/120v* |
| IP RATING | 20 |
| CLASS PROTECTION | I |
| SHADE CODE | GL208 |
| CABLE CHAIN BAR LENGT | 100cm 40" |
| CABLE TYPE | MLCA028 2 Core Round Black Braid PVC |

Fixing Bracket MLWB17

* Fixing bracket may differ for UL wired products.

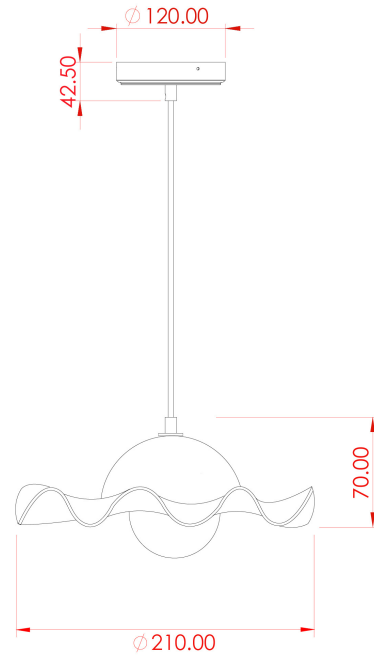


Product Notes:

1) Bulbs not included. 2) Dimensions do not include bulbs. 3) All products are individually made-to-order and therefore may differ slightly within manufacturing tolerances. 4) Cable / chain can be shortened during installation. Longer cable / chain lengths available on request. 5) Additional colour finishes may be available on request. 6) UL wired products operate at 110/120v with the appropriate lamp holder. 7) Twisted cable is not available for UL wired products. Round cable in black or brown only is supplied instead. 8) Refer to our website for a full list of terms and conditions.

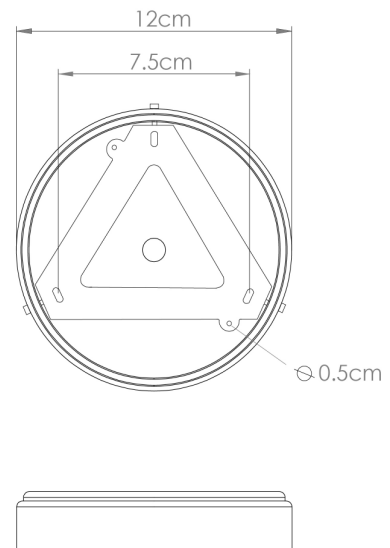
RIVALE Ceramic Pendant

MLCMP057POLBRSOP Polished Brass



| | |
|---------------------------|--|
| MATERIAL | Ceramic Brass Glass |
| HEIGHT | 8.5cm 3.35" |
| WIDTH DIAMETER | 21cm 8.27" |
| LENGTH PROJECTION | n/a |
| WEIGHT | 0.6KG 1.32lbs |
| LAMP HOLDER | G9 |
| MAX WATTAGE | 6.5W x 1 |
| VOLTAGE | 220/240v or 110/120v* |
| IP RATING | 20 |
| CLASS PROTECTION | I |
| SHADE CODE | GL192 |
| CABLE CHAIN BAR LENGT | 100cm 40" |
| CABLE TYPE | MLCA028 2 Core Round Black Braid PVC |

Fixing Bracket MLWB17
* Fixing bracket may differ for UL wired products.

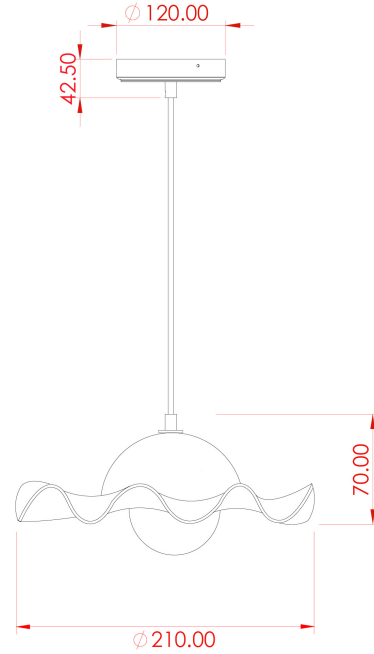


Product Notes:

1) Bulbs not included. 2) Dimensions do not include bulbs. 3) All products are individually made-to-order and therefore may differ slightly within manufacturing tolerances. 4) Cable / chain can be shortened during installation. Longer cable / chain lengths available on request. 5) Additional colour finishes may be available on request. 6) UL wired products operate at 110/120v with the appropriate lamp holder. 7) Twisted cable is not available for UL wired products. Round cable in black or brown only is supplied instead. 8) Refer to our website for a full list of terms and conditions.

RIVALE Ceramic Pendant

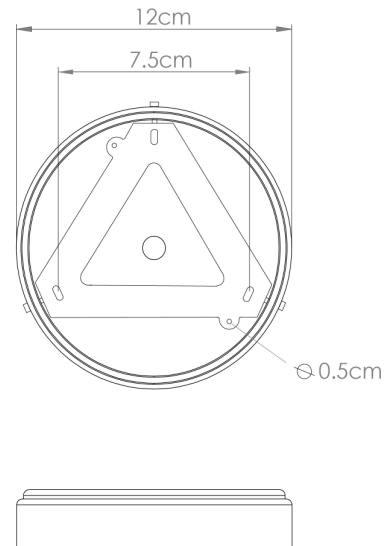
MLCMP057SATBRSC L Satin Brass



| | |
|---------------------------|--|
| MATERIAL | Ceramic Brass Glass |
| HEIGHT | 8.5cm 3.35" |
| WIDTH DIAMETER | 21cm 8.27" |
| LENGTH PROJECTION | n/a |
| WEIGHT | 0.6KG 1.32lbs |
| LAMP HOLDER | G9 |
| MAX WATTAGE | 6.5W x 1 |
| VOLTAGE | 220/240v or 110/120v * |
| IP RATING | 20 |
| CLASS PROTECTION | I |
| SHADE CODE | GL196 |
| CABLE CHAIN BAR LENGT | 100cm 40" |
| CABLE TYPE | MLCA028 2 Core Round Black Braid PVC |

Fixing Bracket MLWB17

* Fixing bracket may differ for UL wired products.

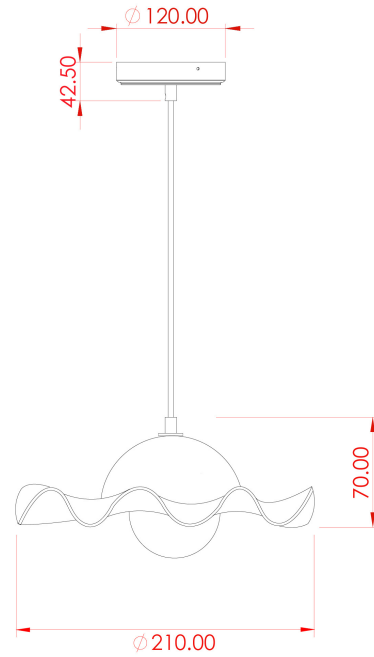


Product Notes:

1) Bulbs not included. 2) Dimensions do not include bulbs. 3) All products are individually made-to-order and therefore may differ slightly within manufacturing tolerances. 4) Cable / chain can be shortened during installation. Longer cable / chain lengths available on request. 5) Additional colour finishes may be available on request. 6) UL wired products operate at 110/120v with the appropriate lamp holder. 7) Twisted cable is not available for UL wired products. Round cable in black or brown only is supplied instead. 8) Refer to our website for a full list of terms and conditions.

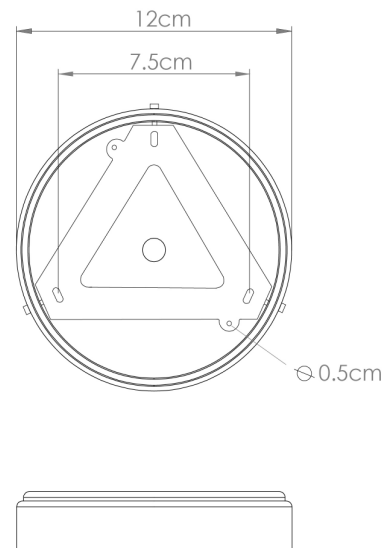
RIVALE Ceramic Pendant

MLCMP057SATBRSFR Satin Brass



| | |
|---------------------------|--|
| MATERIAL | Ceramic Brass Glass |
| HEIGHT | 8.5cm 3.35" |
| WIDTH DIAMETER | 21cm 8.27" |
| LENGTH PROJECTION | n/a |
| WEIGHT | 0.6KG 1.32lbs |
| LAMP HOLDER | G9 |
| MAX WATTAGE | 6.5W x 1 |
| VOLTAGE | 220/240v or 110/120v * |
| IP RATING | 20 |
| CLASS PROTECTION | I |
| SHADE CODE | GL208 |
| CABLE CHAIN BAR LENGT | 100cm 40" |
| CABLE TYPE | MLCA028 2 Core Round Black Braid PVC |

Fixing Bracket MLWB17
* Fixing bracket may differ for UL wired products.

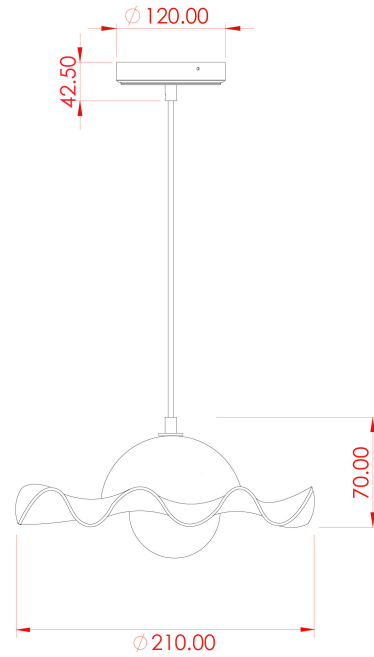


Product Notes:

1) Bulbs not included. 2) Dimensions do not include bulbs. 3) All products are individually made-to-order and therefore may differ slightly within manufacturing tolerances. 4) Cable / chain can be shortened during installation. Longer cable / chain lengths available on request. 5) Additional colour finishes may be available on request. 6) UL wired products operate at 110/120v with the appropriate lamp holder. 7) Twisted cable is not available for UL wired products. Round cable in black or brown only is supplied instead. 8) Refer to our website for a full list of terms and conditions.

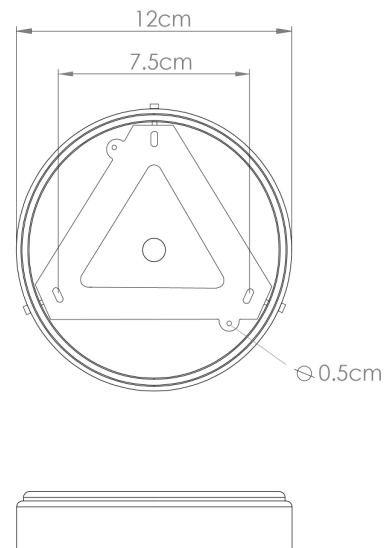
RIVALE Ceramic Pendant

MLCMP057SATBRSOP Satin Brass



| | |
|---------------------------|--|
| MATERIAL | Ceramic Brass Glass |
| HEIGHT | 8.5cm 3.35" |
| WIDTH DIAMETER | 21cm 8.27" |
| LENGTH PROJECTION | n/a |
| WEIGHT | 0.6KG 1.32lbs |
| LAMP HOLDER | G9 |
| MAX WATTAGE | 6.5W x 1 |
| VOLTAGE | 220/240v or 110/120v * |
| IP RATING | 20 |
| CLASS PROTECTION | I |
| SHADE CODE | GL192 |
| CABLE CHAIN BAR LENGT | 100cm 40" |
| CABLE TYPE | MLCA028 2 Core Round Black Braid PVC |

Fixing Bracket MLWB17
 * Fixing bracket may differ for UL wired products.



Product Notes:

1) Bulbs not included. 2) Dimensions do not include bulbs. 3) All products are individually made-to-order and therefore may differ slightly within manufacturing tolerances. 4) Cable / chain can be shortened during installation. Longer cable / chain lengths available on request. 5) Additional colour finishes may be available on request. 6) UL wired products operate at 110/120v with the appropriate lamp holder. 7) Twisted cable is not available for UL wired products. Round cable in black or brown only is supplied instead. 8) Refer to our website for a full list of terms and conditions.